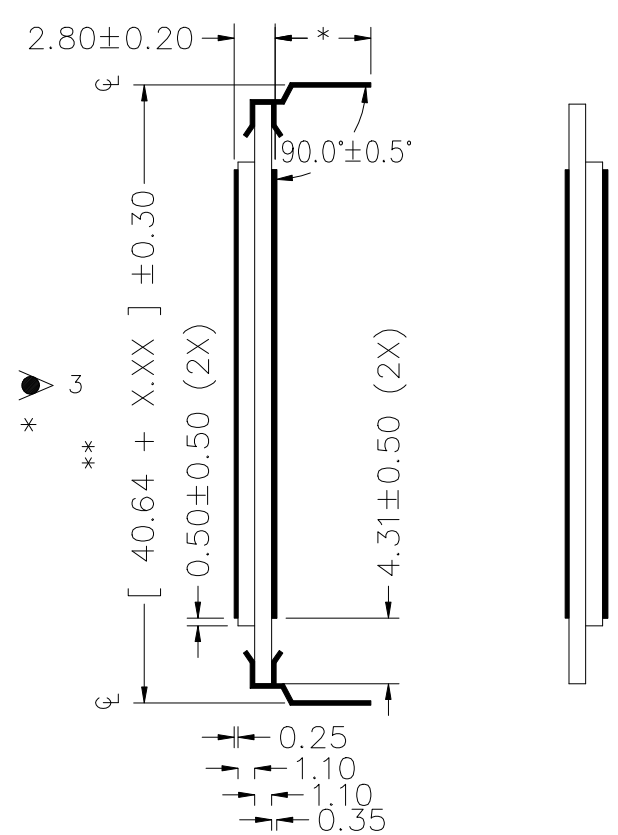
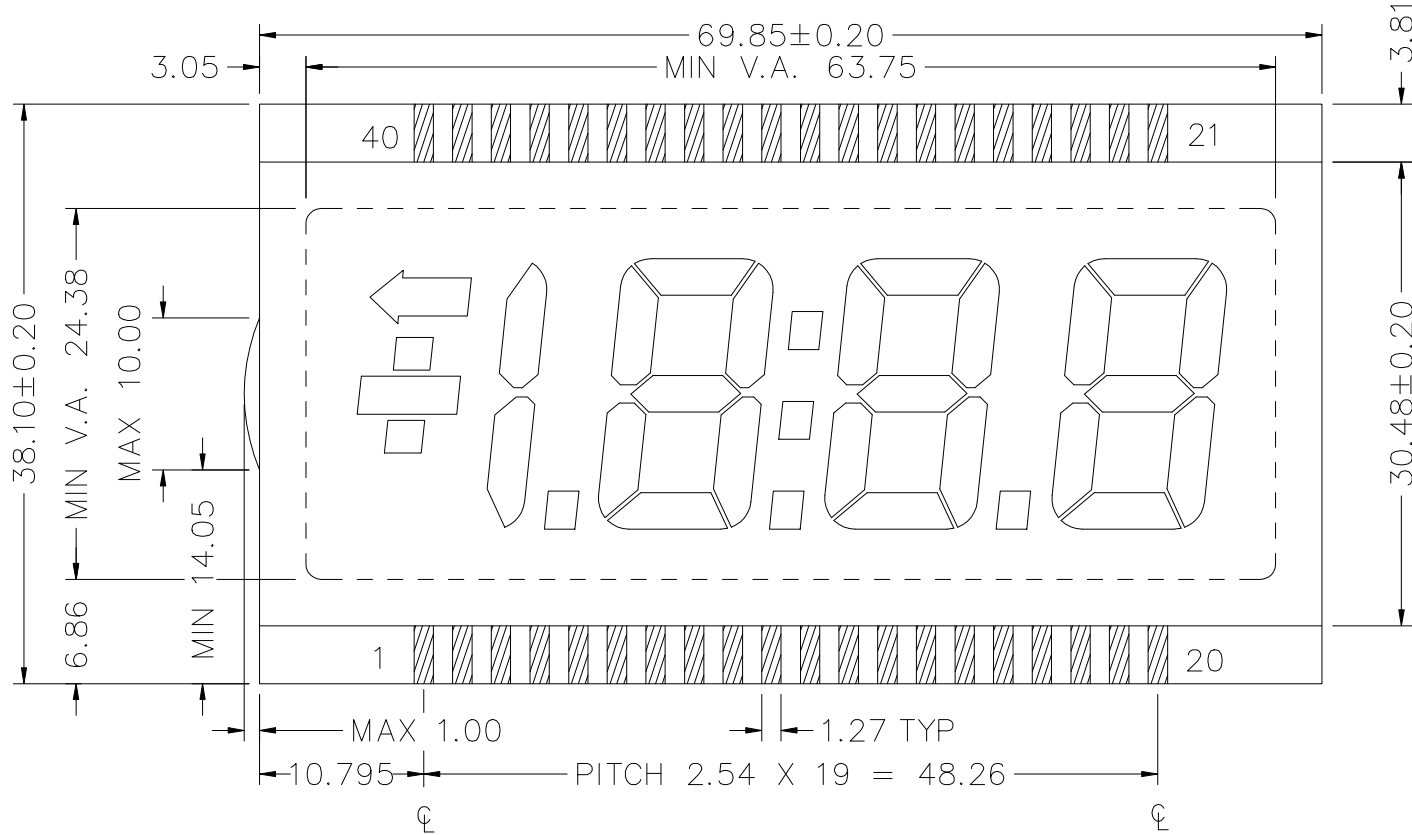


# VI-315-DP, VI-315-2

12



DRIVER : Intersil ICL7106, Teledyne 7106



6

-DP

-2

# Pin Information -- VI-315

DIGIT HEIGHT 17.8mm (0.7")

Pin No.	Segment	Pin No.	Segment	Pin No.	Segment	Pin No.	Segment
1	COM	11	3C	21	1A	31	3F
2	-	12	3DP	22	1F	32	3G
3	B-C	13	2E	23	1G	33	NC
4	NC	14	2D	24	2B	34	NC
5	NC	15	2C	25	2A	35	NC
6	NC	16	2DP	26	2F	36	NC
7	NC	17	1E	27	2G	37	NC
8	4DP	18	1D	28	L	38	i@
9	3E	19	1C	29	3B	39	:
10	3D	20	1B	30	3A	40	COM