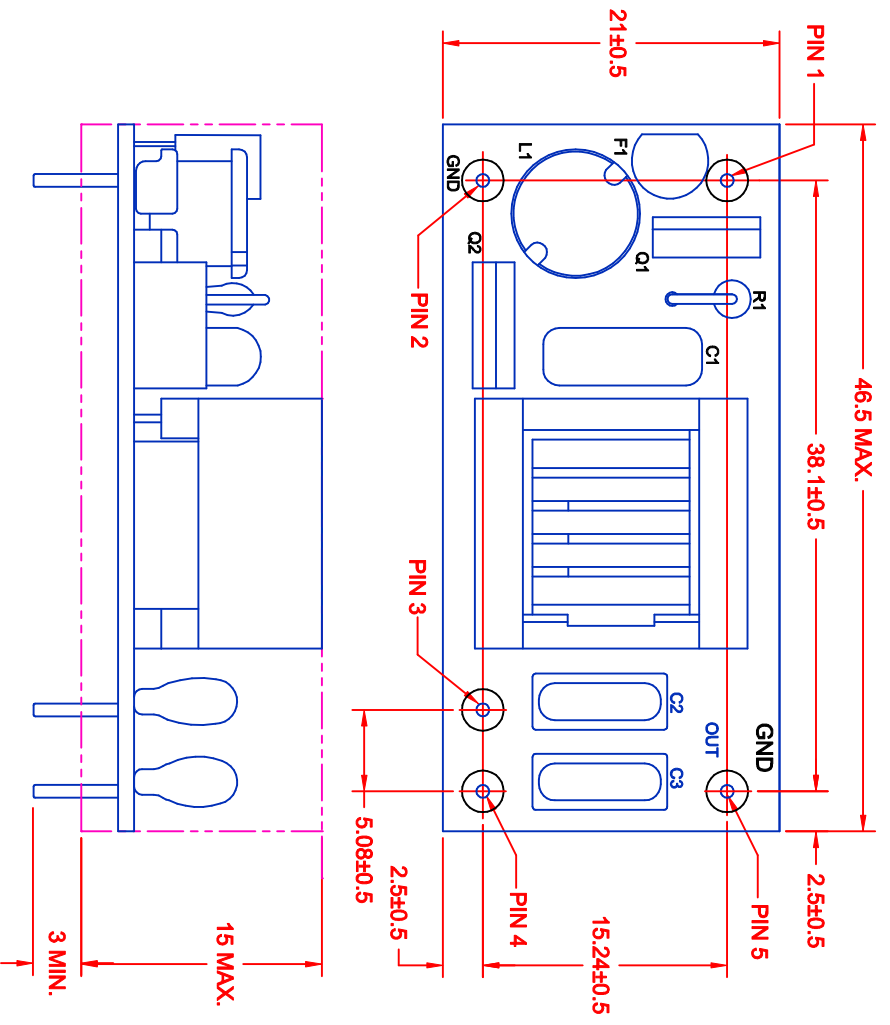


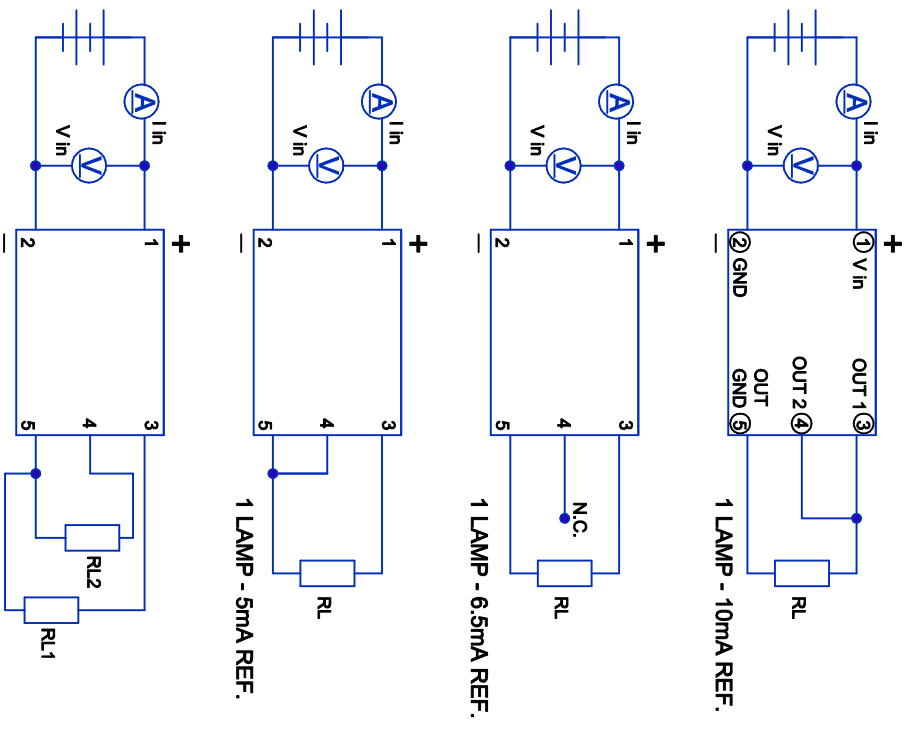
REV.	DESCRIPTION/ECO NO.	DATE
	RELEASED	3/10/03



CAUTION:
REVERSE POLARITY TO INVERTER
INPUT WILL CAUSE AN OPEN CIRCUIT
IN FUSE F1.

BOARD PIN #	INPUT
1	+V (V In)
2	V (GND)
3	OUT 1
4	OUT 2
5	OUT (GND)

CHARACTERISTICS	MIN	TYP	MAX
INPUT VOLTAGE: (Vdc)	21.6	24.0	26.4
INPUT CURRENT: (mA)	80	140	200
OUTPUT VOLTAGE: (Vrms)	900	1000	1100
OUTPUT CURRENT (mA) x 2	4.5	5.5	6.5
OUTPUT FREQUENCY: (KHz)	20	30	45
OPERATING TEMP: (CELSIUS)	0	25	50



METRIC	DIMENSIONS ARE IN MILLIMETERS	TITLE
 THIRD ANGLE PROJECTION	TOLERANCE UNLESS OTHERWISE SPECIFIED 1 PL +/- 0.3 2 PL +/- 0	COMPONENTS CORPORATION 24 V CCFL POWER SUPPLY
DRAWN BY: L. WENGSTROM APP'D BY: F.D. DATE: 3/10/03	DATE: 3/10/03	FSC# NO. 55335 DRAWING NO. BXA-24529
- CAD DRAWING - MANUAL REVISIONS NOT PERMITTED		SCALE: NONE REVISED DATE: 3/10/03
		REV. NO. OF SHEET