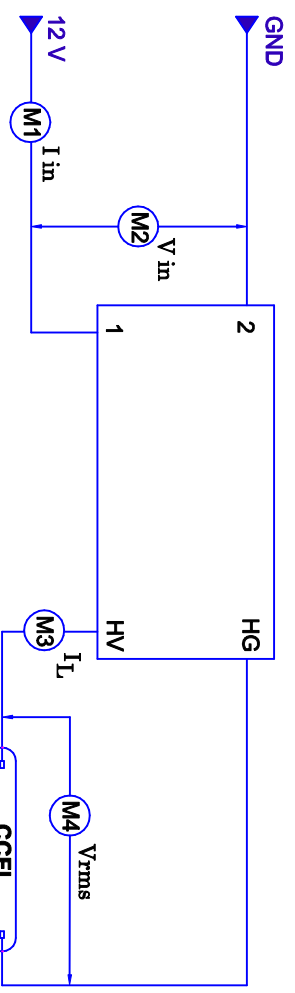
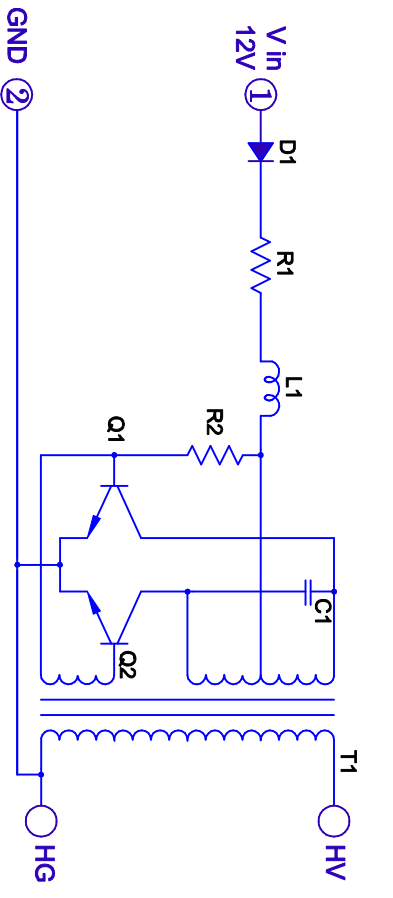


TOLERANCE	
L < 20	±0.2
20 ≤ L < 50	±0.3
50 ≤ L < 100	±0.4
100 ≤ L	±0.5

CHARACTERISTICS			
	MIN	TYP	MAX
INPUT VOLTAGE: (vdc)	10.0	12.0	15.0
INPUT CURRENT: (mA)	130	150	170
OUTPUT VOLTAGE: (Vrms)	700	800	900
OUTPUT CURRENT (maRms)	3.0	4.0	5.0
OUTPUT FREQUENCY: (kHz)	85	105	125
OPERATING TEMP: (CELSIUS)	0	25	50

BOARD PIN #	INPUT
1	+V (V in)
2	V (GND)
HV	V OUT
HG	OUT GND

M1 - INPUT CURRENT (I in)
 M2 - INPUT VOLTAGE (V in)
 M3 - OUTPUT CURRENT (I out)
 M4 - OUTPUT VOLTAGE (V out)



METRIC		DIMENSIONS ARE IN MILLIMETERS	
THIRD ANGLE PROJECTION		TOLERANCE UNLESS OTHERWISE SPECIFIED	
1 PL +/- 0.2		2 PL +/- 0.2	
ANGLE +/- 0			
DRAWN BY L. WENGSTROM		DATE 9/25/01	
APPROV BY F.D.		DATE 9/25/01	
SIZE A		FSCM NO. 55335	
SCALE NONE		DRAWING NO. BXA-12577	
COMPONENTS CORPORATION			
12V CCFL POWER SUPPLY			
- CAD DRAWING -		REVISION NO.	
MANUAL REVISIONS NOT PERMITTED		DATE 9/25/01	
		REV. NO.	
		SHEET OF	