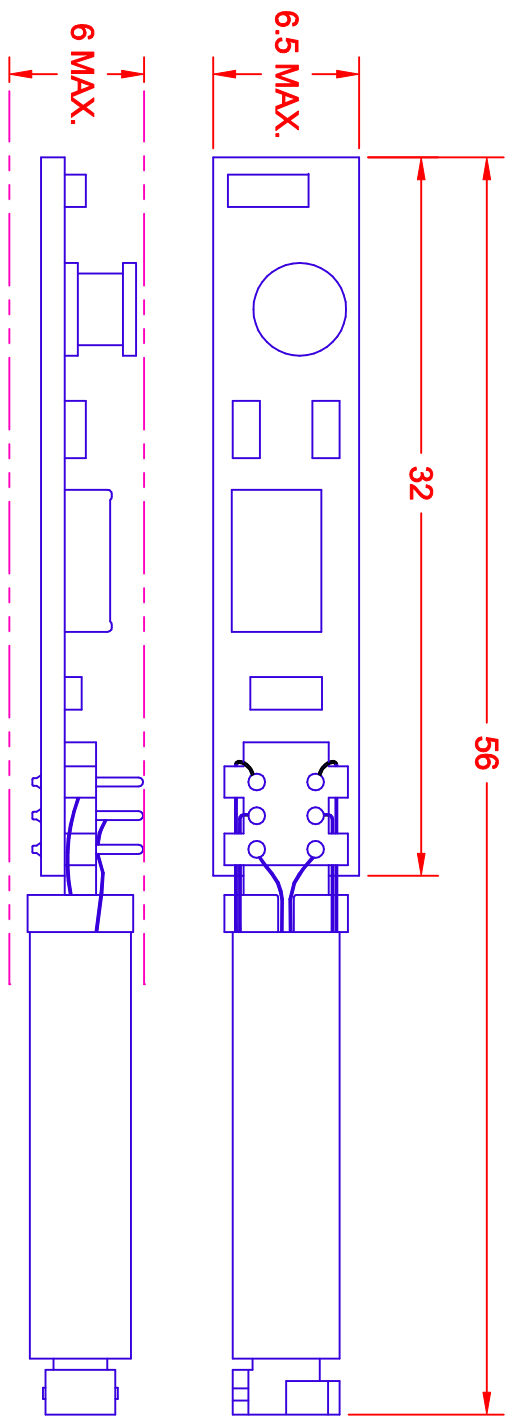
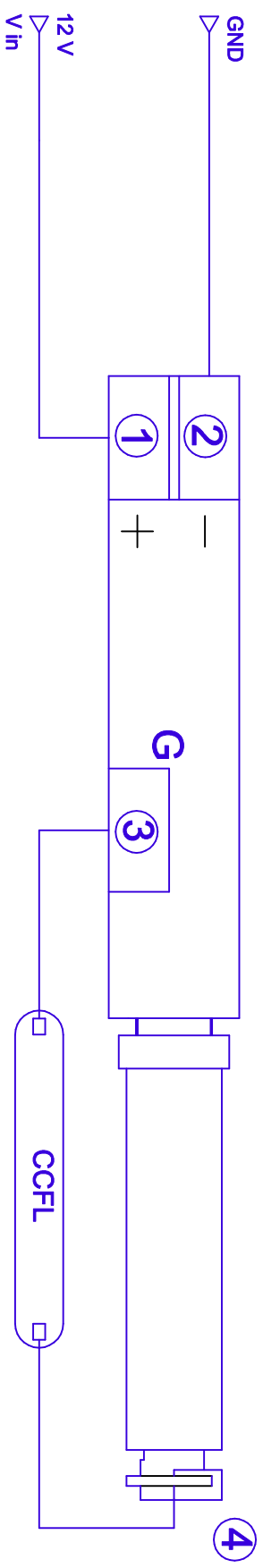


REV.	DESCRIPTION/ECO NO.	DATE
	RELEASED AS CAD DRW.	7/11/03
A	OPER. SPEC. CORRECTION	9/24/03

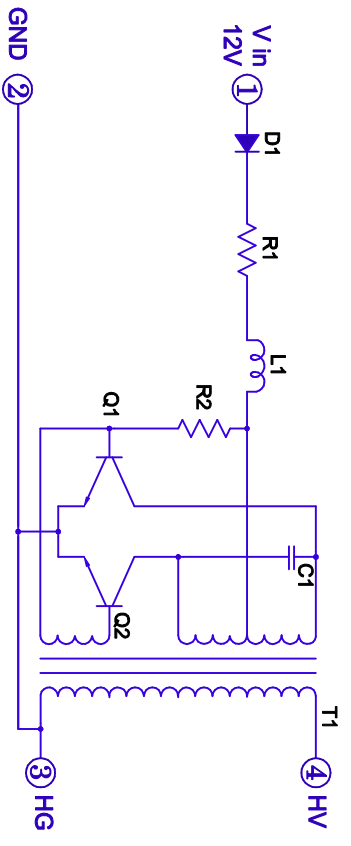


BOARD PIN #	INPUT
1	+V (V <sub>in</sub> )
2	V (GND)
3	OUT
4	GND V <sub>OUT</sub>



**OPERATING SPECIFICATIONS**

CHARACTERISTICS	MIN	TYP	MAX
INPUT VOLTAGE: (Vdc)	10.0	12.0	15.0
INPUT CURRENT: (mA)	130	150	170
OUTPUT VOLTAGE: (Vrms)	700	800	900
OUTPUT CURRENT (mA)	3.0	4.0	5.0
OUTPUT FREQUENCY: (KHz)	85	105	125
OPERATING TEMP: (CELSIUS)	0	25	50



METRIC		DIMENSIONS ARE IN MILLIMETERS		TITLE	
	THIRD ANGLE PROJECTION	TOLERANCE UNLESS OTHERWISE SPECIFIED		12V CCFL INVERTER	
		1 PL +/-	0.2	COMPONENTS CORPORATION	
		2 PL +/-	0	DRAWING NO. BXA-12576	
		ANGLE +/-	0	REV. NO. A	
DRAWN BY	L. WENGSTROM	APPR'D BY	J.K.	DATE	7/11/03
DATE	9/24/03	SCALE	NONE	RELEASED DATE	9/24/03
- CAD DRAWING -					
MANUAL REVISIONS NOT PERMITTED					