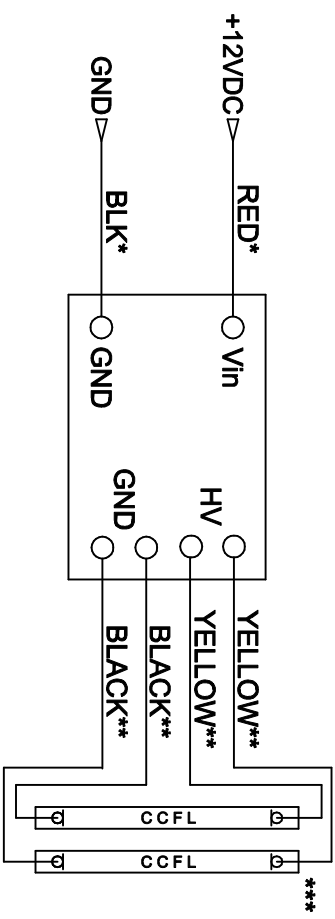
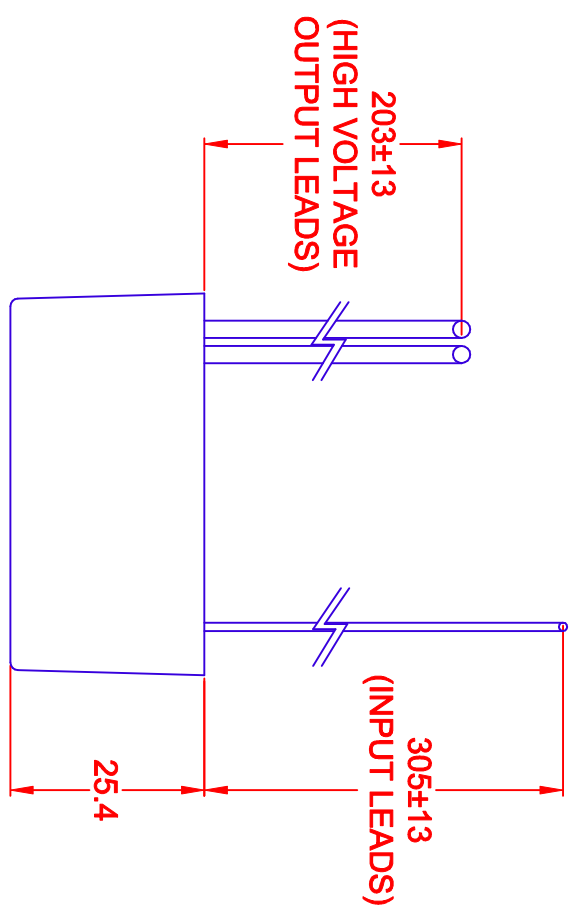
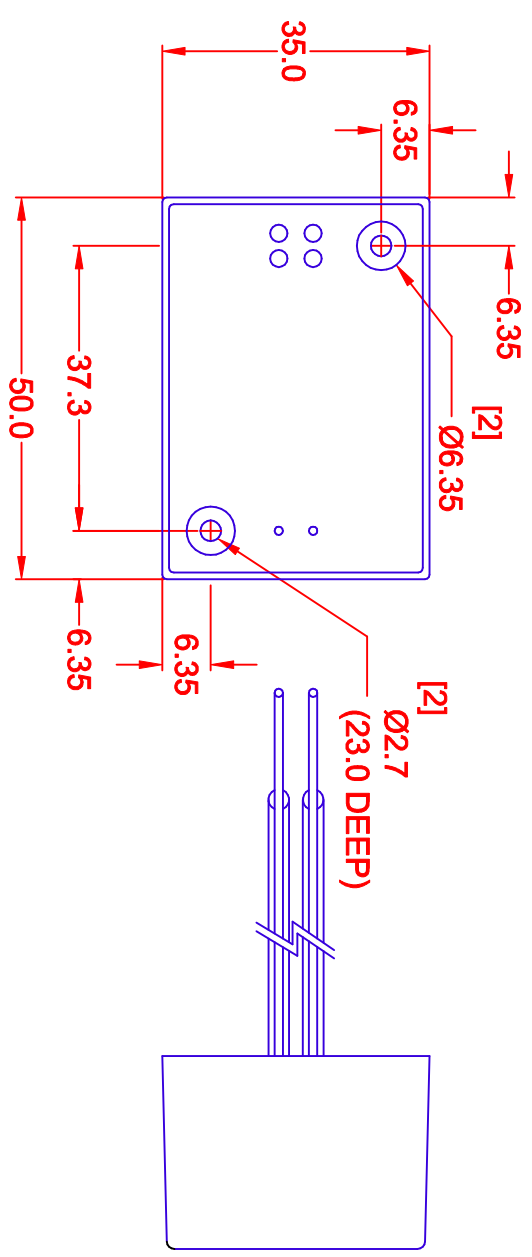


REV.	DESCRIPTION/ECO NO.	DATE
A	PROD. RELEASED	11/4/98
B	WIRE DESIGN PLACEMENT CORRECT.	12/9/03



- \* REVERSE POLARITY TO INVERTER INPUT WILL CAUSE AN OPEN CIRCUIT IN INTERNAL FUSE.
- \*\* WIRE SIZE 22 AWG, SOFT FLEXIBLE PVC INDUPLICATION NOMINAL O.D. 2.3mm TEMPERATURE RANGE -80 TO +105 C.
- \*\*\* REFERENCE DRAWING BXA-12529 FOR SINGLE LAMP OPERATION.

**OPERATING SPECIFICATIONS**

CHARACTERISTICS	MIN	TYP	MAX
INPUT VOLTAGE: (Vdc)	10.0	12.0	13.2
INPUT CURRENT: (mA)	200	260	500
OUTPUT VOLTAGE: (Vrms)	950	1000	1050
OUTPUT CURRENT 2 X (mA)	4.5	5.5	6.5
OUTPUT FREQUENCY: (KHZ)	25	35	45
OPERATING TEMP: (CELSIUS)	0	25	50

<b>METRIC</b>	DIMENSIONS ARE IN MILLIMETERS	<b>TITLE</b>	
THIRD ANGLE PROJECTION	TOLERANCE UNLESS OTHERWISE SPECIFIED	12 VDC INPUT, DUAL OUTPUT, ENCAPSULATED CCFL INVERTER	
1 PL +/- 0.5	2 PL +/- 0.3	SIZE	FCM NO.
ANGLE +/- 0	0	A	55335
DRAWN BY: L. WENGSTROM	APPRD BY: J.K.	DATE	12/9/03
- CAD DRAWING -		SCALE	NONE
MANUAL REVISIONS NOT PERMITTED		RELEASED DATE	11/4/98
		REVISION DATE	12/9/03
		REV. NO.	B
		SHEET	1 OF 1

**COMPONENTS CORPORATION**