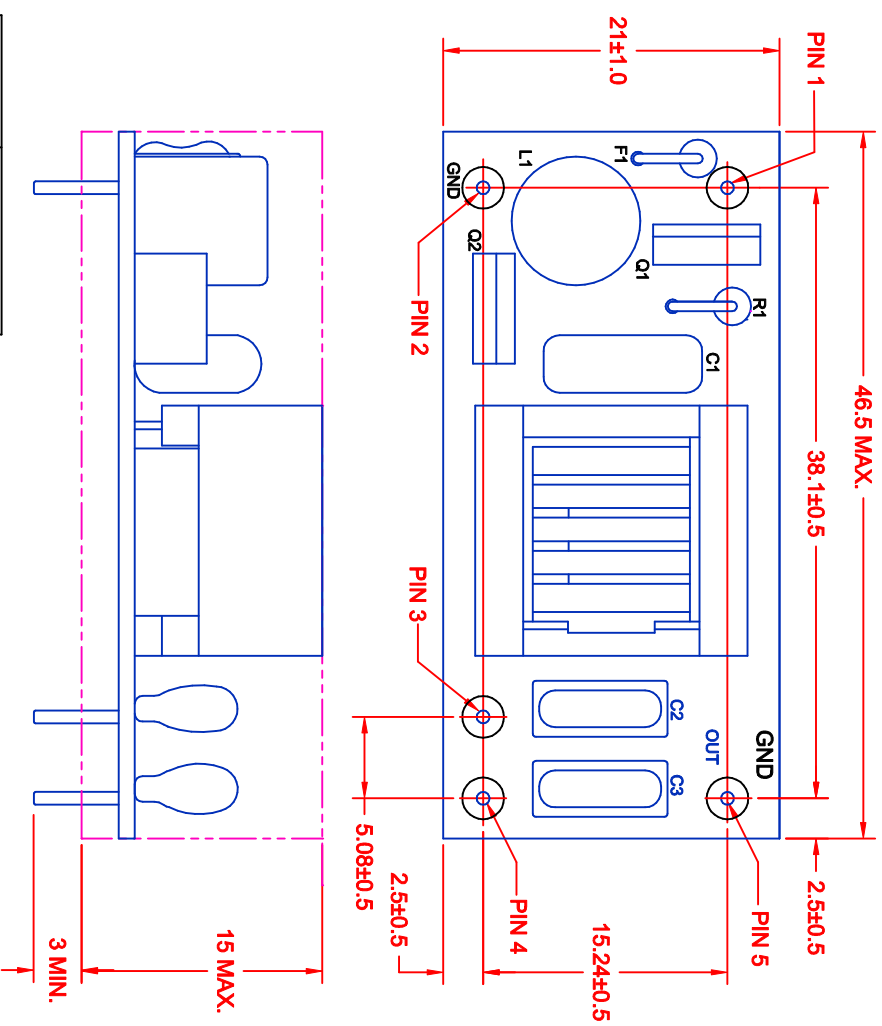


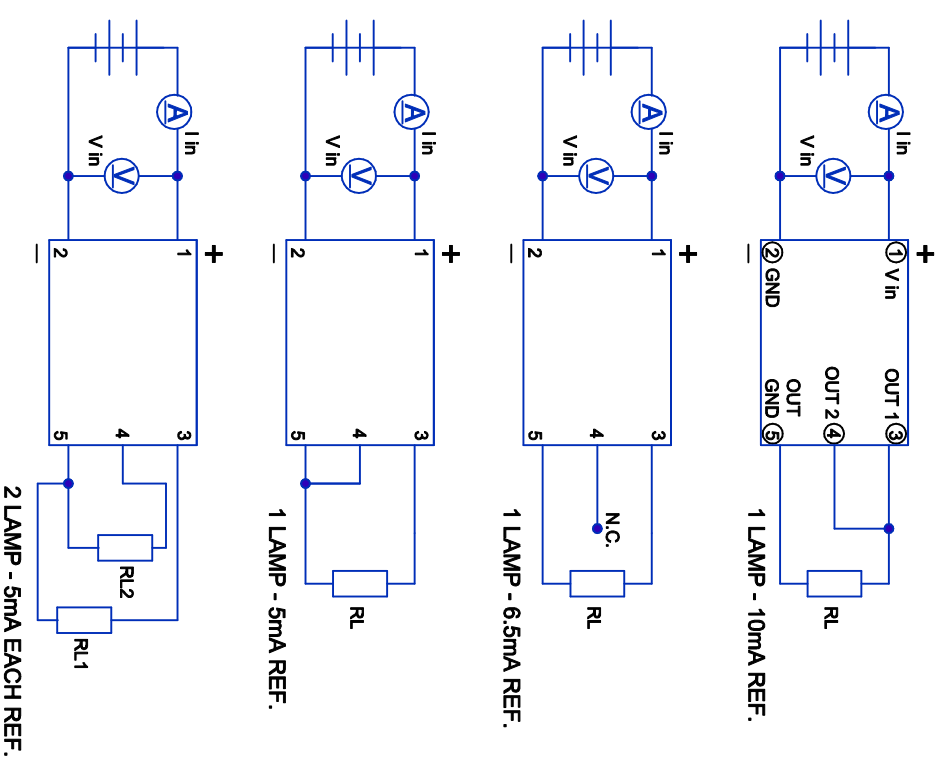
| REV. | DESCRIPTION/ECCO NO. | DATE    |
|------|----------------------|---------|
|      | RELEASED             | 3/10/03 |
| A    | DIM. CHANGE          | 3/27/03 |
|      |                      |         |
|      |                      |         |
|      |                      |         |



**CAUTION:**  
**REVERSE POLARITY TO INVERTER**  
**INPUT WILL CAUSE AN OPEN CIRCUIT**  
**IN FUSE F1.**

| BOARD PIN # | INPUT     |
|-------------|-----------|
| 1           | +V (V In) |
| 2           | V (GND)   |
| 3           | OUT 1     |
| 4           | OUT2      |
| 5           | OUT (GND) |

| CHARACTERISTICS           | MIN  | TYP  | MAX  |
|---------------------------|------|------|------|
| INPUT VOLTAGE: (Vdc)      | 10.8 | 12.0 | 13.2 |
| INPUT CURRENT: (mA)       | 220  | 260  | 500  |
| OUTPUT VOLTAGE: (Vrms)    | 950  | 1000 | 1050 |
| OUTPUT CURRENT (mA) x 2   | 4.5  | 5.5  | 6.5  |
| OUTPUT FREQUENCY: (KHz)   | 25   | 35   | 45   |
| OPERATING TEMP: (CELSIUS) | 0    | 25   | 50   |



| METRIC                         |                        | DIMENSIONS ARE IN MILLIMETERS        |       | TITLE                  |          |
|--------------------------------|------------------------|--------------------------------------|-------|------------------------|----------|
|                                | THIRD ANGLE PROJECTION | TOLERANCE UNLESS OTHERWISE SPECIFIED |       | COMPONENTS CORPORATION |          |
|                                |                        | 1 PL +/- 0.3                         |       | 12 V CCFL POWER SUPPLY |          |
|                                |                        | 2 PL +/- 0                           |       | DRAWING NO. BXA-12529  |          |
|                                |                        | ANGLE +/-                            |       | REV. A                 |          |
|                                |                        | 0                                    |       | SHEET                  |          |
| DRAWN BY                       | APPR'D BY              | DATE                                 | SCALE | REVISED DATE           | REV. NO. |
| L. WENGSTROM                   |                        | 3/27/03                              | A     | 3/10/03                | A        |
| - CAD DRAWING -                |                        |                                      | OF    |                        |          |
| MANUAL REVISIONS NOT PERMITTED |                        |                                      |       |                        |          |