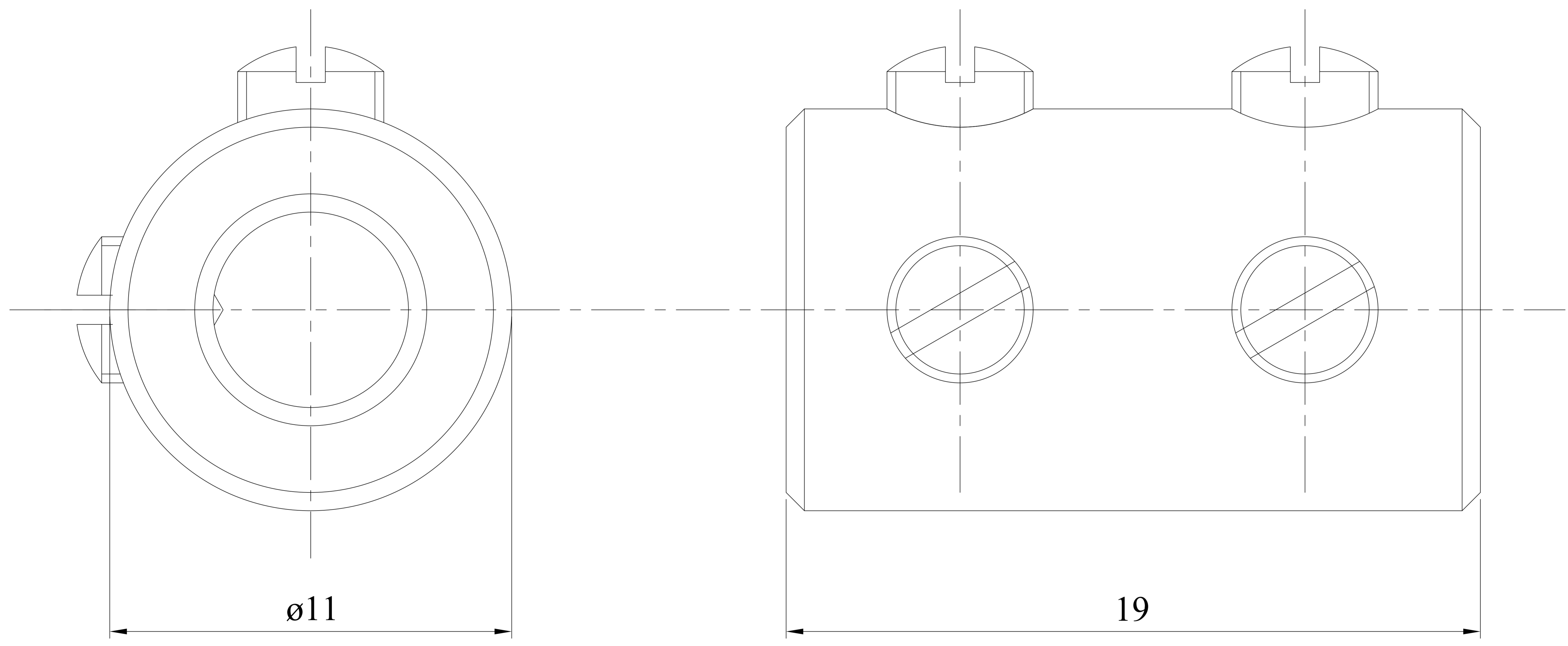


Manufactured from aluminium; incorporates for screw fixings
 Suits 0.25" diameter spindles.

V:\CAD\Logos\Rohscomp.jpg

Dimensions



DrgNo 353-0000		TITLE SPINDLE COUPLING				ALL DIMENSIONS IN MM ANGLES IN DECIMAL DEGREES		
N:\SETUP\MD_TEMPLATES\Deltron components.BMP	ISSUE 1	GENERAL SPECIFICATION FOR 353-0000		CUSTOMER		FILTER REF		
				Aprvd Date 11/06/03	Aprvd By MC	Drwn by BS	Scale: NTS	Sheet 1 / 1
© Deltron Emcon Limited E-Mail components@deltron-emcon.com, Website www.deltron-emcon.com. Phone +44 1724 273200 Fax +44 1724 270230								N:\SETUP\MD_TEMPLATES\EMCON LOGO.jpg