

# Single-axis controller S3



The single-axis control S3 is a rugged switching device for hoisting applications. The modular design enables the switching device to be used universally. The single-axis controller is resistant to oil, maritime conditions e.g. offshore /vessels, UV radiation typically from the sun.

## Technical data

Mechanical life S3	12 million operating cycles
Operating temperature	-40°C to +85°C
Degree of protection	IP66 front



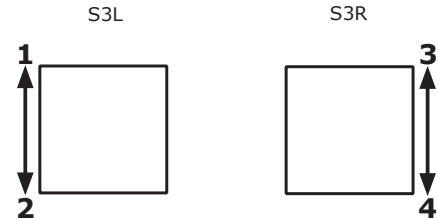
	S3L	S5	Q	-2 R P	-B	-A05 P484	-E1291	-S...	-X
<b>Basic unit</b>									
S3L	Single-axis controller left								
<b>Control-handle extended</b>									
S5	-20 mm								
<b>Grip- control-handle left</b>									
Q	T-grip								
<b>Axis 1</b>									
2	2 contacts (1,5A 24 V DC13)								
R	Friction brake								
P	Potentiometer								
<b>Cover housing</b>									
B	Cover housing								
<b>Description axis 1 (direction 1-2)</b>									
A05	Arrangement MSP21								
P484	Potentiometer T318 2 x 5 kOhm								
<b>Interface</b>									
E1291	Voltage output 0...5...10 V								
<b>Plug connectors</b>									
S..	Standard plug connectors (see page 138)								
<b>Special model</b>									
X	Special / customer specified								

Example

1

	S3L	S5	Q	-2 R P	-B	-A05	P484	-E1291	-S...	-X
<b>Basic unit</b>										
S3L	Single-axis controller, control-handle left									
S3R	Single-axis controller, control-handle right									
<b>Control-handle extended</b>										
	Standard 148 mm*									
S5	-20 mm									
S8	+20 mm									
	*Only possible in combination with handle!									
<b>Grip</b>										
	Knob									
D	Push button									
Q	T-grip									
QD	T-grip with push button side									

**Identification of the installation variants with switching directions:**



	S3L	S5	Q	-2 R P	-B	-A05	P484	-E1291	-S...	-X	
<b>Axis 1: direction 1-2 left</b>											
1	1 contact										
2	2 contacts										
3	3 contacts										
	Standard contact - arrangement see page 140										
	z.B.										
	A98										
	A05										
	A050										
	A99 contact - arrangement according customer request										
R	Friction brake										
(P)	Possibility of mounting potentiometer and encoder (Gessmann-types)										
P	Potentiometer	P484	T318 2x5 kOhm								I max. 1 mA
	More potentiometers on request!										
H	Hall-Potentiometer	E14811		0,5...2,5...4,5 V / 4,5...2,5...0,5 V							

	S3L	S5	Q	-2 R P	-B	-A05	P484	-E1291	-S...	-X
<b>Cover housing</b>										
B	Cover housing									
<b>Interface (description on the following pages)</b>										
	Potentiometer output									
E1xx	Voltage output									
E2xx	Current output									
<b>Special model</b>										
X	Special / customer specified									

## Voltage output

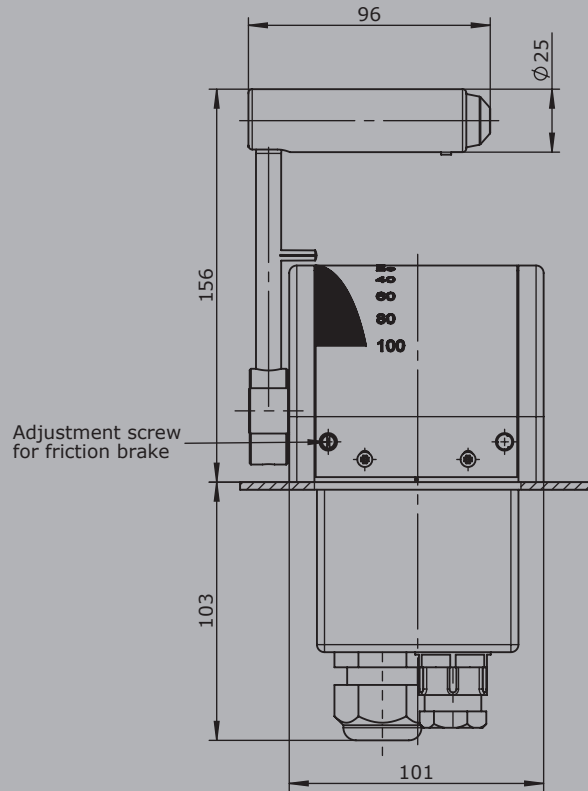
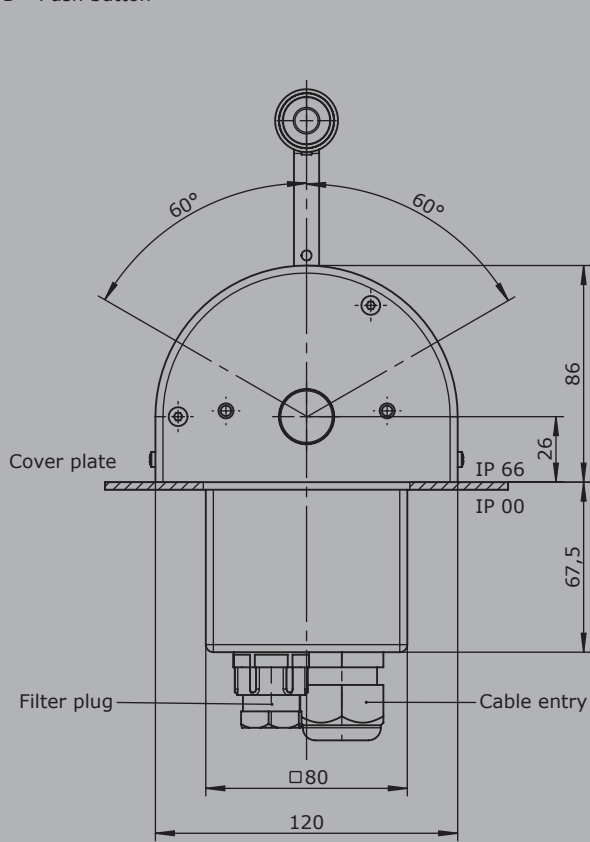
Supply voltage	11,5-32 V DC		
Wiring	Cable 500 mm long without plug connector		
	Optional with plug connector ( <i>standard plug connectors see page 138</i> )		
...5...10V	1 axis		E112 1
10...0...10V	1 axis		E141 1
-10...0...+10V	1 axis		E140 1
<i>Voltage output with other value on request!</i>			

## Current output

Supply voltage	18-36 V DC		
Wiring	Cable 500mm long without plug connector		
	Optional with plug connector ( <i>standard plug connectors see page 138</i> )		
4...12...20 mA	1 axis		E209 1
20...4...20 mA	1 axis		E217 1

T - grip  
D= Push button

1



Knob solid  
D= Push button

