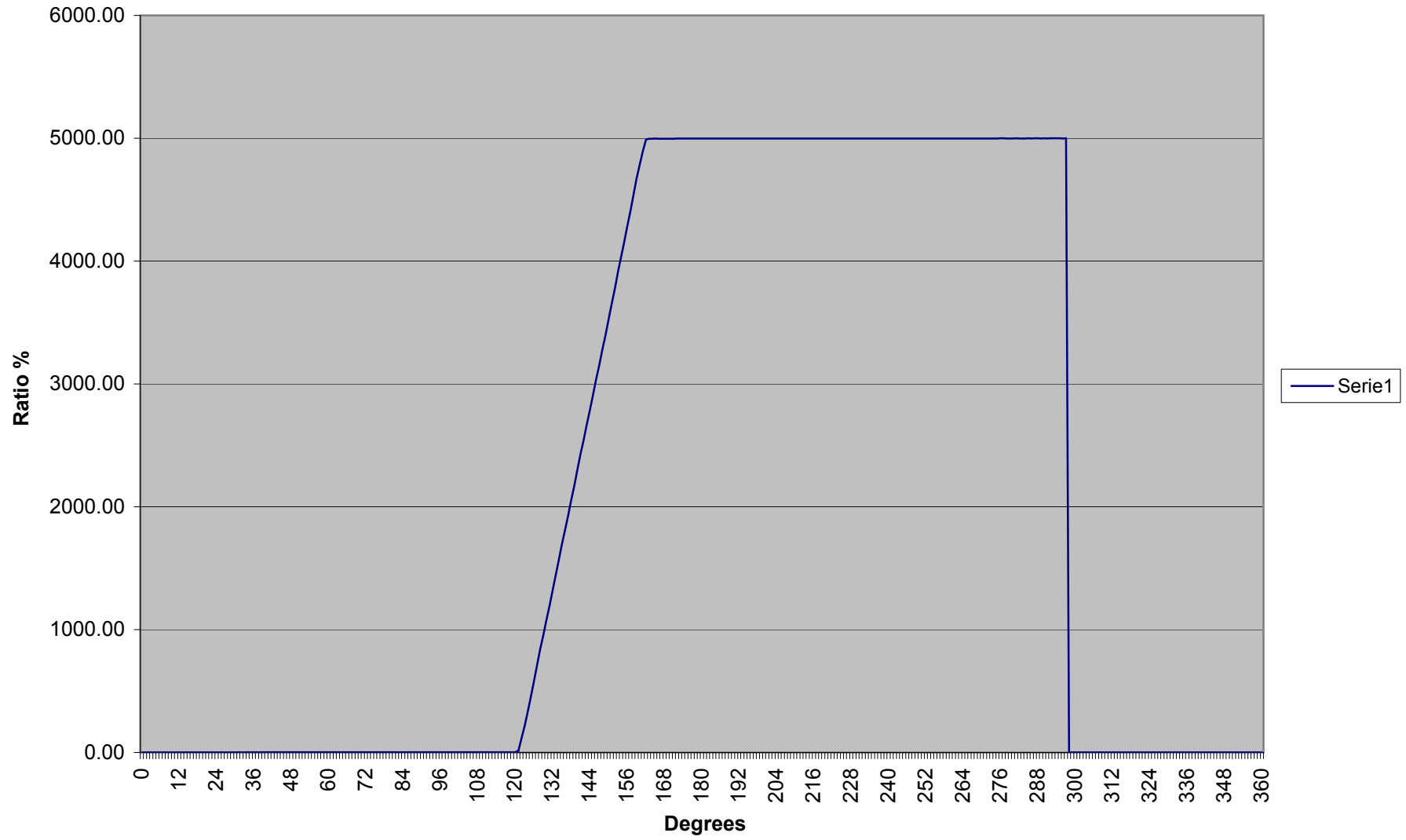


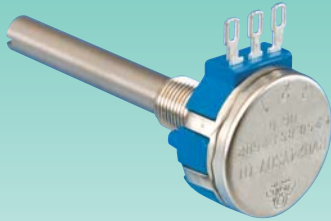


### RVQ24YS08-03 50,8SB502



# Long Life POTENTIOMETERS

## RVQ24YS series



RVQ24YS07 series



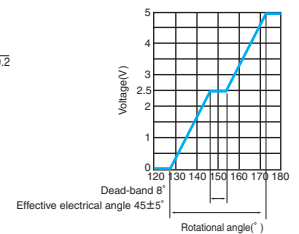
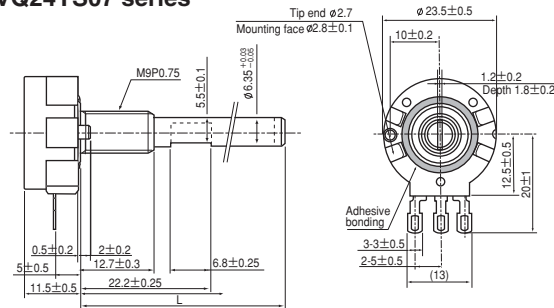
RVQ24YS08 series



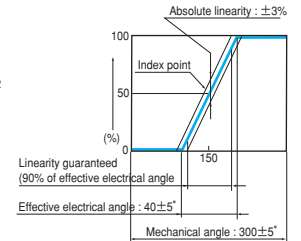
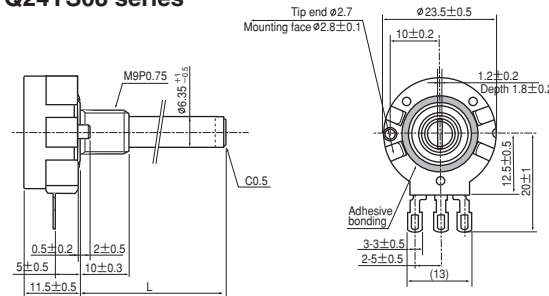
● There are various length of shafts available.

### Dimensions

#### RVQ24YS07 series



#### RVQ24YS08 series



### Key Features

- Long life
- Linearity
- Robust (Stainless shaft)
- Waterproof

### Potential Applications

- Electric wheelchair
- Manual controls (Throttle, Joystick)
- Electric vehicles
- Personal mobility
- Off road vehicles, Golf cart, ATV's (All Terrain Vehicles)

### Specifications

Rotational Life	2 million cycles
Electrical Travel	$45^\circ \pm 5\%$ , $40^\circ \pm 5\%$
Mechanical Adjustment Travel	$300^\circ \pm 5\%$ .
Size & Construction	$\phi 24$ mm / 10 mm, 12.7 mm $\phi 24$ mm / Bushing 10 mm, 12.7 mm / Waterproof
Resistance Range	5k $\Omega$ Deadband of 8° optionally available for 45° type
Resistance Tolerance	$\pm 10\%$ ,
Power Rating	0.15 W at 40°C, 0W at 85°C
Operating Temp. Range	-10°C to +85°C
Waterproof	IP64

### Marking on rear side

