




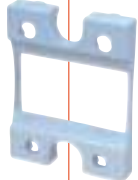
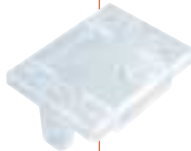





Solid State Relay, Accessories

	General accessories			
Types	Thermal paste	DIN-rail adaptor	Varistors	Fans 24 VDC
				
Dimensions (mm) H x W x D (mounted relay)				40 x 40 x 109 (RHSF40) 60 x 60 x 109 (RHSF60)
Description	Essential accessory for relay mounting on heatsink	DIN-rail adaptor for heatsinks. Integrated in kits. RHS100, RHS300, RHS301.	Solid State Relay protection against voltage transient (voltage surge).	RHSF 40-24 to be mounted with RHS45A, RHS45B, RHSF 60-24 to be mounted with RHS90, RHS112,
References	HTS02S	RHS00	250 V: RV02 420 V: RV04 510 V: RV05 625 V: RV06 680 V: RV07	RHSF 40-24 RHSF 60-24
Types	RPM1	RMIP20	BBR	Fastons
				
Dimensions (mm) H x W x D	23.6 x 85 x 12.5	58 x 45 x 9	59 x 45 x 25.5	4.8/6.3
Description	Din-rail adaptor for PCB relays. (Relay excluded)	Clip-on IP20 protection Cover for RAM, RA, RS.	Protection cover for RA, RB, RD serie.	Screw Faston terminals for RAM, RM, RS serie.
References	RPM1	RMIP20	BBR	RMF0 (flat) RMF4 (45° angle)



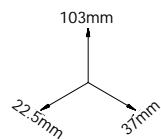
Solid State Relays Accessories Type RHS... Heatsink Assemblies



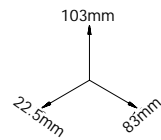
RHS23A and RHS23B

Heatsink assembly with DIN-rail adapter for RX type SSR.
Type RHS23A and RHS23B are a complete kit not including the SSR.

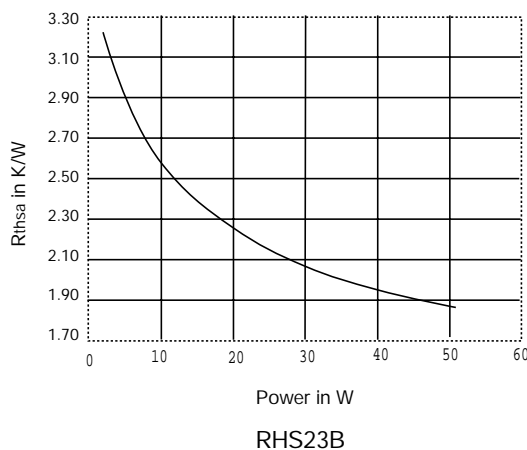
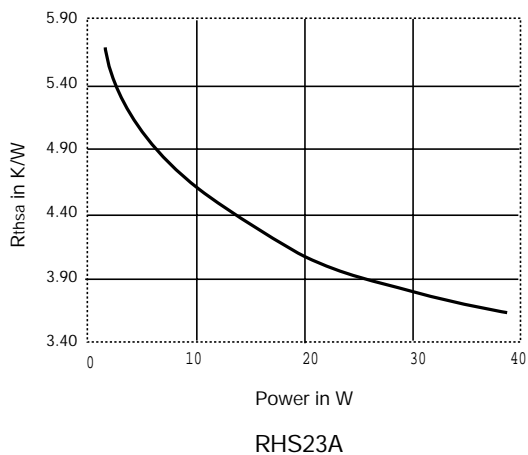
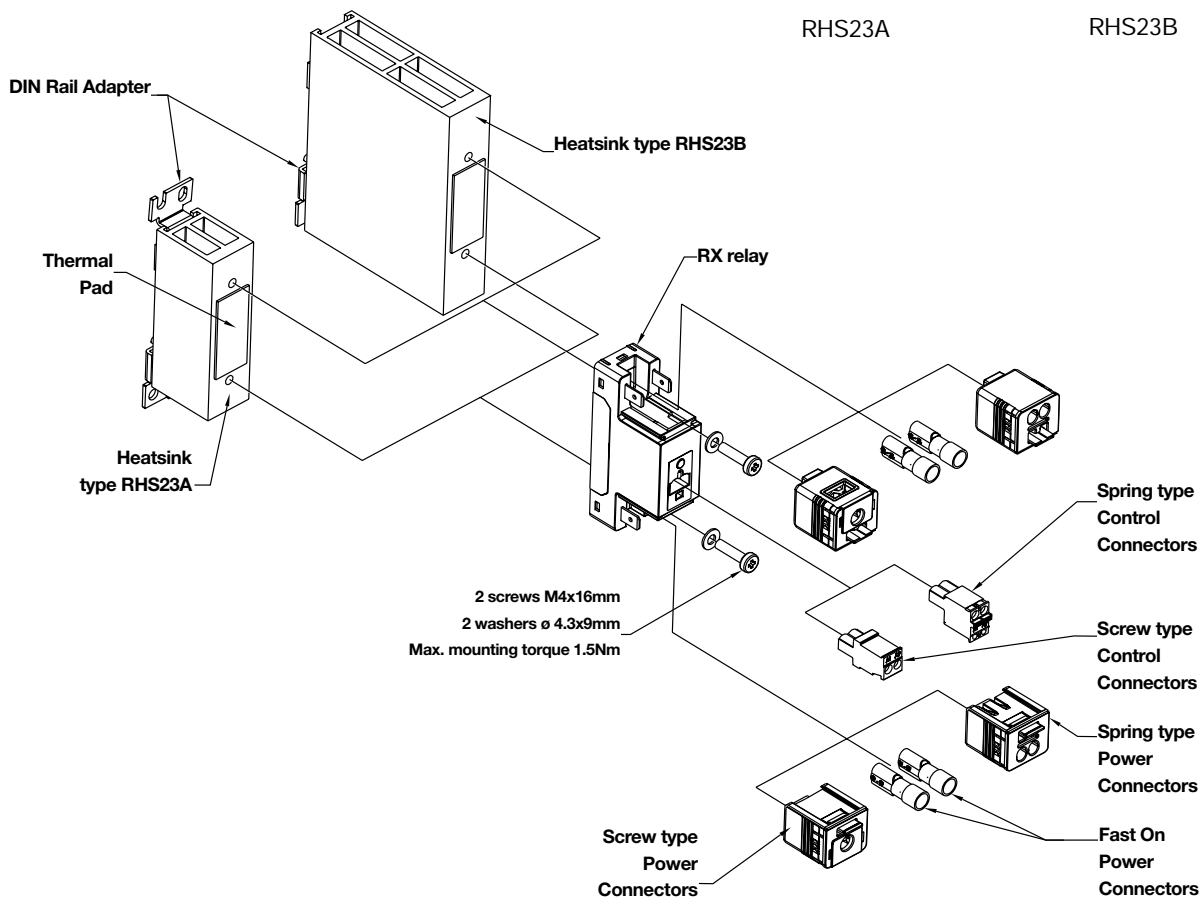
Dimensions not including the SSR



RHS23A



RHS23B



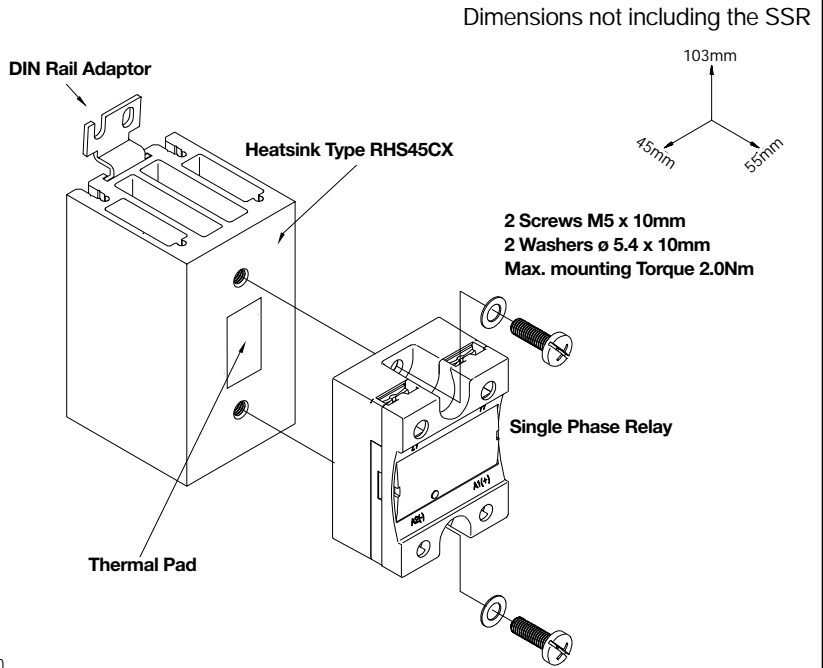
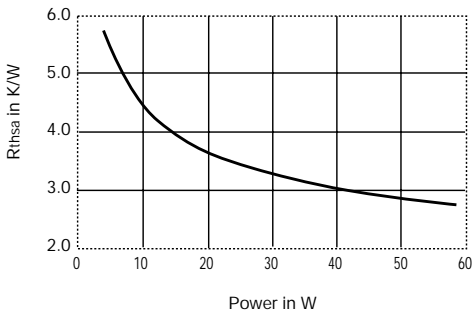
Heatsink Assemblies (cont.)

RHS45C

Heatsink assembly with DIN-rail adaptor for 1-phase SSRs. Type RHS45C is a complete heatsink kit not including the SSR. A 40x40 mm fan may be mounted onto the heatsink.

RHS45CD

RHS45C assembly without BBR cover and without heatsink compound.

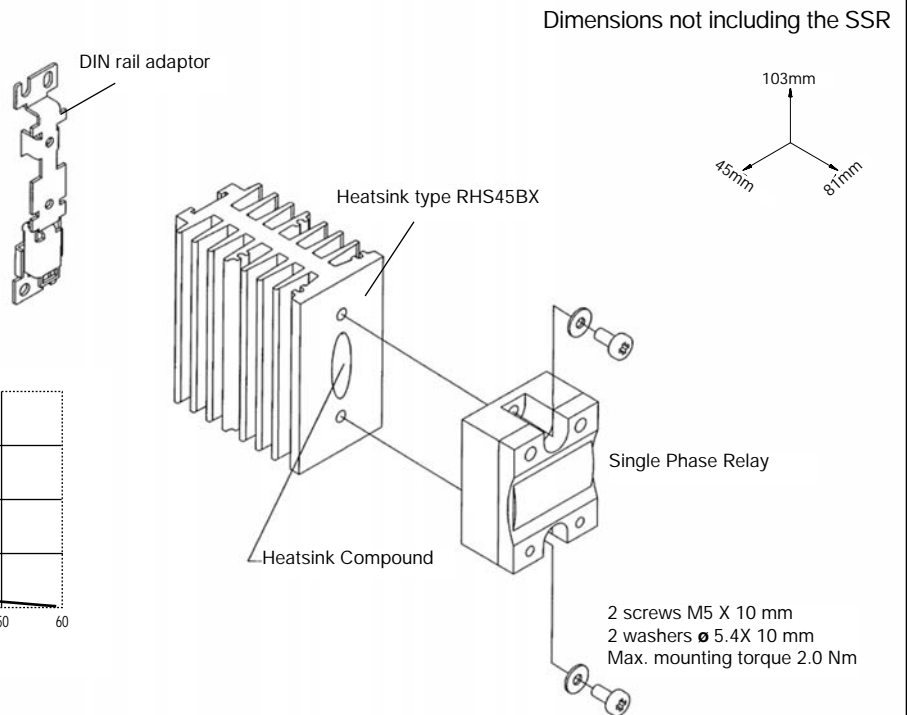
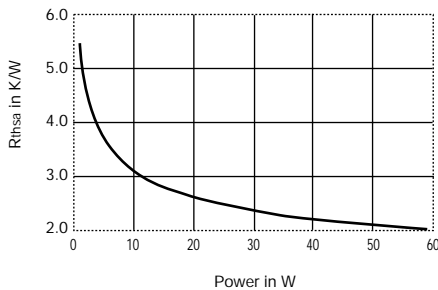


RHS45B

Heatsink assembly with DIN-rail adaptor for 1-phase SSRs. Type RHS45B is a complete heatsink kit not including the SSR. A 40x40 mm fan may be mounted onto the heatsink.

RHS45BD

RHS45B assembly without BBR cover and without heatsink compound.



Heatsink Assemblies (cont.)

RHS90A
Heatsink assembly with DIN-rail adapter for 1-phase SSRs. Type RHS90A is a complete heatsink kit not including the SSR. A 60x60 mm fan may be mounted onto the heatsink.

RHS90AD
RHS90A assembly without BBR cover and without heatsink compound.

Dimensions not including the SSR

1 Assembled DIN Rail Adapter

Heatsink type RHS90AX

Single Phase Relay

Thermal Pad

1 DIN Rail Adapter without clip and spring

2 screws M5x10mm
2 washers ø 5.4x10mm
Max. mounting torque 2.0Nm

Power in W	Rthsa in K/W
0	2.8
10	2.0
20	1.8
30	1.6
40	1.5
50	1.45
60	1.4

RHS100
Heatsink assembly with DIN-rail adapter for 1-phase SSRs. Type RHS100 is a complete heatsink kit not including the SSR.

Dimensions not including the SSR

DIN rail adapter type RHS00

Heatsink type RHS07

Single Phase relay

Heatsink compound

2 screws M4x45mm
2 washers ø 4.5x12mm
Max. mounting torque 2.0Nm

Power in W	Rthsa in K/W
0	5.8
10	3.8
20	3.2
30	3.0

Heatsink Assemblies (cont.)

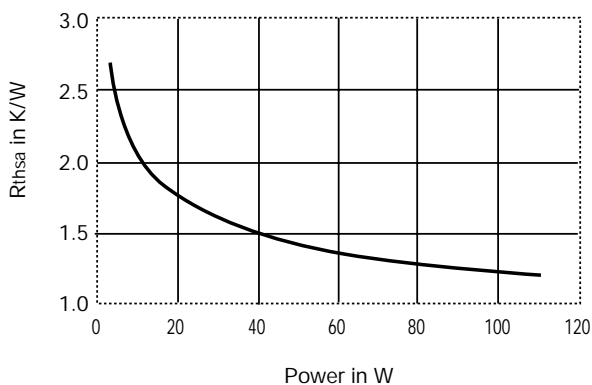
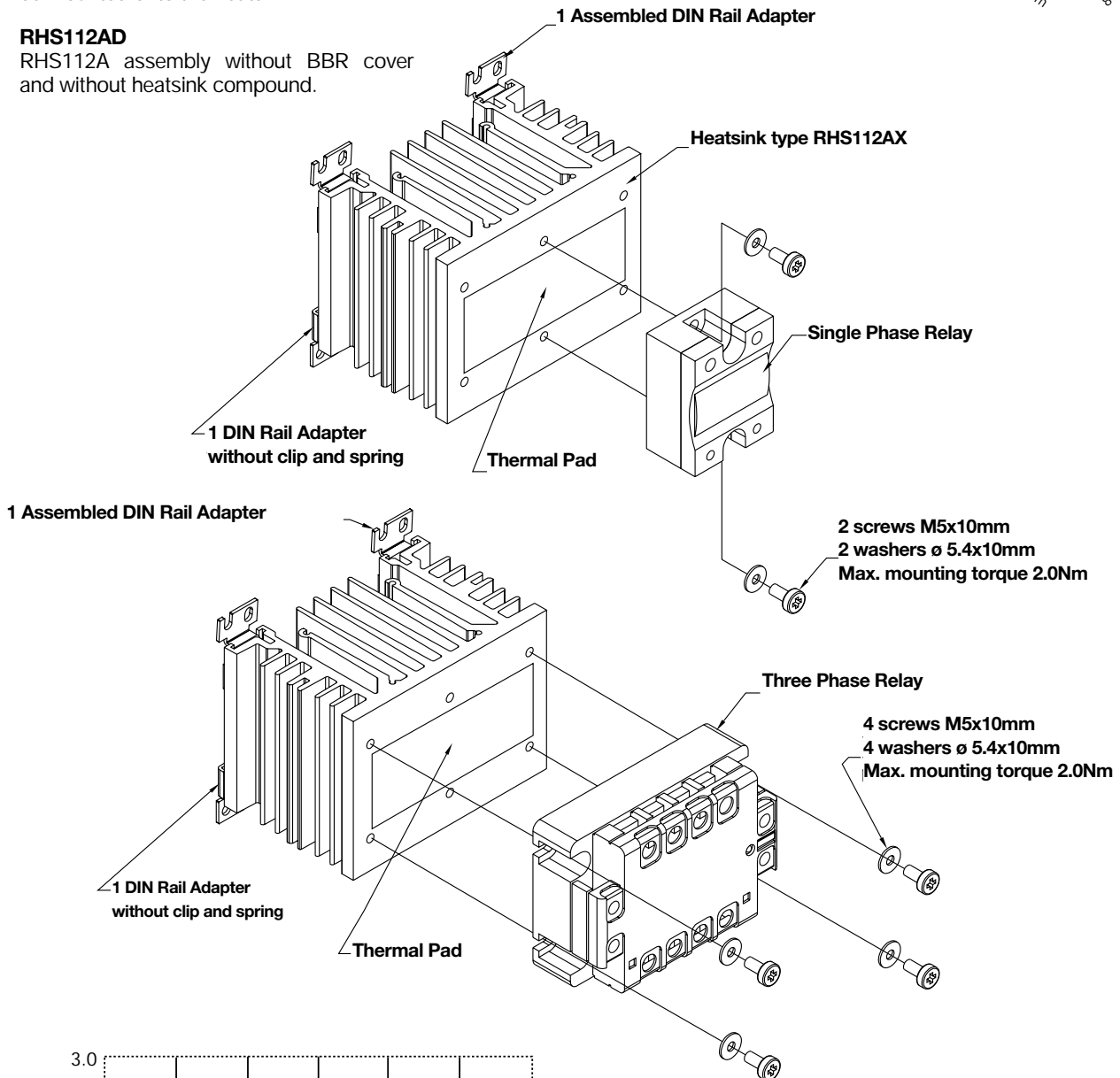
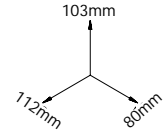
RHS112A

Heatsink assembly with DIN-rail adapter for 1-phase and 3-phase SSRs. Type RHS112A is a complete heatsink kit not including the SSR. A 60x60 mm fan may be mounted onto the heatsink.

RHS112AD

RHS112A assembly without BBR cover and without heatsink compound.

Dimensions not including the SSR

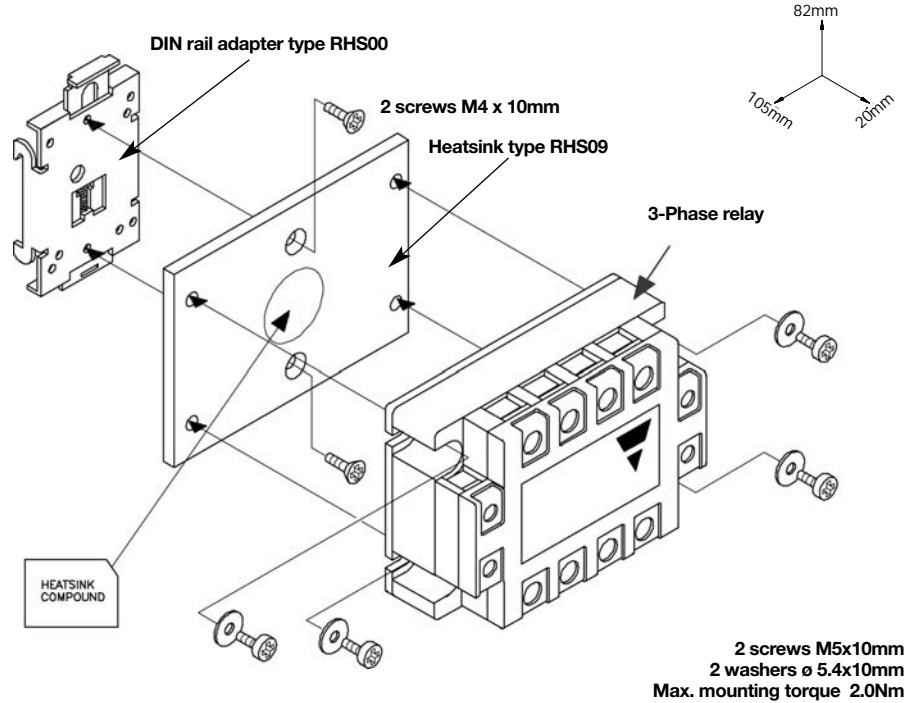


Heatsink Assemblies (cont.)

RHS300

Heatsink assembly with DIN-rail adapter for 3-phase SSRs. Type RHS300 is a complete heatsink kit not including the SSR.

Dimensions not including the SSR

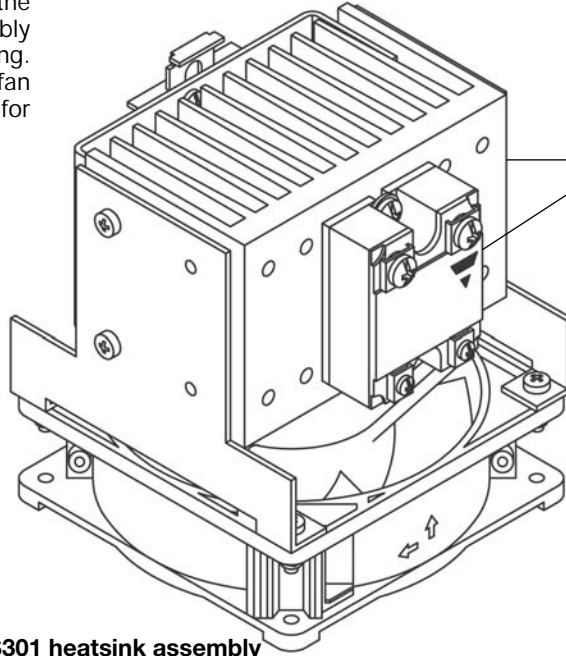


$R_{th\ S-A} = 5\ K/W.$

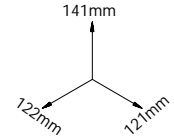
Heatsink Assemblies (cont.)

Fan Kit RHS301F115, RHS301F230

Not including the SSR and the RHS301 heatsink assembly shown on the drawing. RHS301F115 for 115 VAC fan supply and RHS301F230 for 230 VAC fan supply.



Dimensions not including the SSR



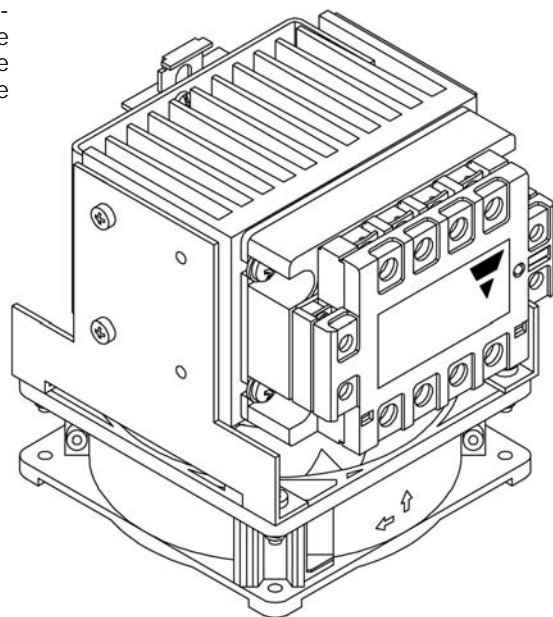
Not included

Note:
High-quality fan with full metal bearings.

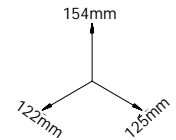
$R_{th\ S-A} = 0.25\ K/W$,
when attached to the RHS301 heatsink assembly

RHS301F115/230C (115/230 VAC fan supply)

Heatsink assembly with DIN-rail adapter for 1-phase or 3-phase SSRs. Type RHS301F...C is a complete heatsink kit not including the SSR.



Dimensions not including the SSR



Not included

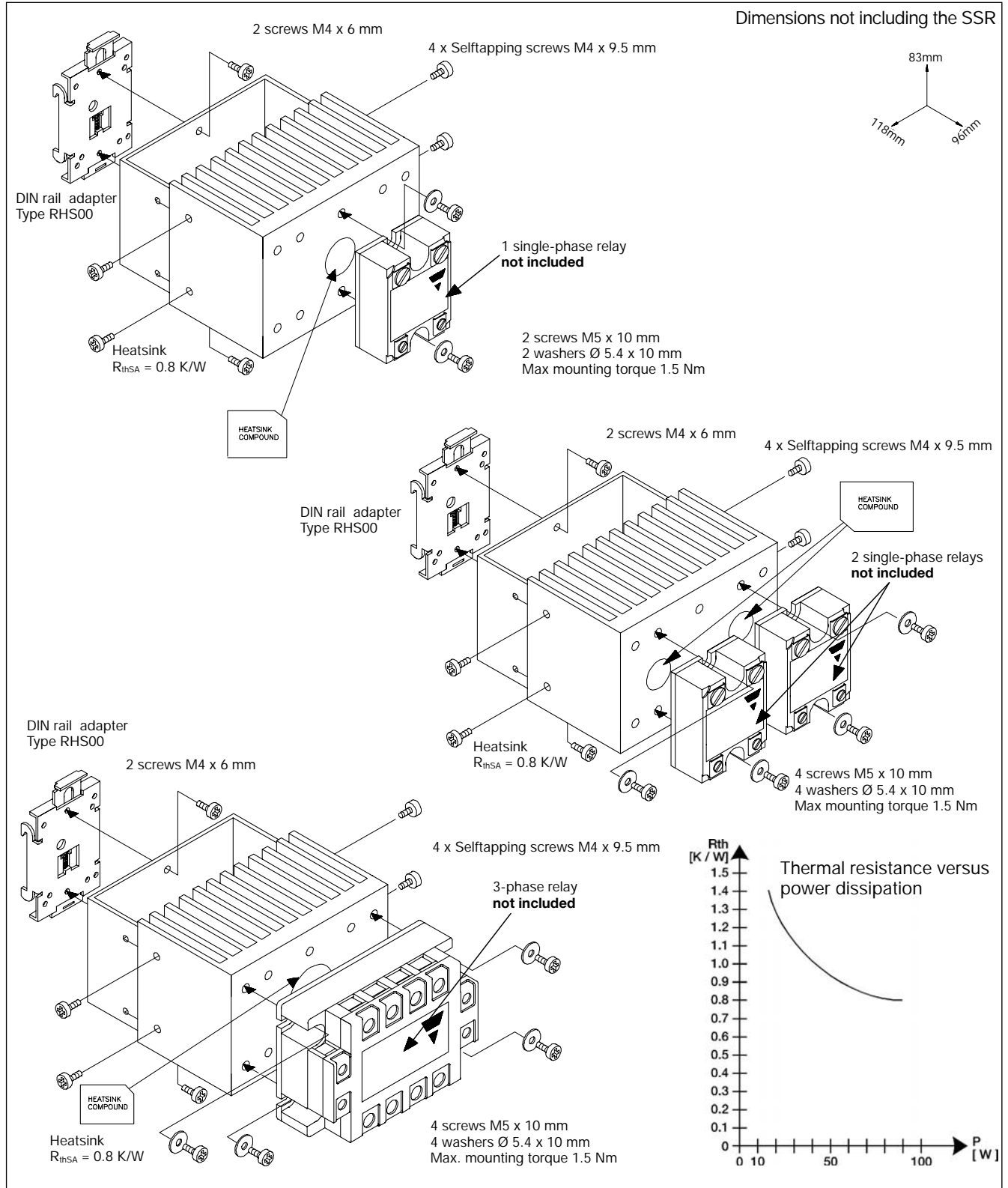
Note:
High-quality fan with full metal bearings.

$R_{th\ S-A} = 0.25\ K/W$.

Heatsink Assemblies (cont.)

Type RHS301

Heatsink assembly for 1-phase and 3-phase SSRs. Type **RHS301D** is an RHS301 assembly without the heatsink compound.



Heatsink Assemblies (cont.)

Dimensions not including the SSR

RHS320

Heatsink assembly with panel mounting brackets for 1-phase and 3-phase SSRs. Type RHS320 is a complete kit not including the SSR.

