

GENERAL FEATURES

These wire continuous rotation wire potentiometers with the shaft mounted on ball bearings are designed for applications requiring a high number of manoeuvres.

The resolution, low rotation torque and close tolerances make this component particularly suitable for use in systems of adjustment in continuous service.

The transparent closure makes easy alignment of the contact cursor possible, with any position micro switches installed.

SPECIAL FEATURES

The following special features may be provided simultaneously in the same potentiometer:

- Tolerance $\pm 1\%$
- Intermediate fixed sockets
- Winding with reduced electric angle
- Supply with double-protrusion shaft
- Supply with special length shaft
- Supply with screwdriver cut shaft
- Supply with milled shaft
- Groups of several potentiometers with coaxial mounting
- Supply in IP54 / IP55 protective casings (photo 1)
- Supply of motorised potentiometer

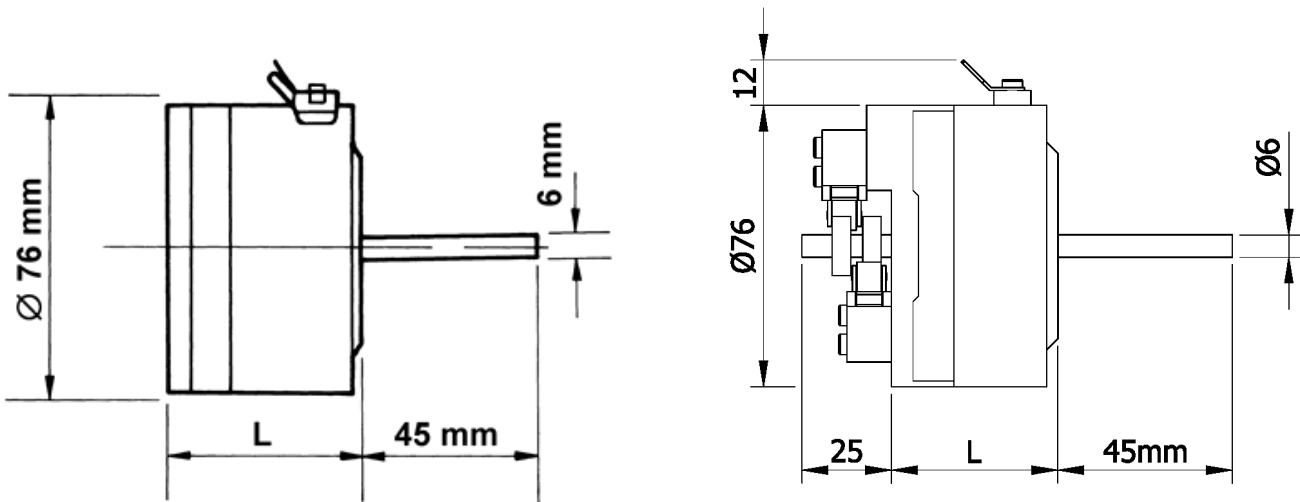
ACCESSORIES AVAILABLE ON REQUEST

- Adjustment knobs
- Graduated knob plaques
- Application of one or more position micro switches or programmer

SPECIAL FEATURES

PHOTO 1





ELECTRIC AND MECHANICAL CHARACTERISTICS		PRE 10
Power rating at 25 °C	[W]	10
Max Temperature	[°C]	85
Min. Resistance	[Ω]	10R
Max Resistance	[Ω]	100K
Tolerances of resistance		± 3%
Linearity Tolerance		0,50%
Temperature coefficient	[ppm]	< 150
Electric Angle of rotation		355° +0-5
Mechanical Angle of rotation		continua
Torque	[Ncm]	1,2
Insulation's Voltage	[V]	1500
Weight	[KG]	0,32
Dimension L	[mm]	47
External box		Aluminium
Transparent cap		Macrolon
Insulating element		Melammin
Shaft		Inox Rettified
Pillow block		Bearings
Fixing body		2 Screws 4 MA
Connection's terminal tinnable		Faston 6,3
Standard value on store		500R – 1K
		2K2 – 5K

** The ohmic value shown (min – max) are intended as total resistance of winding