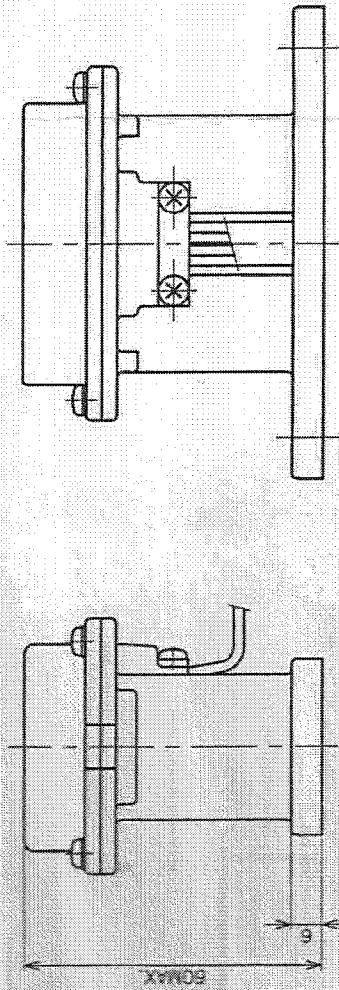
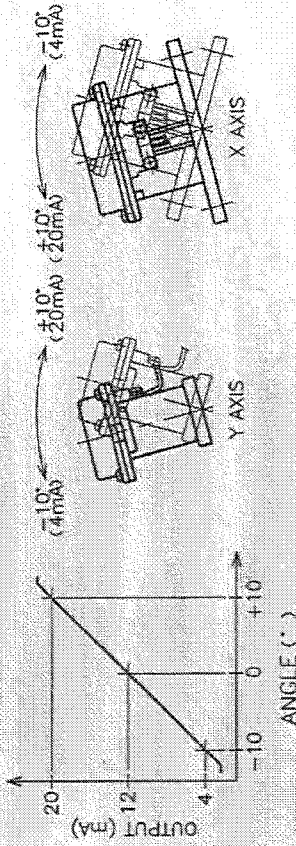


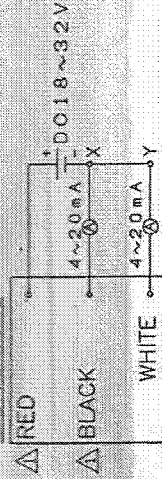
△ FIGURE 1  
OUTLINE DIMENSIONS



△ FIGURE 2  
OUTPUT CHARACTERISTICS



△ FIGURE 3  
SCHEMATIC



SPECIFICATIONS

- ELECTRICAL TRAVEL : ±10°
- OUTPUT CHARACTERISTIC : SEE FIGURE 2
- INPUT VOLTAGE : DC 18~32V
- LOAD RESISTANCE : 600Ω MAX./DC 24V
- INSULATION RESISTANCE : 100MΩ MIN./DC 500V
- DIELECTRIC STRENGTH : AC 500V 1MINUTE
- ABSOLUTE LINEARITY : ±1.1% FS (FS=20°)
- DAMPER OIL : SILICON OIL (200mm<sup>2</sup>/s/25°C)
- OPERATING TEMP. : -20~+80°C
- STORAGE TEMP. : -40~+80°C

Neigungsgeber, Typ PMP-10TZL-A-SW2 ± 10° ±, 2-achsrig  
Inklinometer (Tiltsensor) IP65 (IP67), Speisung 18...32VDC, Ausg. 4...20mA

REV	DATE	DESCRIPTION	ADD'N	ITEMS	M. T. S. P.	Y. N.	DRAWN	CHKD
△	4.26.00	CHANGED	8	ITEMS	5			

FIGURE 2  
OUTPUT CHARACTERISTICS

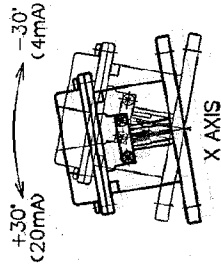
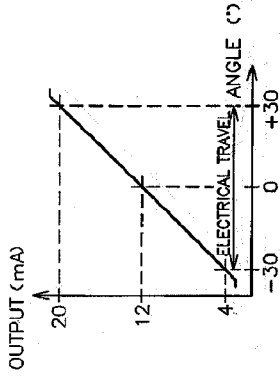
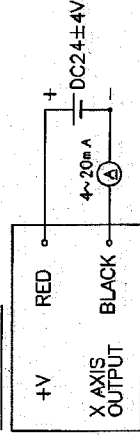
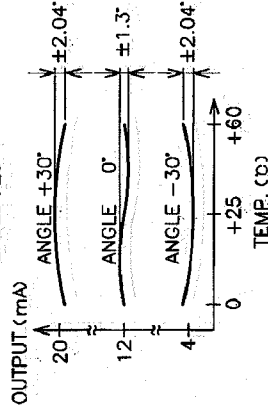


FIGURE 3  
SCHEMATIC



RED AND BLACK  
INDICATE LEADS COLORS

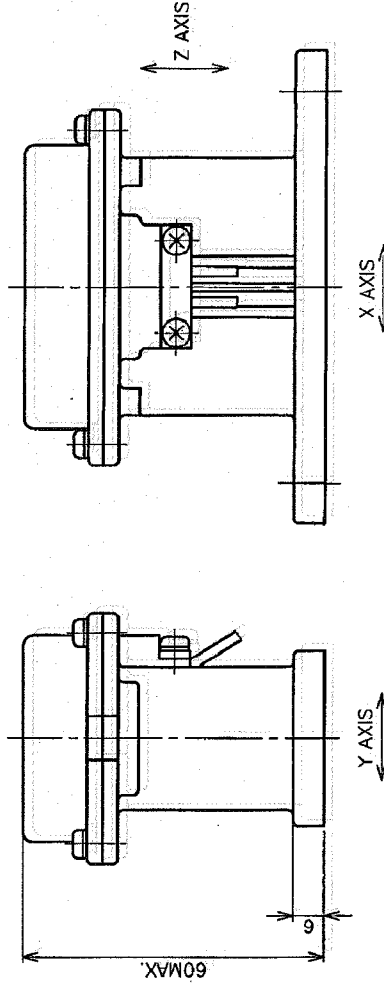
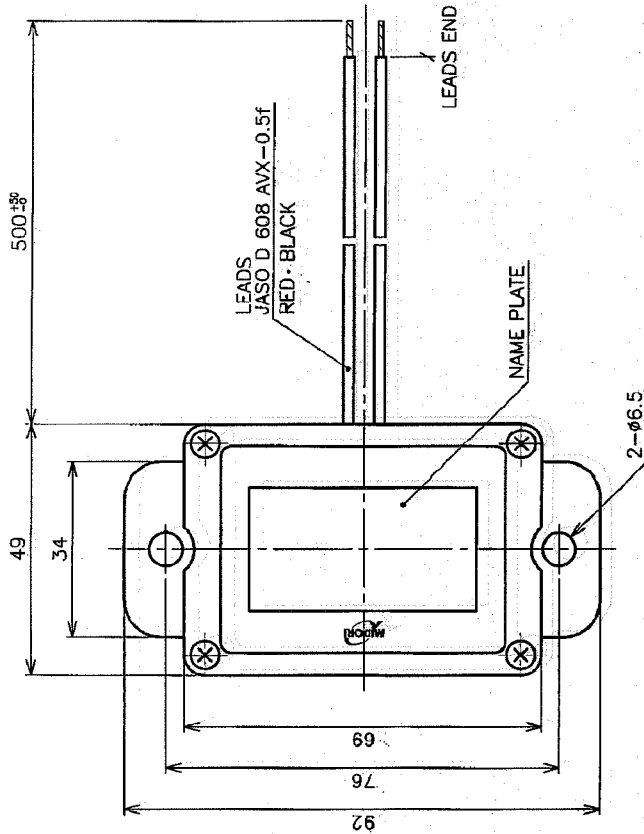
FIGURE 4  
TEMP. CHARACTERISTICS  
(BASED +25°C)



SPECIFICATIONS

- ELECTRICAL TRAVEL : ±30° (X AXIS)
- ABSOLUTE LINEARITY : ±1.1% FS (FS=60°) (X AXIS)
- OUTPUT CHARACTERISTICS : SEE FIGURE 2
- INPUT VOLTAGE : DC 24V ± 4V
- LOAD RESISTANCE : 600Ω MAX. (INCLUDING TRANSMITTING WIRE RESISTANCE AT DC 24V (X AXIS))
- INSULATION RESISTANCE : 100MΩ MIN. DC 500V
- DIELECTRIC STRENGTH : AC 500V 1 MINUTE
- TEMP. CHARACTERISTICS : SEE FIGURE 4
- SILICON OIL : 200mm<sup>2</sup>/s
- OPERATING TEMP. : 0~60°C
- STORAGE TEMP. : -20~80°C
- WATER PROOF : IP65 (EXCEPT LEADS END)
- MASS : APPROX. 230g
- ACCESSORIES : FLEXIBLE TUBE (BLACK) LENGTH=500±10 1PT.

FIGURE 1  
OUTLINE DIMENSIONS



DRAWING FOR APPROVAL

MODEL: PMP-30TL-A06

APPROVED	TOLERANCE	DATE	MIDORI PRECISIONS CO., LTD.	
CHECKED	±10 ±0.25	1.27.07	DRAWING NO.	
DRAWN	10 < ±100 ±0.5	SCALE	1:1	
1.27.07	ANGLE ±1.5	DRAWING PRACTICE	B-MPE-B53	
1.27.07				