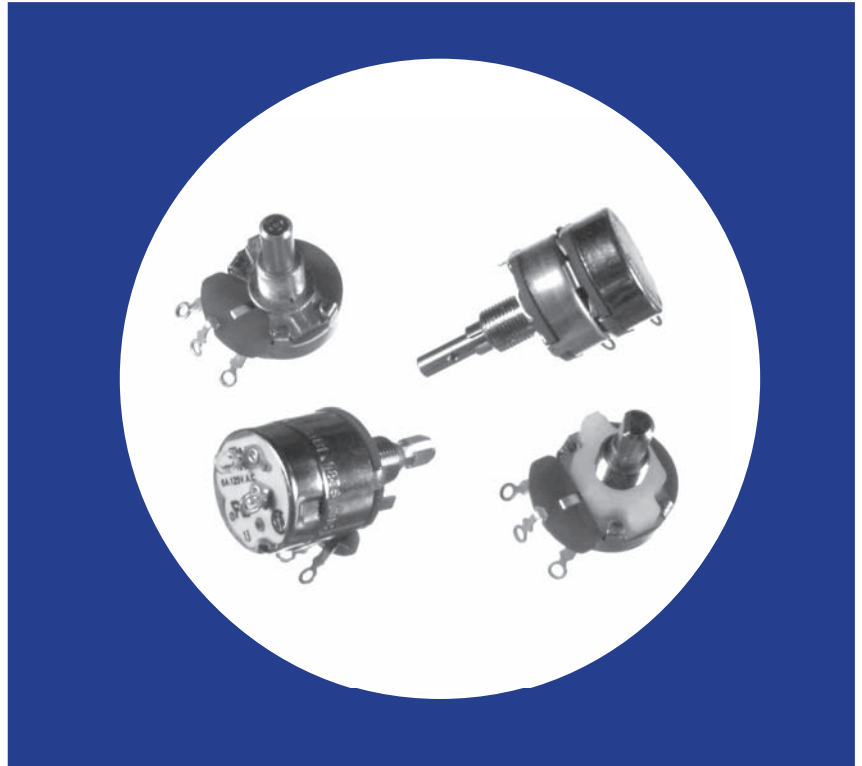


## Industrial 24mm Diameter 5 Watt, Wirewound Rotary Potentiometer

### Features

- Dust-proof construction
- Precision linearity
- 5 watt power rating
- Superior resistance stability in temperature and environment change
- Tandem constructions available
- Bushing or twist tab mounting
- Available with pull-push and rotary power switches
- RoHS compliant



## Electrical and Mechanical Specifications

### Resistance Range

Linear : 1 ohm through 25K ohms  
Audio : 20 ohms through 10K ohms

### Resistance Tolerance

±20%, ±10%, ±5%

### Power Rating

5 watts @ 25°C

### Dielectric Strength

1,000 VAC for 1 minute

### Maximum Operating Voltage

500 VDC

### Insulation Resistance

100 Megohms minimum @ 250 VDC

### Rotational Angle

Mechanical Angle: 300°±5°  
Effective Angle:  
Without switch: 280°  
With switch: 240°

### Rotational Torque

3/4 to 6 in. oz. (54 - 432 gf-cm)

### Linearity (linear curve only)

Standard: 3% linearity  
Special : 2% linearity

### Mounting Information

Bushing Mount  
Twisted Tab

### Power Switch

Rotary Switch-SPST, DPST, SPDT  
Pull-Push Switch-SPST (Pull-ON, Push-OFF)

### Rotational Life

standard : 10,000 cycles  
special : 50,000 , 100,000 cycles

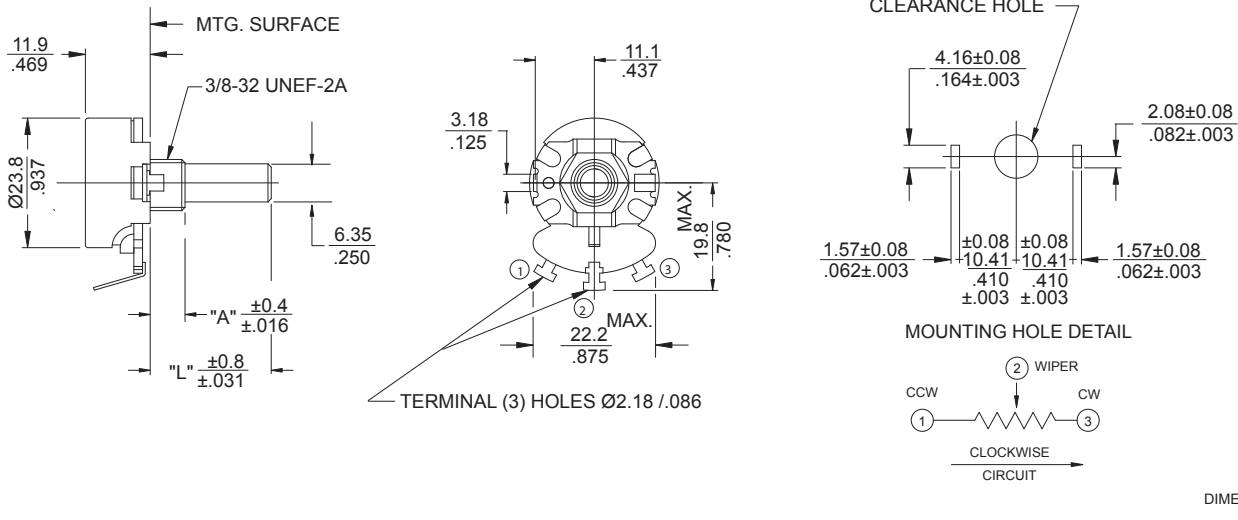
### Solder Heat Resistance

Maximum 350° C for 3 sec

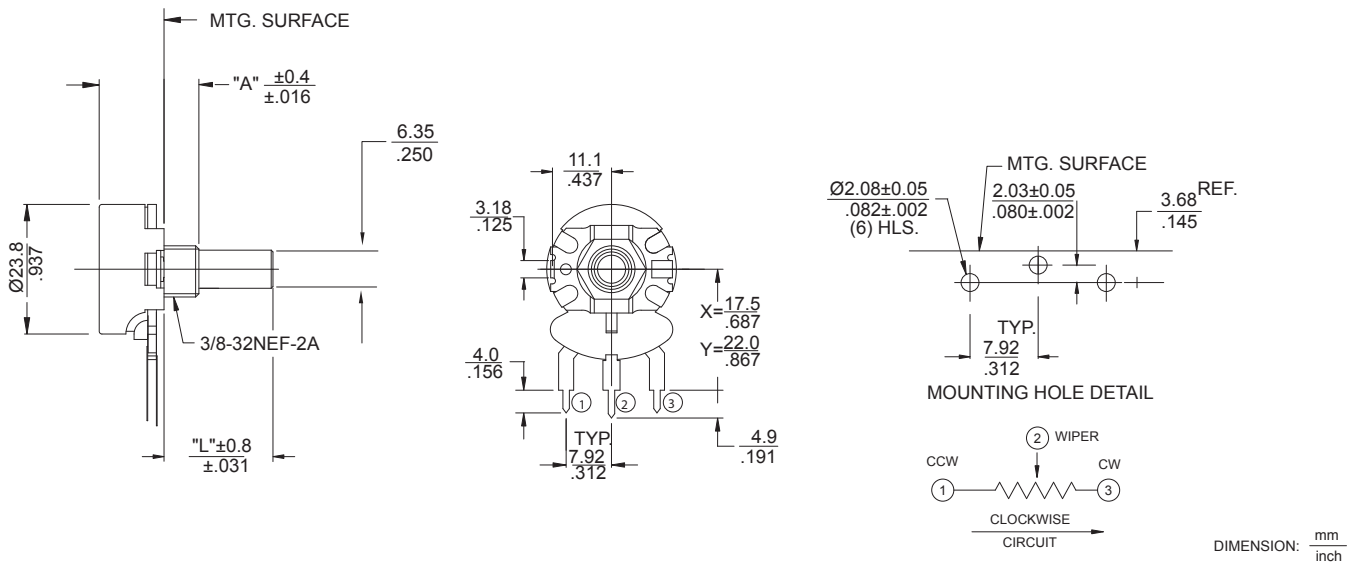
### Operating Temperature

-30° C to +105° C

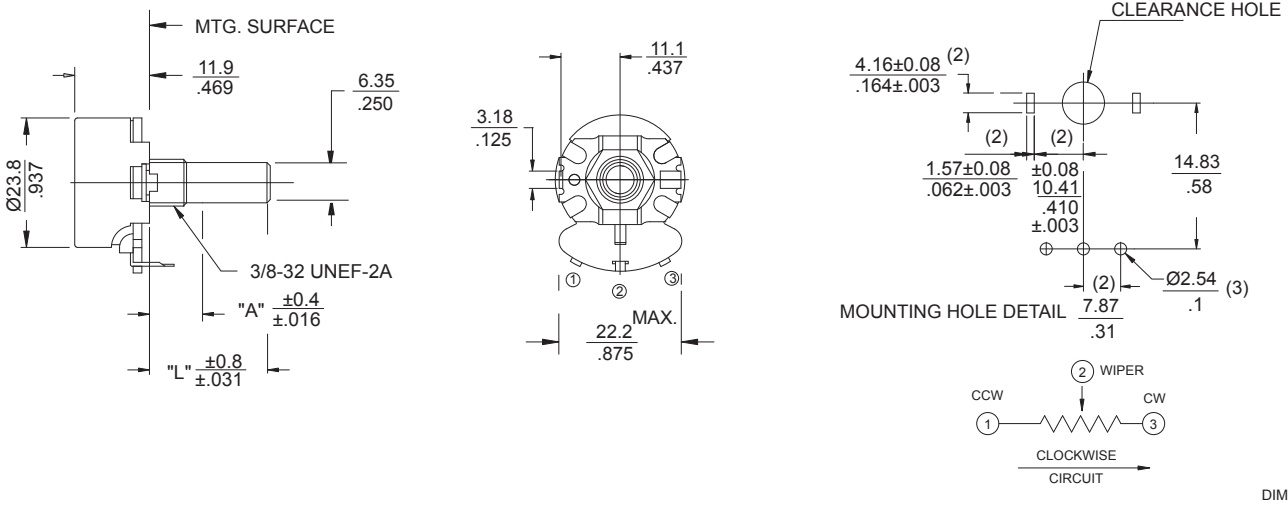
## T026 Metal Shaft, Bushing Mounting, Type "T" Solder Lug Terminals



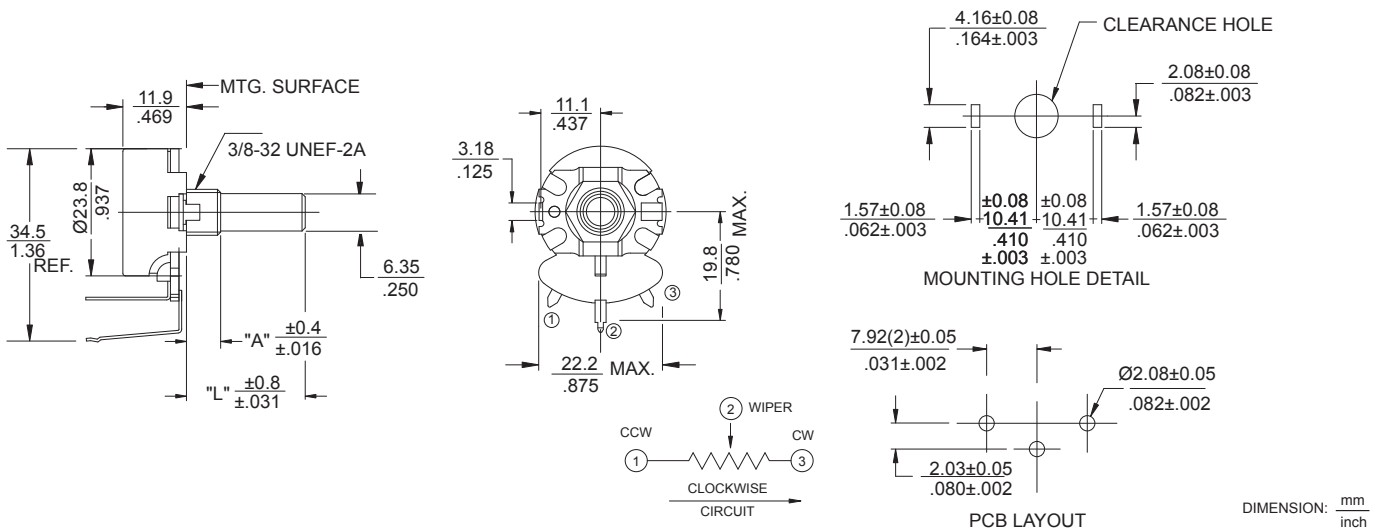
## X026 / Y026 Metal Shaft, Bushing Mounting, Printed Circuit Type X/Y Terminals



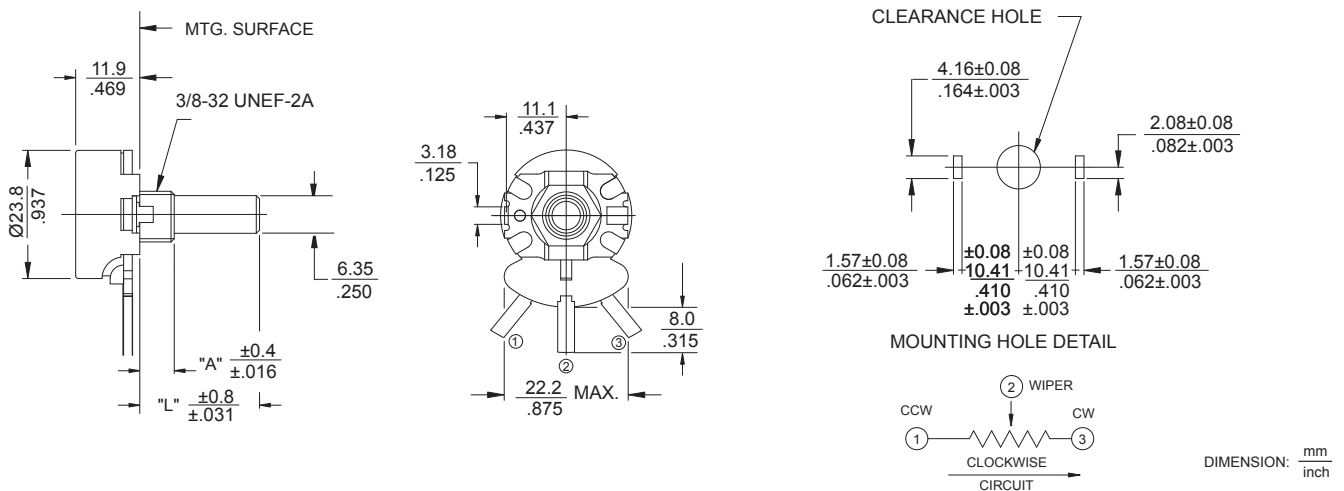
## U026 Metal Shaft, Bushing Mounting, Printed Circuit Type "U" Formed Terminals



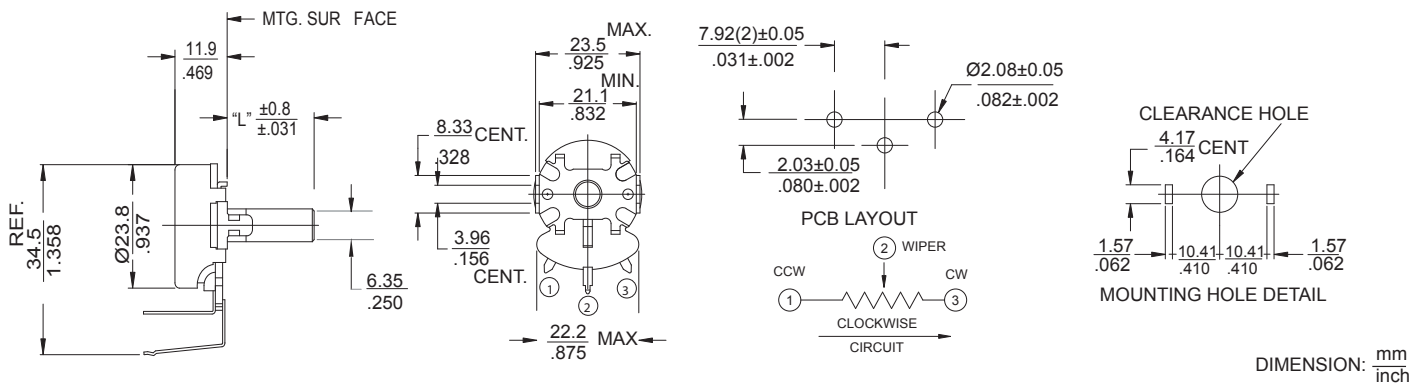
## V026 Metal Shaft, Bushing Mounting, Printed Circuit Type "V" Formed Terminals



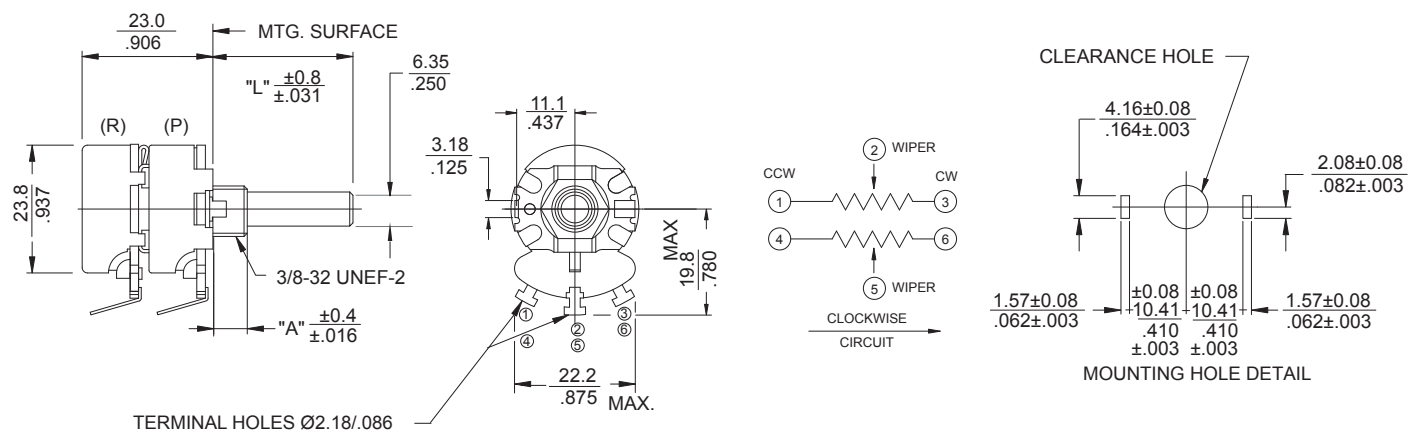
## S026 Metal Shaft, Bushing Mounting, Faston Type "S" Formed Terminals



## VPE026 Metal Shaft, Twist TAB Mounting, Type "V" Formed Terminals



## T2-026 Dual-section, Metal Shaft, Bushing Mounting, Type "T" Solder Lug Terminals



\* More multi-section models available, consult CTS for details

## Ordering Information

<b>026</b>	<b>T</b>	<b>2</b>	<b>20</b>	<b>R</b>	<b>103</b>	<b>B</b>	<b>1</b>	<b>A</b>	<b>1</b>																				
<b>TERMINAL STYLE</b> T - SOLDER LUG X - PC .687"(17.5mm) Y - PC .867"(22.0mm) U - FORMED TO FRONT V - FORMED TO REAR S - FASTON	<b>METAL MOUNTING STYLE "A"</b> <b>BUSHING LENGTH: 1/8" INCREMENTS</b> <b>EXAMPLES:</b> 2 - .250"(6.35mm) 3 - .375"(9.53mm) 8 - 1.000"(25.4mm) 1 - TWIST TAB MOUNT A - .250"(6.35mm) DIECAST B - .375"(9.53mm) DIECAST	<b>SHAFT TRIM</b> R - ROUND F - FLATTED .375"X.156" (9.53mmX4.0mm) K - KNURLED EIA S148 24 TEETH S - SD SLOT .063" DEEP X.047" WIDE (1.6mmX1.2mm)	<b>RESISTANCE CODE EXAMPLES</b> <table border="1"> <tr><th>CODE</th><th>RESISTANCE</th></tr> <tr><td>5A0</td><td>5 OHMS</td></tr> <tr><td>501</td><td>500 OHMS</td></tr> <tr><td>102</td><td>1K</td></tr> <tr><td>252</td><td>2.5K</td></tr> <tr><td>502</td><td>5K</td></tr> <tr><td>103</td><td>10K</td></tr> <tr><td>253</td><td>25K</td></tr> </table>	CODE	RESISTANCE	5A0	5 OHMS	501	500 OHMS	102	1K	252	2.5K	502	5K	103	10K	253	25K	<b>RESIST TOL</b> A - $\pm 10\%$ B - $\pm 20\%$ D - $\pm 5\%$	<b>TAPER</b> 1 - LINEAR 2 - 20%AUD 3 - 20%CCW AUD	<b>SPECIALS</b> 1 - LOCATING LUG LEFT SIDE 2 - LOCATING LUG RIGHT SIDE 3 - NO LOCATING LUG LOCATING 5 - LOCATING LUG BOTH SIDE							
CODE	RESISTANCE																												
5A0	5 OHMS																												
501	500 OHMS																												
102	1K																												
252	2.5K																												
502	5K																												
103	10K																												
253	25K																												
<b>METAL SHAFT LENGTH "L"</b> <b>FROM MOUNTING SURFACE 1/32" INCREMENTS</b> <b>EXAMPLES:</b> 20 - .625"(6.35mm) 24 - .750"(19.5mm) 28 - .875"(22.2mm) 32 - 1.000"(25.4mm)	<table border="1"> <thead> <tr> <th>SWITCHES</th> <th>FUNCTION</th> <th>CTS TYPE</th> <th>CURRENT RATING</th> </tr> </thead> <tbody> <tr><td>A - NONE</td><td></td><td></td><td></td></tr> <tr><td>B - SPST</td><td>ROTARY</td><td>TGC</td><td>6AMP @ 125VAC</td></tr> <tr><td>C - DPST</td><td>ROTARY</td><td>027</td><td>3AMP @ 125VAC 1AMP @ 250VAC</td></tr> <tr><td>D - SPDT</td><td>ROTARY</td><td>028</td><td>3AMP @ 125VAC</td></tr> <tr><td>E - SPST</td><td>PULL-PUSH</td><td>FR-K</td><td>3AMP @ 125VAC</td></tr> <tr><td>F - SPST</td><td>ROTARY</td><td>FR-GC</td><td>3AMP @ 125VAC 1AMP @ 250VAC/DC</td></tr> </tbody> </table>	SWITCHES	FUNCTION	CTS TYPE	CURRENT RATING	A - NONE				B - SPST	ROTARY	TGC	6AMP @ 125VAC	C - DPST	ROTARY	027	3AMP @ 125VAC 1AMP @ 250VAC	D - SPDT	ROTARY	028	3AMP @ 125VAC	E - SPST	PULL-PUSH	FR-K	3AMP @ 125VAC	F - SPST	ROTARY	FR-GC	3AMP @ 125VAC 1AMP @ 250VAC/DC
SWITCHES	FUNCTION	CTS TYPE	CURRENT RATING																										
A - NONE																													
B - SPST	ROTARY	TGC	6AMP @ 125VAC																										
C - DPST	ROTARY	027	3AMP @ 125VAC 1AMP @ 250VAC																										
D - SPDT	ROTARY	028	3AMP @ 125VAC																										
E - SPST	PULL-PUSH	FR-K	3AMP @ 125VAC																										
F - SPST	ROTARY	FR-GC	3AMP @ 125VAC 1AMP @ 250VAC/DC																										

\* Refer to series 450 data sheet for power switch detail