

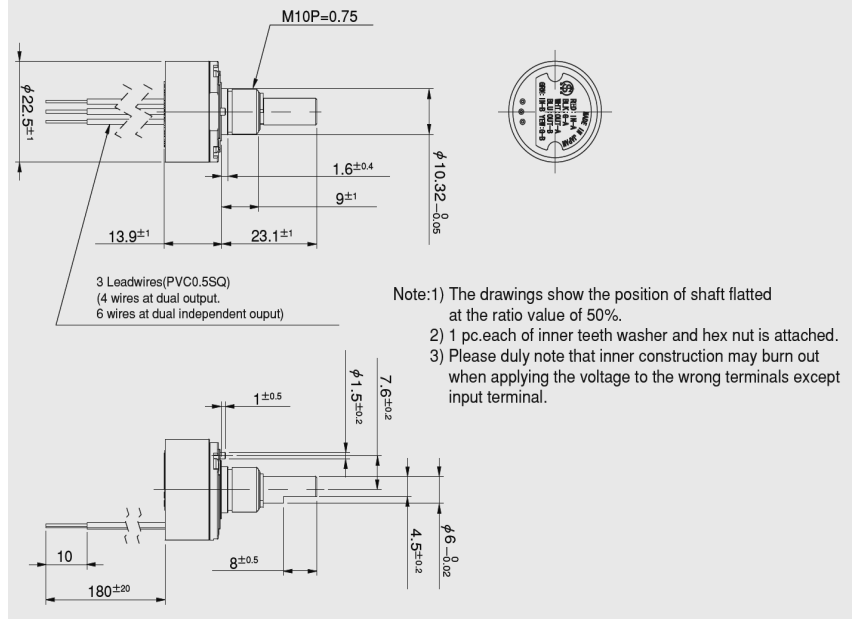
S10A

Hall effect IC / Bushing mount

RoHS compliant



Standard dimensions



General specifications

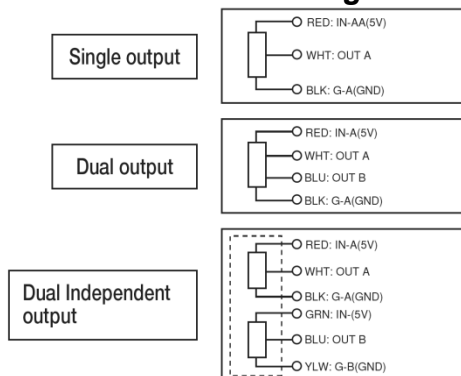
Current Consumption	Single output: Approx. 16mA Dual output: Approx. 32mA
Independent Linearity Tolerance	±0.5%FS(FS=360°)
Mechanical Rotating Angle	360° (Endless)
Effective Electrical Angle	360° (Endless)
Applied Voltage	5V±10%D.C.
Load resistance	10kΩ min
Effective Output	10%±3%~90%±3% Vin
Output Temperature Characteristics	Within ±0.3%Vout/FS
Operating Temperature Range	-40°C~+105°C
Storage Temperature Range	-40°C~+105°C
Mass	Approx. 20g
Rotating Torque	Within 5mN·m(within 50gf·cm)

Environmental specifications

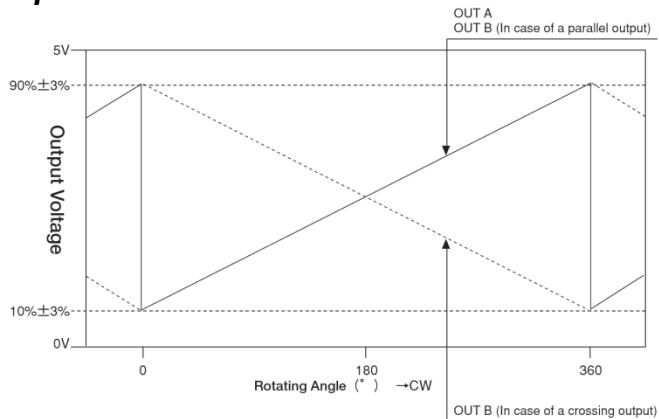
Thermal Shock	5 cycles -40°C~+105°C
Exposure at Low Temperature	24 hours at -40°C
Exposure at High Temperature	1,000 hours at +105°C
Vibration	10 to 2,000Hz 196m/s ² 12 hours
Shock	980m/s ² 6ms(18 times)
Rotational Life Expectancy	Approx. 50,000,000
EMS Tolerance	100V/m(80MHz~1GHz 1KHz Sinwave80% Amplitude Modulation)
ESD Tolerance	±8kV contact discharge /±15kV aerial discharge

Note: Rotational Life Expectancy may differ from the specifications depending on status of use.

Terminal connection diagram



Output characteristics



● **Special Specifications Available.** (In case of the potentiometer with special specifications, the general specifications and environmental specifications may change. Please consult us in advance.)
Special effective electrical angle(90°, 180°, 270° - arbitrary angles), Special machining on the shaft, Special output (Cross, parallel, Dual independent output), Special applied voltage(12V, 24V), PWM output, Low current consumption in slow mode.