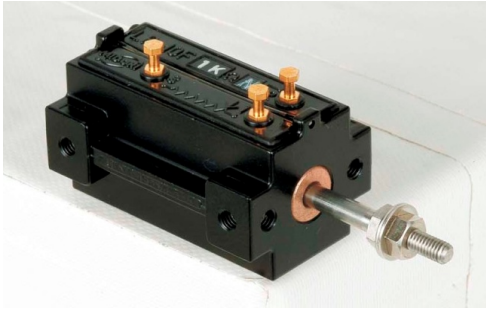


Conductive Plastic Linear Sensor

LP-10F Series - LP-10F, LP-10FB



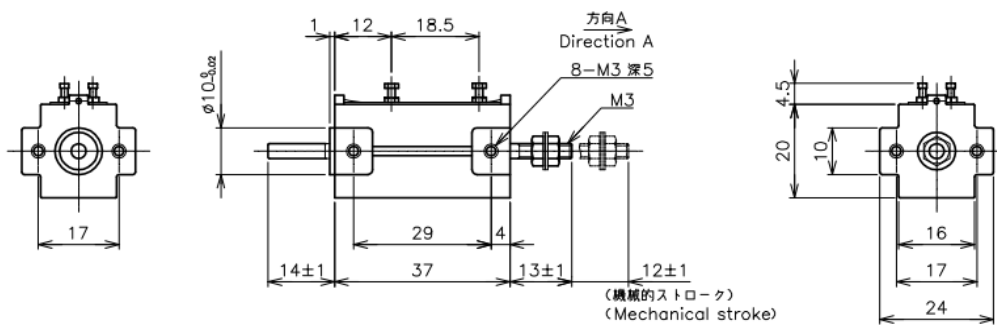
- Conductive Plastic Linear Sensor
- Effective Electrical Travel : 10mm±0.5mm
- Independent Linearity : ±1%
- Return Spring(LP-10FB)

【Material】

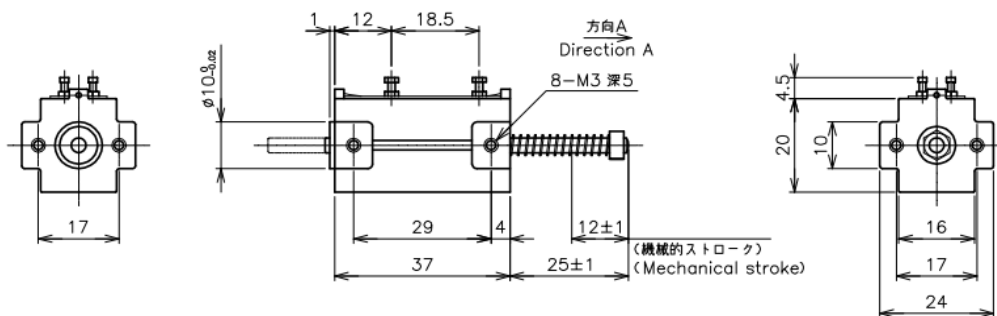
- Housing : Aluminum
- Shaft : Stainless Steel
- Bearing : Copper alloy

Dimension [mm]

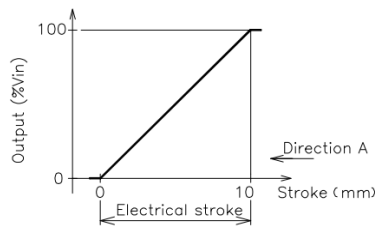
LP-10F



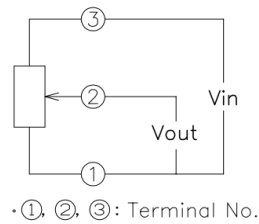
LP-10FB



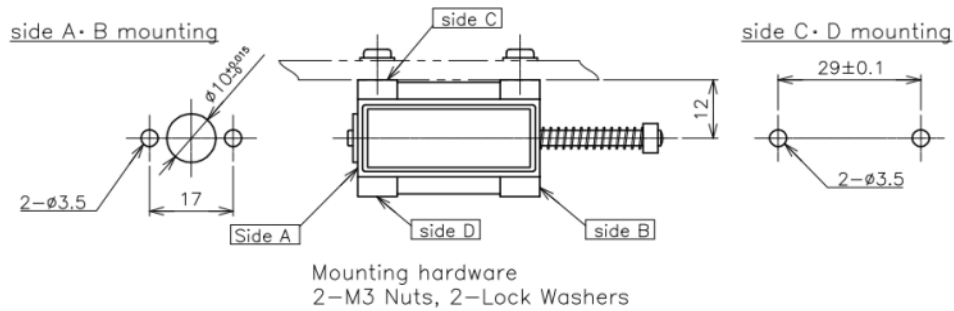
Output Characteristics



Schematic



Mounting



【Model No.】	LP-10F	LP-10FB
-------------	--------	---------

【Electrical Data】

Effective Electrical Travel	10mm±0.5mm	
Total Resistance	1	kΩ
Total Resistance Tolerance	±20	%
Independent Linearity	±1	%
Power Rating	0.3/50°C	
Output Smoothness	MAX. 0.1	%
Insulation Resistance	MIN. 100 / DC 500V	
Dielectric Strength	AC500 / 1 Minute	
TC of Resistance	±1000	ppm/

【Mechanical Data】

Total Mechanical Travel	12mm±1mm	
Friction	MAX. 0.3	MAX. 3N(Spring Strength)N
Mass	60 Approx.	

【Environmental Data】

Life	MIN. 5 Million	Cycle
Category Temperature Range	-40~+100	
Storage Temperature Range	-40~+100	
Vibration	100m/s ² 500Hz 3axis 2hours each	
Shock	500m/s ² 11ms 6directions 3times	

Accessories

M3 Nut, Plain washers 2 pieces each

Handling Instruction

To avoid burnout of resistive element, do not supply 1mA Min. current to terminal 2.