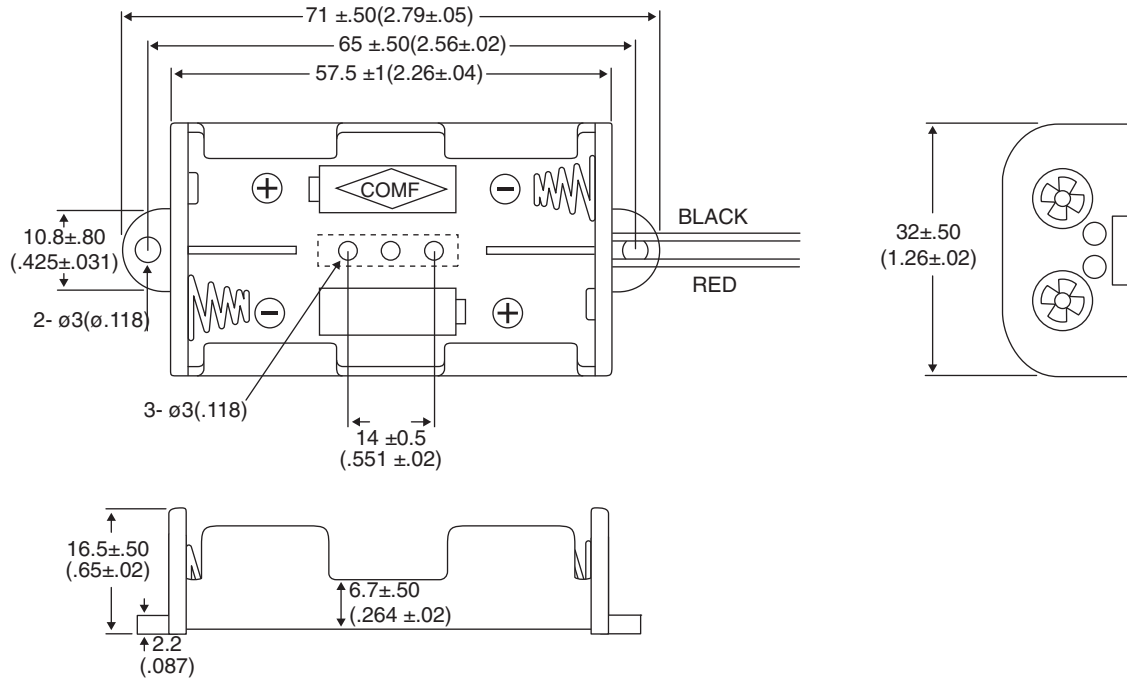


# 2 “AA” Battery Holder with Leads

Date Last Revised:



Dimensions: mm (in.)

SPECIFICATIONS	
<b>Material:</b>	PP Resin, Black Color
<b>Wire:</b>	AWG#26 Black & Red 150mm ±5mm Strip & Tin 4mm ±1mm
<b>Spring:</b>	0.64mm 65C Spring Wire
RoHS Compliant	