

The single-axis controller S 21 is a rugged switching device according IEC 947-5-1 EN 60947 DIN VDE 0660-200 for electronic-hydraulic applications. The modular design enables the switching device to be used universally. The S 21 is resistant to oil, maritime climate ozone and UV radiation.

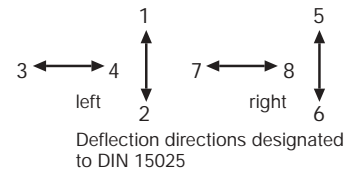
Contact complement 2 A 250 V AC 15 res. 3 A 24 V DC 13

Mechanical life 6 million (operating cycles)
Permissible ambient temperature Operation -40° C to + 60° C
Storage -50° C to + 80° C

Climate resistance
Damp heat constant DIN IEC 68 part 2-3
Damp heat cyclic DIN IEC 68 part 2-30
Degree of protection front IP 54 IEC 529 DIN 40050
Technical data look catalog 5/100

Description data look catalog 5/002

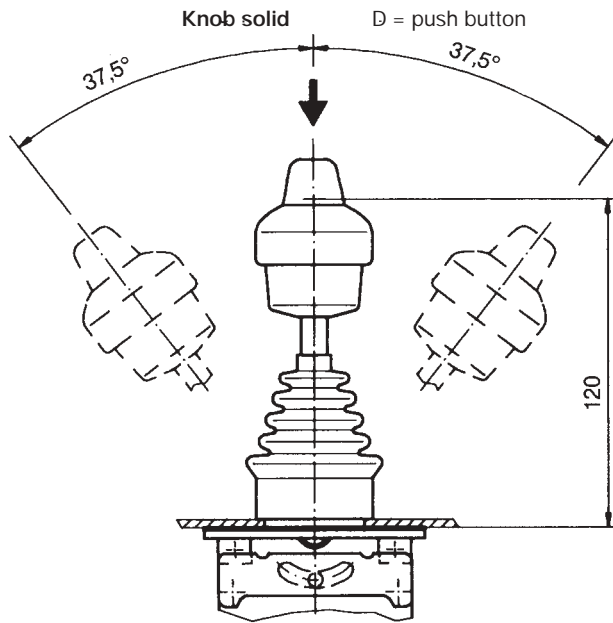
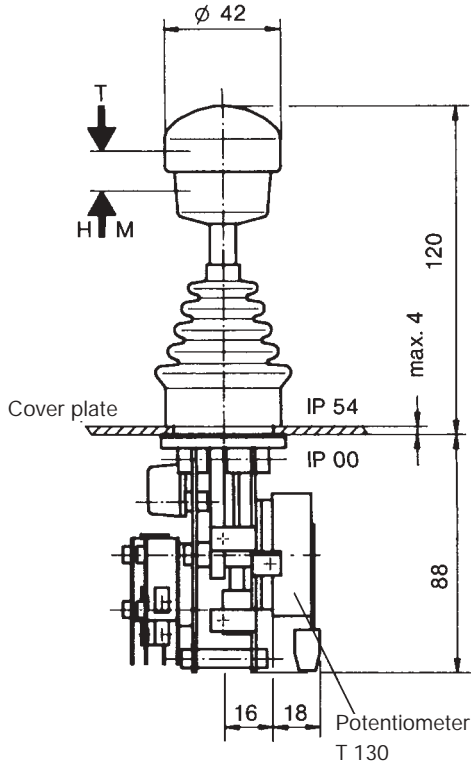
Spindle block with schematic representation of the master controller installation and deflection directions. Version shown for Left-hand side installation (right-hand side installation is mirror image).



Pos.	S 22	Type	Weight gramm	Price EURO
1		S 22	600	
2				
3				
4				
5				
10	Spring return in 0-position	Z	20	
11				
12		R	20	
13				
14				
20	Control-handle with knob solid	M	50	
21	Control-handle with latch for mechanical zero interlock	T	50	
22	Control-handle with dead man's button 1 NO	H	50	
23	Control-handle with signal button 1 NO	D	60	
24	Control-handle with push button 1 NO	DV	60	
25	Control-handle with flat push button 1 NO	B 5	40	
26	Control handle with palm grip B 1	B 5T	60	
27	Control handle with palm grip B 1 with push button top 1 NO			
28	Control handle long or short 140, 100 mm			
29	More knobs, grips and T-grips with and without signal devices look catalog 1/280...			
30	Masterswitch switching sequence -0-	No. of contacts 1	1	150
31		2	2	170
32		3	3	190
33		4	4	210
34	Switching program according contact-arrangement MS... look catalog 5/001			
35	or to your contact-arrangement			
36	Switching sequence 2-0-2			
40	Potentiometer e.t.c. each masterswitch with mounted Wire-wound potentiometer T 130, with centre tap linear Life 10' switching cycle resistance 2 x 0,5/1/2/5/10 kOhm, 1,5 Watt wiper current max. 10 mA	P	70	
41	Prepared for mounting potentiometer shaft 6 mm adjusting-angle 2 x 150°	(P)		
42	Prepared for mounting potentiometer e.t.c. adjusting-angle variable.	(P)		
43	more Potentiometer e.t.c. look catalog 1/240...			
50	Steel sheet housing B 200 masterswitch Gr. 4	B	1300	
51	More housing look catalog 1/250			
52				
60	Indicating labels not engraved with 2 arrows			
61	Engraved each 10 characters			
62				
70	Command and indicating devices look catalog 1/260			

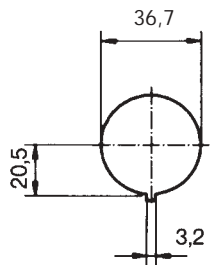
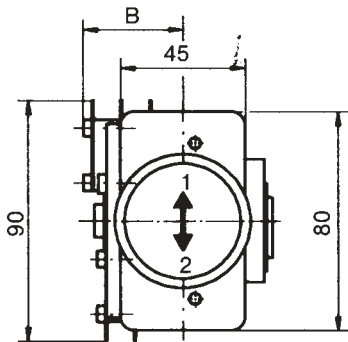
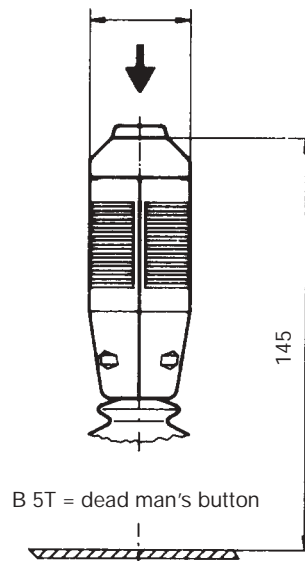


T = dead man's button
H = signal button
M = latch for mechanical zero interlock



palm grip B 5

Ø 35



Hole pattern

Type	No. of contacts	Dimension B
1	1	25
2	2	31
3	3	36
4	4	42

Example for type-sign

Single-axis controller

dead man's button

Masterswitch direction 1-2

S 22 T - 2 Z P - X



Special please to describe

Potentiometer e.t.c.

Spring return