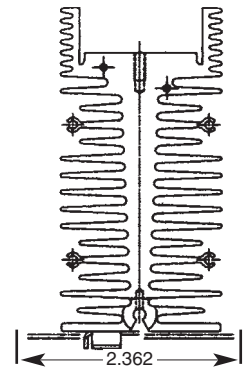
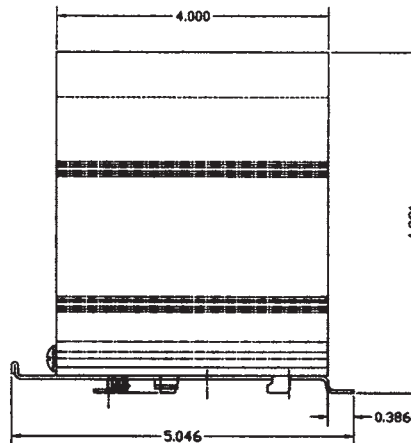
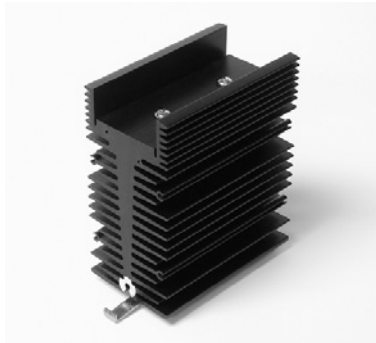


SOLID STATE RELAYS

HS10 HEATSINK

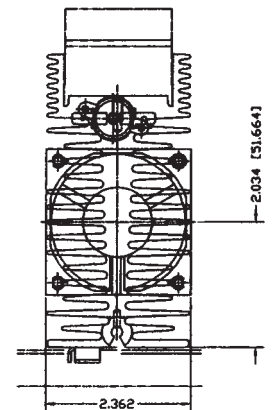
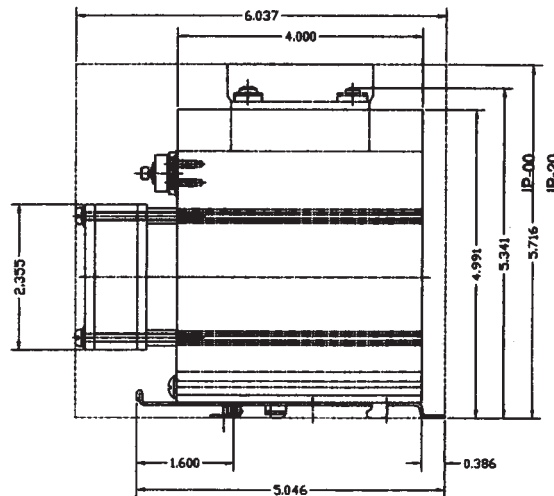
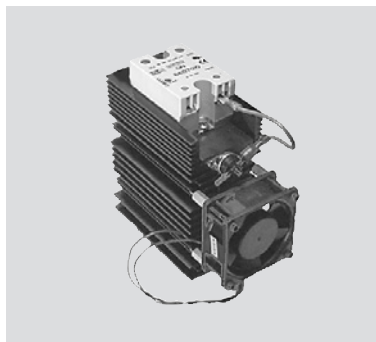


1

ORDERING INFORMATION:

Model #	Description
HS10	Heatsink 1.1°C/W (For Single Phase SSR's)

HS12 HEATSINK



(Relay Optional)

ORDERING INFORMATION:

Model #	Description
HS12	Heatsink 0.55°C/W (For Single Phase SSR's)

DIMENSIONS: inches (mm)

TOLERANCES: ±0.02 inches

MATERIAL: AISI 6063-T5 Aluminum

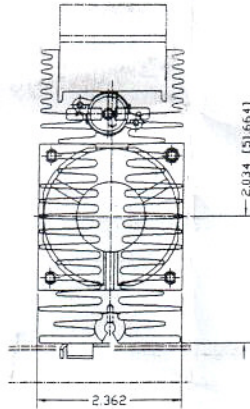
FINISH: Black Anodized

Products and specifications subject to change without notice.
Consult factory for application assistance.

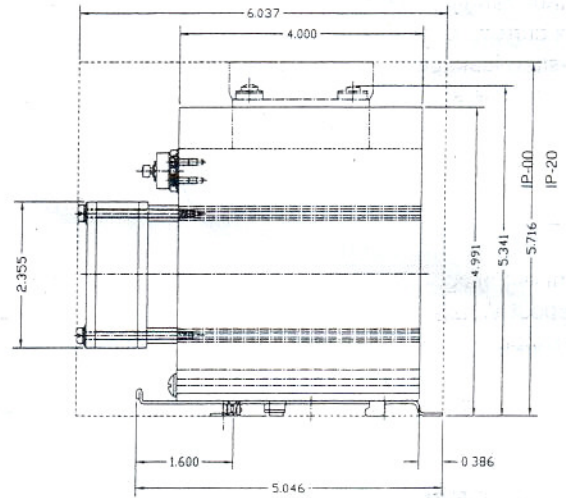
60mm Din Rail Heat Sink and Solid State Relay

Installation

- 1) Mount heat sink on din rail capable of supporting the full weight of the heat sink. Take into account any additional stress that may be placed on the din rail by the wiring harness.
- 2) If din rail can not fully support the weight of the heat sink, a hole is provided on the din bracket for a support screw.
- 3) Ensure that the panel containing the heat sinks is properly ventilated to allow adequate air flow. Forced air into and out of the panel is strongly recommended. Excessive temperatures will decrease the life of the solid state relay.
- 4) Mount heat sinks with the fans on the bottom so that air is forced up through the fins.
- 5) Allow for adequate spacing between heat sinks. 45mm between heat sinks without fans and 30mm between heat sinks with fan assemblies is recommended for maximum ratings.



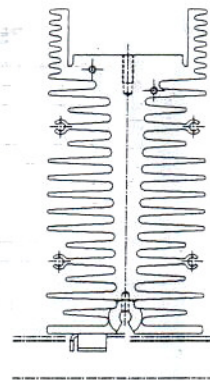
HS-12



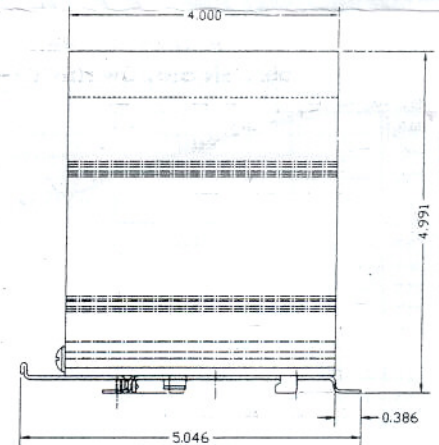
(Relay Optional)

General Information

- 1) On the HS-12 Heat Sink, -75 & -100 solid state relays, a thermal cutout is mounted above the fan assembly on the side of the heat sink and factory wired to the +A1 terminal of the solid state relay. Connect the DC common or AC neutral line of the control supply directly to terminal 4/A2 of the SSR, and connect the + DC or AC line of the control supply to the 3/16" fast-on terminal on the thermal cutout. **DO NOT BYPASS THERMAL CUTOUT. FAILURE TO PROPERLY WIRE THE CONTROL SIGNAL OF THE SSR MAY RESULT IN DAMAGE TO THE RELAY AND/OR LOAD.**



HS-10



- 2) Do not relocate thermal cutout. The thermal cutout may not detect over temperature conditions if it is repositioned. **THE THERMAL CUTOUT IS ONLY A SAFETY FEATURE AND DOES NOT GUARANTEE FAILSAFE OPERATION OF THE SSR.**
- 3) The life of the -75/-100 SSR is dependent upon the operation of the fan. Failure to use fan during normal operation, or continual use of the relay if fan fails, may lead to thermal damage to the SSR. If the thermal cutout actuates due to fan failure, replace the fan and reset the thermal cutout by pressing the button located on top of the cutout.

Contact the factory if thermal cutout actuates during normal operation.

- 4) The output terminals (1/L1, 2/T1) of the 84 137 series IP20 SSR will accept solid or stranded wires up to #8 AWG without requiring ring or fork terminals. However, it is recommended that ring or fork terminals be used in applications where the steady state current exceeds 50 amps rms.

General Specifications:

Output

	-50 SSR	-75 SSR	-100 SSR
Voltage range (ACrms)	48-660	48-660	48-660
Max current @ 40°C	55	75	100
Off-state leakage @ max voltage	5mA	5mA	5mA
Max 1 cycle surge current (Apk @ 25°C)	1200	1000	1200
Max 1 sec. surge current (Apk @ 25°C)	350	280	350

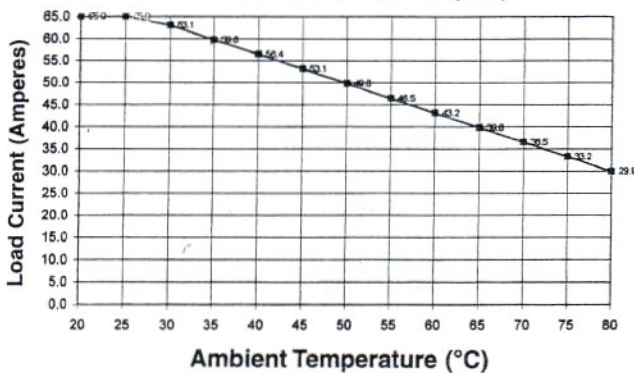
Input

	4-32Vdc	90-280Vrms
Control Voltage	4-32Vdc	90-280Vrms
Dropout Voltage	1Vdc	10Vrms
Max input current	14mA	10mArms
Min on state current	7mA	6mArms
Input Resistance	Current Regulated	

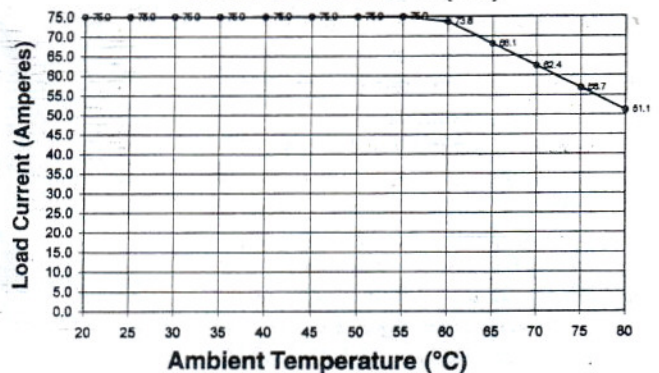
Fan Information

Part Number	99 484 451
Control Voltage	10.2 – 13.8 Vdc
Current	0.19 amps
Airflow	22 CFM
Operating Temperature	-10 to +72°C
Leads	UL 24AWG, + Red, - Black
Life Expectancy	70,000 hrs @ 25°C, 40,000 hrs @ 55°C, 25,000 hrs @ 65°C

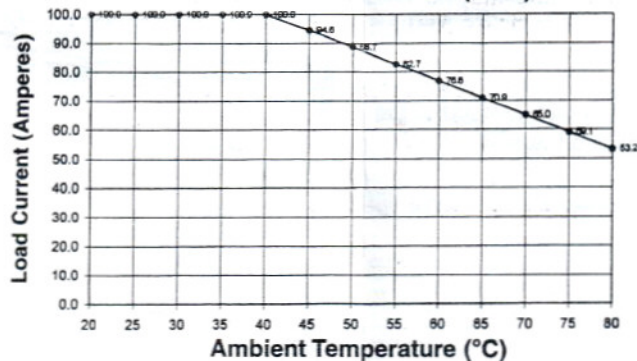
**DERATE CURVES:
55A GN SSR ON HS-10 (-50)**



**DERATE CURVES:
75A GN SSR ON HS-12 (-75)**



**DERATE CURVES:
100A GN SSR ON HS-12 (-100)**

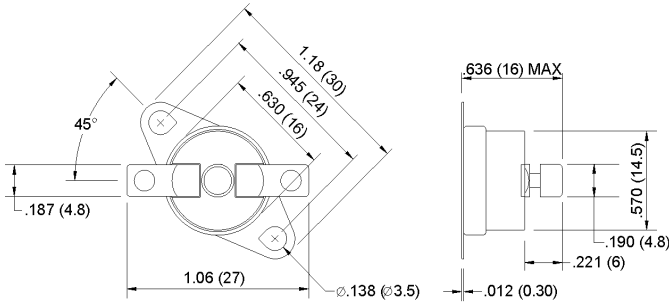


Products and specifications subject to change without notice.

Order/Technical Support – Tel: (800) 677-5311 / FAX: (800) 677-3865 / www.crouzet-usa.com

1/2" Disc Thermostats - Manual Reset

OM (603U-H) Series, Gold Contacts (603K)



SPECIFICATIONS

Electrical ratings - Type U-H	125VAC, 15 Amps, Resistive, 6,000 Cycles 250VAC, 10 Amps, Resistive, 6,000 Cycles
Inductive load ratings	120VAC, 5.8FLA, 34.8LRA, 12 Amps, 6,000 Cycles 250VAC, 2.9FLA, 17.4LRA, 6,000 Cycles
Electrical ratings - Type K (Type K not VDE approved)	30VDC, 1 Amp, Resistive, 6,000 Cycles 120VAC, 125VA (pilot duty), 6,000 Cycles
Temperature range UL approved models	120°F to 302°F (50°C to 150°C)
Non-UL approved models	302°F to 320°F (150°C to 160°C)
Manual reset	30% below operating temperature
Automatic reset	-40°F
Environmental temperature	32°F to 350°F (0°C to 177°C)
Insulation resistance	100M Ω or more (with a 500VDC megger)
Circuit resistance	50m Ω or less (initial value)
Dielectric strength	1,500VAC/1 minute
Approvals	UL Recognized File No. E145478(S), XAPX2 C-UL Recognized File No. E145478(S), XAPX8 CSA File No. LR63201 VDE File No. 135151 (Type U-H only) RoHS Compliant

APPLICATIONS

- Fireplaces
- Vacuum cleaners
- Food service equipment

This line of highly reliable switches utilize a snap-action bimetal disc, electrically and thermally isolated from the switch. The contacts are normally closed and open when surface or ambient temperature set point is reached. The circuit will remain open until the manual reset button is depressed at approximately 30% below operating temperature. All models are 100% temperature tested which can be calibrated to your specification at the factory.

Value Added options available including over-mold and seal. For details regarding Value Added options, see page 51.

Models available from stock - subject to availability • OM Series - Open On-Rise (normally closed)

Open On-Rise	Model Number	Open °F	Mounting	Terminals	Orientation from Mounting Holes
Open	OM-140-QC	140 \pm 10	surface	.250 quick connects, horizontal	90°
Open	OM-150-QCV	150 \pm 10	rotating bracket	.250 quick connects, vertical	●
Open	OM-160	160 \pm 10	surface	solder	45°
Open	OM-180-QC	180 \pm 10	surface	.187 quick connects, horizontal	45°
Open	OM-194	194 \pm 10	surface	solder	90°
Open	OM-195-QC	195 \pm 10	rotating bracket	.250 quick connects, horizontal	●
Open	OM-200-QCV	200 \pm 10	surface	.250 quick connects, vertical	90°
Open	OM-212-QC	212 \pm 10	rotating bracket	.250 quick connects, horizontal	●
Open	OM-225-QC	225 \pm 10	rotating bracket	.250 quick connects, horizontal	●
Open	OM-250	250 \pm 10	surface	solder	45°
Open	OM-250-QC	250 \pm 10	surface	.250 quick connects, horizontal	45°
Open	OM-260-SO	260 \pm 7	6-32 stud	.250 quick connects, horizontal	●
Open	OM-265-A	265 \pm 10	air	solder	45°
Open	OM-285-QC	285 \pm 10	surface	.250 quick connects, horizontal	45°
Open	OM-302-QCV	302 \pm 10	surface	.250 quick connects, vertical	90°
Open	OM-320	320 \pm 10	surface	solder	45°
Open	OM-320-QC	320 \pm 10	surface	.250 quick connects, horizontal	45°