

IEC Appliance Connector I for Cable Mounting, 70°C

NEW

4789

**Description**

- Rewireable plug for cable 90° entry:
- Screwing cable terminal
- Inlet, Pin temperature 70 °C, Protection class I
- Screw Clamp

Characteristics

- Qualified for use in equipment according IEC/EN 60950

Weblinks

Approvals:
RoHS:

Technical Data

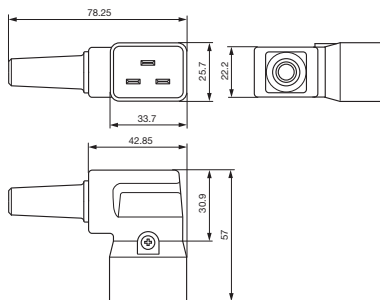
Ratings IEC	16 A / 250 VAC; 50 Hz
Ratings UL/CSA	21 A / 250 VAC; 60 Hz
Dielectric Strength	> 2 kVAC between L-N > 2 kVAC between L/N-PE (1 min/50 Hz)
Allowable Operation Temp.	-25 °C to 70 °C
Protection Class	Suitable for appliances with protection class I acc. to IEC 61140
Terminal	Screw
Material: Housing	Thermoplastic, black, UL 94V-0

Appliance-Inlet /-Outlet	I acc. to IEC/EN 60320-2-2, UL 498, CSA C22.2 no. 42 (for cold condition) pin-temperature 70 °C, 16 A, Protection class I
--------------------------	--

Dimensions

4789

Length |-----| 78 mm

**Variants**

Color	Max. cable diameter	Max. wire size	Order Number
black	8.7 mm	3 x 1.5 mm ² / 3 x 16 AWG	4789.1100
black	10.0 mm	3 x 2 mm ² / 3 x 14 AWG	4789.1200

Max. torque for screws: Terminal: 0.5 Nm, Cable clamp: 0.3 Nm, Cover: 0.3 Nm

Packaging unit

100 Pcs