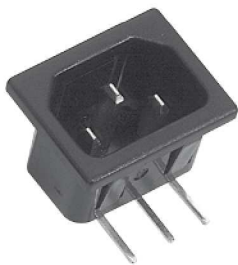



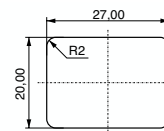


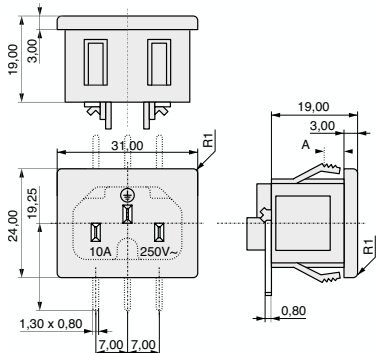
Power Inlet Snap-in, for PCB-termination



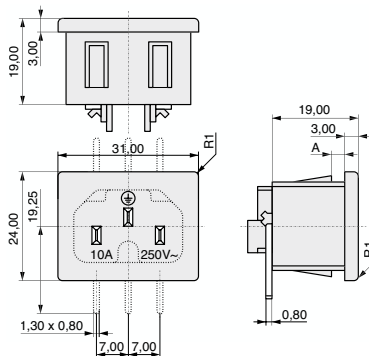
Rated current 10,0 A (16A acc. UL)
 Rated voltage 250 VRMS
 Approvals   



Variable snap-in



Fixed snap-in






PCB termination	wire term.	Z
to the bottom	qucik con.	10,0
to the bottom	solder	7,0
to the top	qucik con.	14,0
to the top	solder	7,0

C | D | N | A |

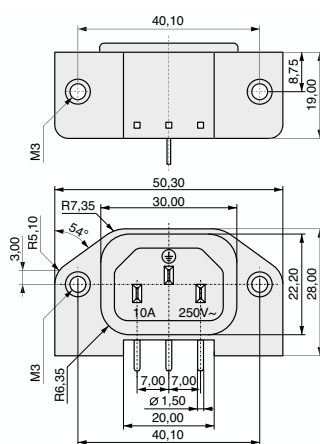
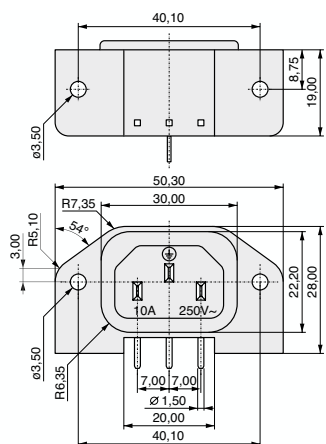
C | D | N | A |

PCB-flange Mount Power Inlet



Rated current 10,0 A (16A acc. UL)
 Rated voltage 250 VRMS
 Approvals   

With threaded inserts



C1

C1

C - Colour:
1 = Black

C1 - Colour:
6 = Black

