

TO : CUSTOMER

DATE : 2009.03.06




GREEN C&C TECH CO.,LTD
682-1 NEUNG-DONG HWASEONG CITY,KOREA
TEL : 82-31-233-3620,3621,3622
FAX : 82-31-233-3616

DOCUMENTATION FOR APPROVAL

PRODUCT : CCFL BACKLIGHT INVERTER

MODEL NAME : GH025A(A7)(RoHS INVERTER)

GCCT NAME : GCCT025AH

APPROVAL	CHECKED	WRITTEN
		

PLEASE RETURN ONE DOCUMENT AFTER APPROVED SIGN.

GREEN C&C TECH	<p style="text-align: center;">INVERTER SPECIFICATION (GH025A(A7))</p>	<p style="text-align: right;">R&D DATE : 2009.03.06</p>
----------------	--	---

NO	DATE	REVISION	PAGE

REVISION HISTORY

REV.											
Page											
REV.	0	0	0								
Page	12	13	14								
REV.	0	0	0	0	0	0	0	0	0	0	0
Page	1	2	3	4	5	6	7	8	9	10	11

GREEN C&C TECH	INVERTER SPECIFICATION (GH025A(A7))	R&D DATE : 2009.03.06
----------------	--	--------------------------

1. APPLICATION

This Document Specified The Detailed Product Requirements of Inverter
GH025A(A7)

2. SUITABLE LOAD

LCD MODULE : 7" ~15" 1 LAMP TFT LCD

3. ELECTRICAL CHARACTERISTICS

3-1. Absolute Maximum Ratings

ITEM	SYMBOL	SPEC	UNIT	REMARKS
INPUT VOLTAGE1	Vin1	10.8~13.2	V	
INPUT VOLTAGE2	Vin2	4.9~5.1	V	
OPERATING TEMPERATURE	Top	-20~80	°C	
STORAGE TEMPERATURE	Tstg	-30~80	°C	
RELATIVE HUMIDITY	RH	80	%	

3-2. Control Signal

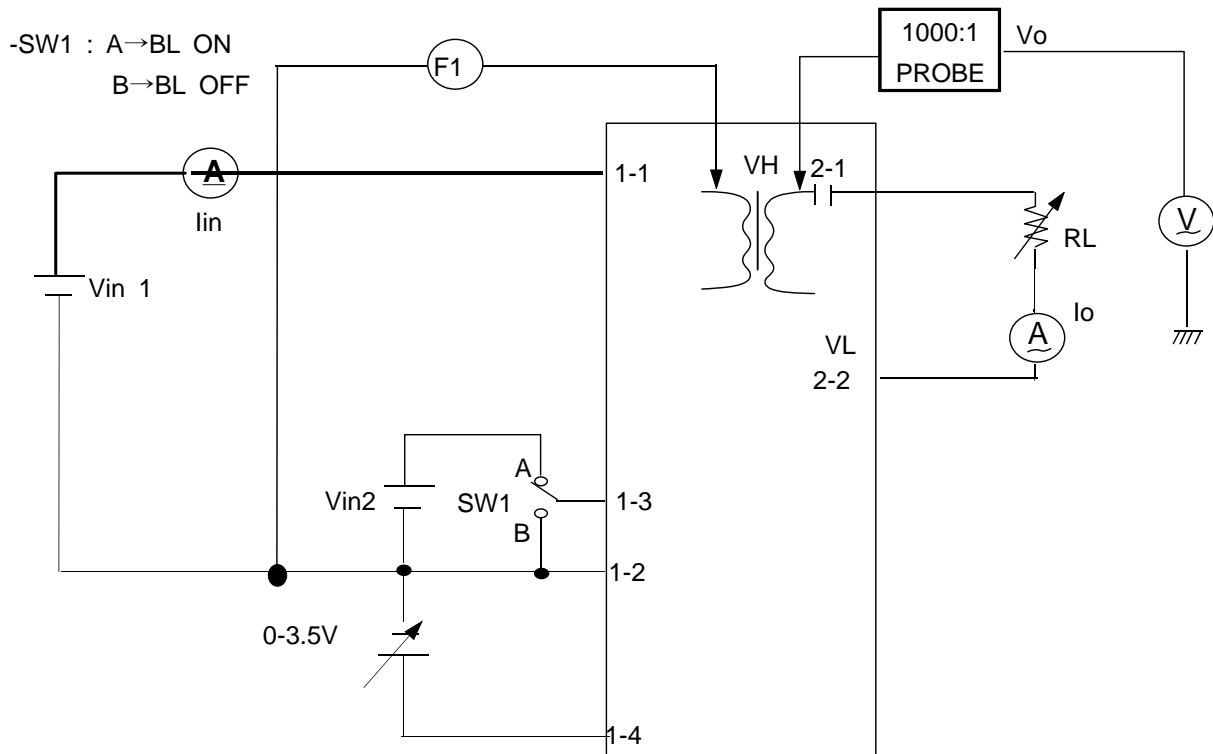
PIN NO.	SYMBOL	STATUS	ACTION	REMARKS
CN1 #3	BKLT_ON	HIGH	LAMP(CCFL)-ON	2.4~5.25V
		LOW	LAMP(CCFL)-OFF	0.8V MAX

GREEN C&C TECH	INVERTER SPECIFICATION (GH025A(A7))	R&D DATE : 2009.03.06
----------------	---	--------------------------

3-3. Output Characteristics

ITEM	SYMBOL	CONDITION			SPECIFICATION			UNIT
		Vin1(V) (DC-IN)	BRT- ADJ	RL(k Ω)	MIN	TYP	MAX	
OUTPUT CURRENT	Io(max)	12	0V	80 \pm 0.5	4.0	4.5	5.0	mArms
	Io(min)	12	3.5V	80 \pm 0.5	2.3	3.0	3.7	
INPUT CURRENT	lin	12	0V	80 \pm 0.5	0.1	0.3	0.5	ADC
FREQUENCY	F	12	0V	80 \pm 0.5	44	51	58	KHz
OPEN OUTPUT VOLTAGE	Vo	12	0V	∞	1.2	-	1.9	kVrms

3.4 Test Circuit



GREEN C&C TECH	INVERTER SPECIFICATION (GH025A(A7))	R&D DATE : 2009.03.06
----------------	--	--------------------------

4. INTERFACE

4.1 CN1 CONNECTOR :12505WR-05A00(P)(YEONHO) or equivalent

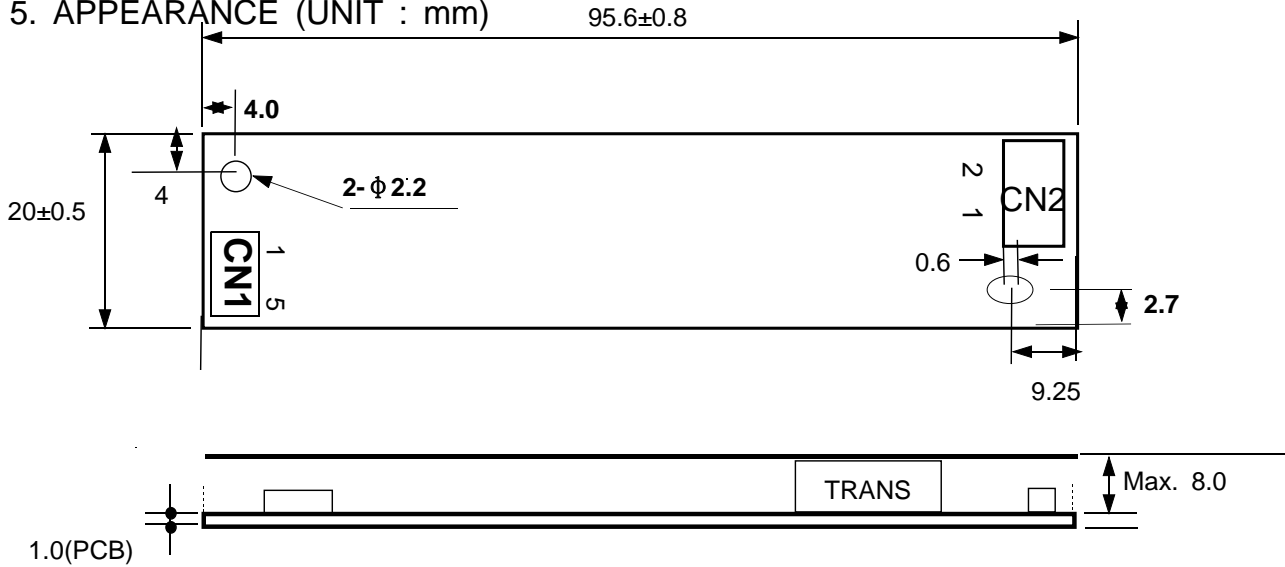
PIN NO	SYMBOL	REMARK
1	DC-IN(Vin)	DC INPUT Power (12V)
2	GND	GND
3	BL ON/OFF	CCFL Drive SIGNAL(Active HIGH)
4	BRT_ADJ	0 ~ 3.5V
5	N.C	

4.2 CN2 CONNECTOR : 35001WR-02A00(P)(YEONHO) or Equivalent

PIN NO.	SYMBOL	REMARK
1	HOT	HIGH
2	COLD	LOW

GREEN C&C TECH	INVERTER SPECIFICATION (GH025A(A7))	R&D DATE : 2009.03.06
----------------	--	--------------------------

5. APPEARANCE (UNIT : mm)



6. NOTATION OF LOT NUMBER

MARKING : BOTTOM OF PCB.



GH025A(A7)	: USER MODEL CODE
G	: MANUFACTURER CODE (GREEN C&C TECH.)
7	: YEAR OF PRODUCT 7 → 2007 , 8 → 2008 , ... , 1 → 2011
04	: WEEK OF PRODUCT 01,02,03,04,...52
0001	: SERIAL NUMBER 0001,0002.....9998,9999
AH	: GCCT MODEL CODE (GCCT025AH)