

# Single-axis controller S9



The single-axis controller S9 is a hallsensor switching device designed for electro-hydraulic applications. Due to its small size, the S9 is particularly suitable for installation in our ball handles. The single-axis controller is resistant to oil, maritime conditions e.g. offshore /vessels, UV radiation typically from the sun.



## Technical data

Mechanical life S9	5 million operating cycles
Operating force	1,6 til 3,5N
Supply voltage	5V DC stabilized
Operating temperature	-40°C til +60°C
Degree of protection	IP67



Example

**S9**      **- E10311**      **- X**

### Basic unit

S9

### Interface

Voltage output

E 1031  0,5...2,5...4,5V redundant at Ub=5V      1 axis  
 characteristic: = contra rotating, = concurrently rotating

### Special model

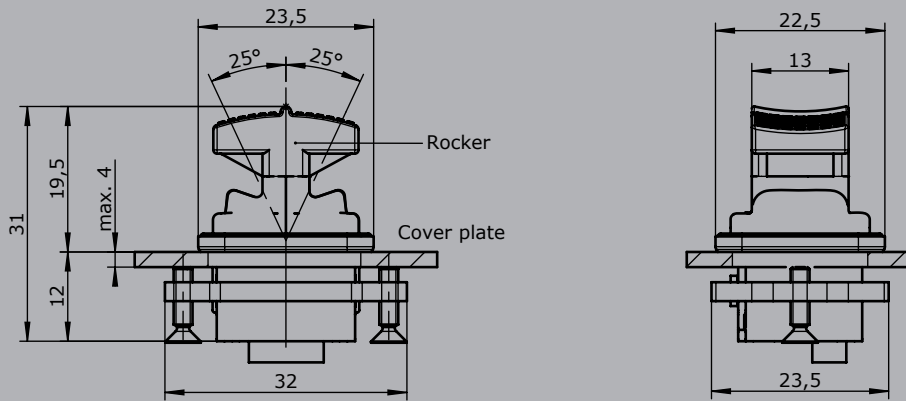
X Special / customer-specific

# Single-axis controller

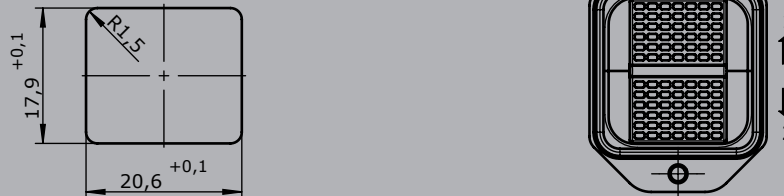
S9

1

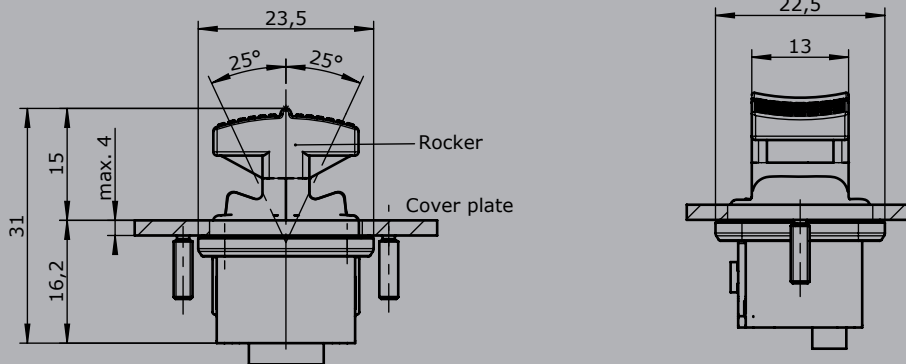
Installed from the top



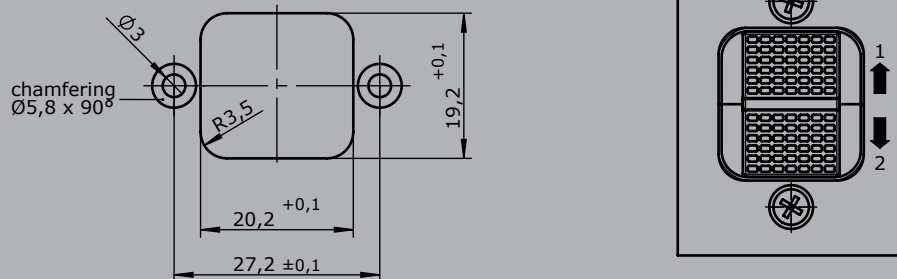
Hole pattern (installed from the top)



Installed from below



Hole pattern (installed from below)



Technical details may vary based on configuration or application! Technical data subject to change without notice!