

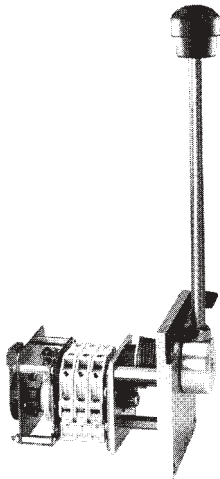


**GESSMANN**

Elektro-Trading sp. z o.o.  
tel. (032) 734-55-72  
et@elektro-trading.com.pl

## Single-axis controller S 6

1/216  
2002



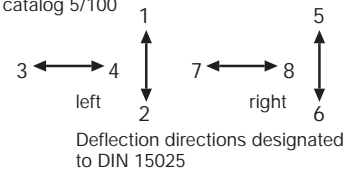
The single-axis controller S 6 is a rugged switching device according IEC 947-5-1 EN 60947 DIN VDE 0660-200 for hoisting applications. The modular design enables the switching device to be used universally. The S 6 is resistant to oil, maritime climate ozone and UV radiation.

**Contact complement** 2 A 250 V AC 15 res. 1 A 24 V DC 13 (standard)  
or 4 A 250 V AC 15 (special)

Mechanical life 10 million (operating cycles)  
Permissible ambient temperature Operation -40° C to + 60° C  
Storage -50° C to + 80° C

Climate resistance  
Damp heat constant DIN IEC 68 part 2-3  
Damp heat cyclic DIN IEC 68 part 2-30  
Degree of protection front IP 54 IEC 529 DIN 40050  
Technical data look catalog 5/100

Spindle block with schematic representation of the master controller installation and deflection directions. Version shown for Left-hand side installation (right-hand side installation is mirror image).



Pos.	S 6	Type	Weight gramm	Price EURO	
1		S 6	960		
2					
3					
4					
5					
10	Spring return in 0-position Friktion brake	Z	110		
11		R	30		
12					
13					
14					
20	Control-handle with push button 1 NO with flexible cable  Control handle with palm grip B 1 Control handle with palm grip B 1 with push button top 1 NO Control handle long or short 265, 225 mm	D	110		
21					
22					
23					
24					
25					
26				B 1	40
27				B 1D	60
28					
29					
30	Masterswitch switching sequence 4-0-4  Direction 1-2 or 3-4 Switching program according contact-arrangement MS... look catalog 5/001 or to your contact-arrangement  Switching sequence 5-0-5 or 6-0-6	No. of contacts		2 01 290	
31				4 02 350	
32				6 03 410	
33				8 04 470	
34				10 05 530	
35				12 06 590	
36					
40	Potentiometer e.t.c. each masterswitch with mounted Wire-wound potentiometer T 130, with centre tap linear Life 10 <sup>7</sup> switching cycle resistance 2 x 0,5/1/2/5/10 kOhm, 1,5 Watt wiper current max. 10 mA  Prepared for mounting potentiometer shaft 6 mm adjusting-angle 2 x 150° Prepared for mounting potentiometer e.t.c. adjusting-angle variable. more Potentiometer e.t.c. look catalog 1/240...	P	70		
41				(P)	
42				(P)	
43					
50	More housing look catalog 1/250				
51					
52					
60	Indicating labels not engraved with 2 arrows Engraved each 10 characters				
61					
62					
70	Command and indicating devices look catalog 1/260				

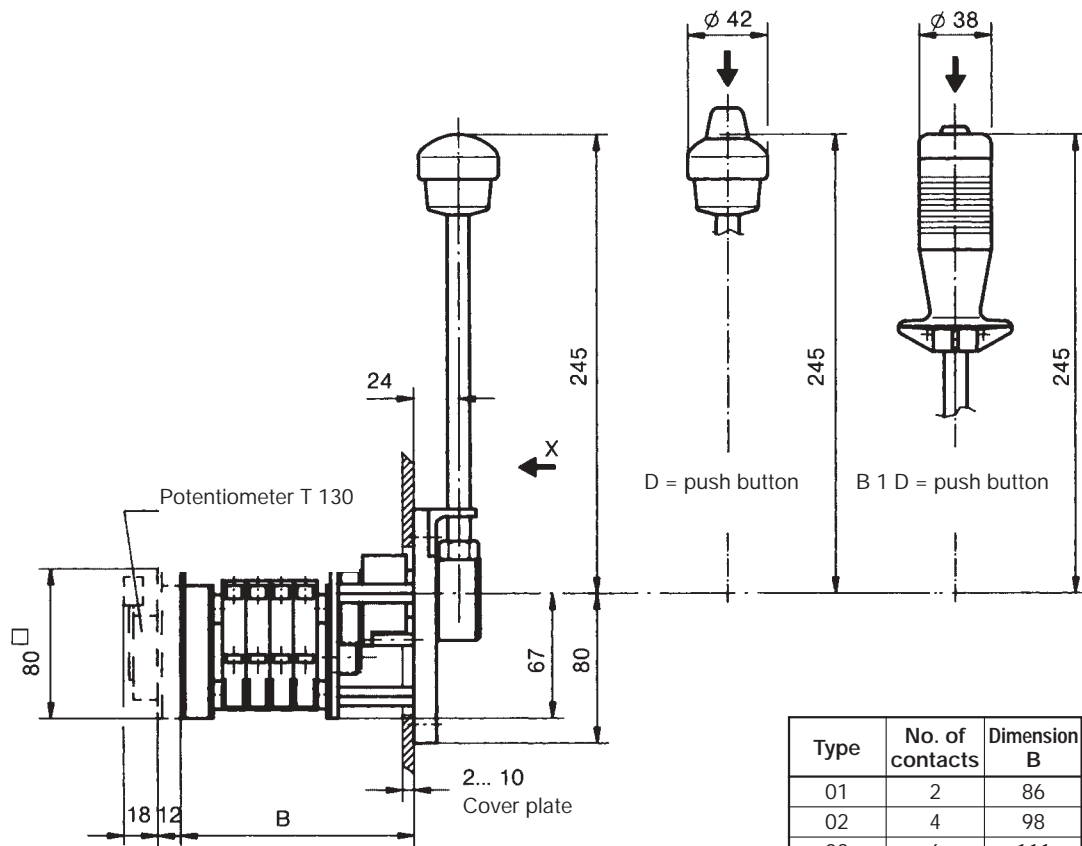


**GESSMANN**

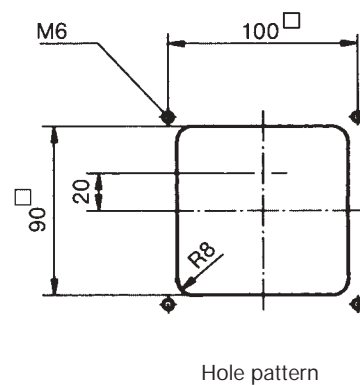
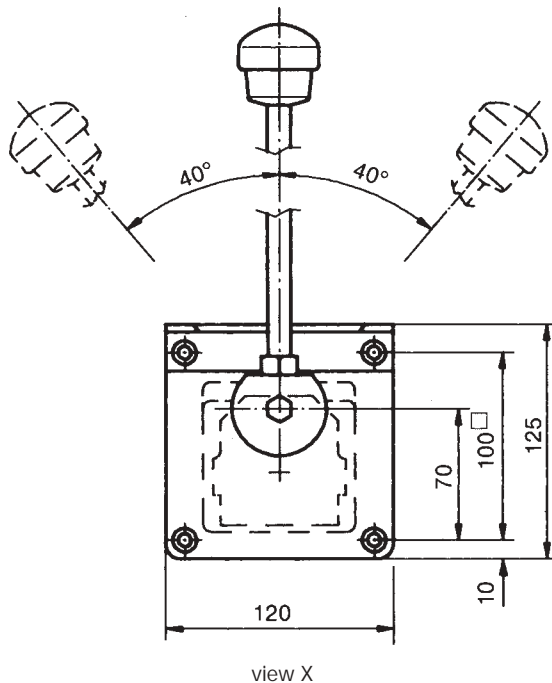
Elektro-Trading sp. z o.o.  
tel. (032) 734-55-72  
et@elektro-trading.com.pl

Single-axis controller S 6

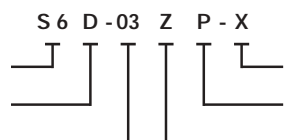
1/217  
2002



Type	No. of contacts	Dimension B
01	2	86
02	4	98
03	6	111
04	8	123
05	10	136
06	12	148



Example for type-sign  
Single-axis controller  
Push button  
Masterswitch direction 1-2



Special please to describe  
Potentiometer e.t.c.  
Spring return