

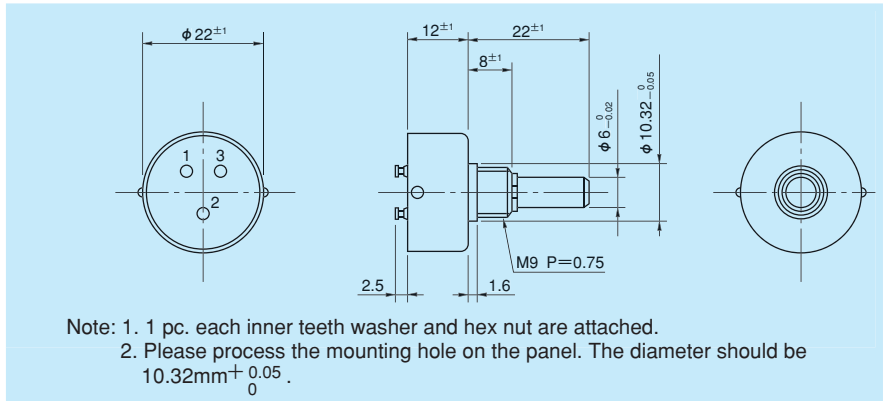
# MODEL FCP22AC

- Conductive Plastic
- Bushingmount
- Low-cost Item
- RoHS Compliant

## ● Standard Dimensions



Model FCP22AC  
(Metal Housing)



## ● General Specifications

<b>Standard Resistance Values</b>	1k, 2k, 5k, 10k (Ω)
<b>Special Practical Resistance Values</b>	500, 20k, 50k, 100k (Ω)
<b>Total Resistance Tolerance</b>	Standard Class ±15% (L) Precision Class ±10% (K)
<b>Independent Linearity Tolerance</b>	Standard Class ±1.5% Precision Class ±1.0%
<b>Resolution</b>	Essentially infinite
<b>Output Smoothness</b>	Within 0.1% against input voltage

<b>Contact Resistance Variation</b>	Within 2% C.R.V.
<b>Power Rating</b>	1.0W
<b>Electrical Travel</b>	320° ±5°
<b>Mechanical Travel</b>	360° (Endless)
<b>Insulation Resistance</b>	Over 1,000MΩ at 500V.D.C.
<b>Dielectric Strength</b>	1 minute at 500V.A.C.
<b>Starting Torque</b>	Within 5mN · m (50gf · cm)
<b>Resistance Temperature Coefficient</b>	±400p.p.m./°C
<b>Mass</b>	Approx. 20g

## ● Special Specifications Available

(In case of the potentiometer with special specifications, the general specifications and environmental specifications may change. Please consult us in advance.)

- Extra tap (Available up to 1 tap)
- Shaft with front and rear extension (Rear shaft with 3mm dia. and 20mm length)
- With stopper (Rotating angle is 320° and stopper strength is 0.9N · m [9kgf · cm])
- Special electrical travel
- Shaft dia. (φ 6.35mm) & bushing with inch dimension
- Special machining on the shaft

1-Turn ▶ Contact type ▶ Conductive plastic