

Data Sheet for Joysticks

Thumb Joystick

Series PW30



- 1 axis rocker
- Potentiometer or Hall sensors
- Spring return
- Ergonomic handle design

The PW30 series combines the advantages of joysticks for the control of analog parameters with the small space consumption of trackballs. The rocker can be integrated into panels as well as into bigger joysticks, e.g. our 891 series

Technical Data Mechanics

Angle of Movement	$\pm 15.. \pm 19^\circ$
Operating Force	24..30 mNm
Anschlagsfestigkeit	0,5 Nm
Vibration	10..55 Hz, 98 m/s ² (10G) MIL -STD-202F-204
Shock	294 m/s ² (30G) MIL-STD-202F-213
Weight	0,03 kg

Technical Data Potentiometer

Resistance Value / Tolerance	10 kOhm \pm 15%
Independent Linearity Tolerance	± 3 % full scale
Power Rating @40°C	0,1 W
Electrical Travel	30° \pm 5°
Return to Center Accuracy	± 3 %
Max. Wiper Current	1 mA
Expected Life	ca. 2.000.000 cycles
Protection Grade	Standard IP40 (up to IP54)

Technical Data Hall Sensor

Supply Voltage	5 VDC \pm 10 %
Current Consumption	7 mA (14 mA with Dual Output)
Min. Impedance	10 kOhm (>100 kOhm recommended)
Output Voltage	0,5..4,5 VDC ratiometric
Independent Linearity Tolerance	± 3 % full scale
Return to Center Accuracy	± 3 %
Expected Life	ca. 5.000.000 cycles
Protection Grade	IP65

Data Sheet for Joysticks

Thumb Joystick

Series PW30

Order Code

Series	PW30						
Axes 1 Axis		1					
Cover			1				
Spring Return to Center Position Spring Return to End Stop (*)				1 2 (*)			
Knobs Seesaw (standard) Flat shaped Rocker (*)					1 2 (*)		
Limiter						1	
Sensors / Signal Options Potentiometer Conductive Plastic R10k Hall Sensor Single Output Hall Sensor Dual Output Parallel Hall Sensor Dual Output Inverse							1 H HP HX

For joysticks available from stock please see our stock types list: <http://www.megatron.de/en/stocklists/joysticks/lagerliste.html>

Bold print = Standard options

(*) upon request

For series demands these and further customer-specific solutions are available

For example:

- Customer-specific cables and connectors

For technical advice, projects, samples, questions about pricing, delivery times and availability please contact us

Tel.: +49 89 46094-500
export@megatron.de

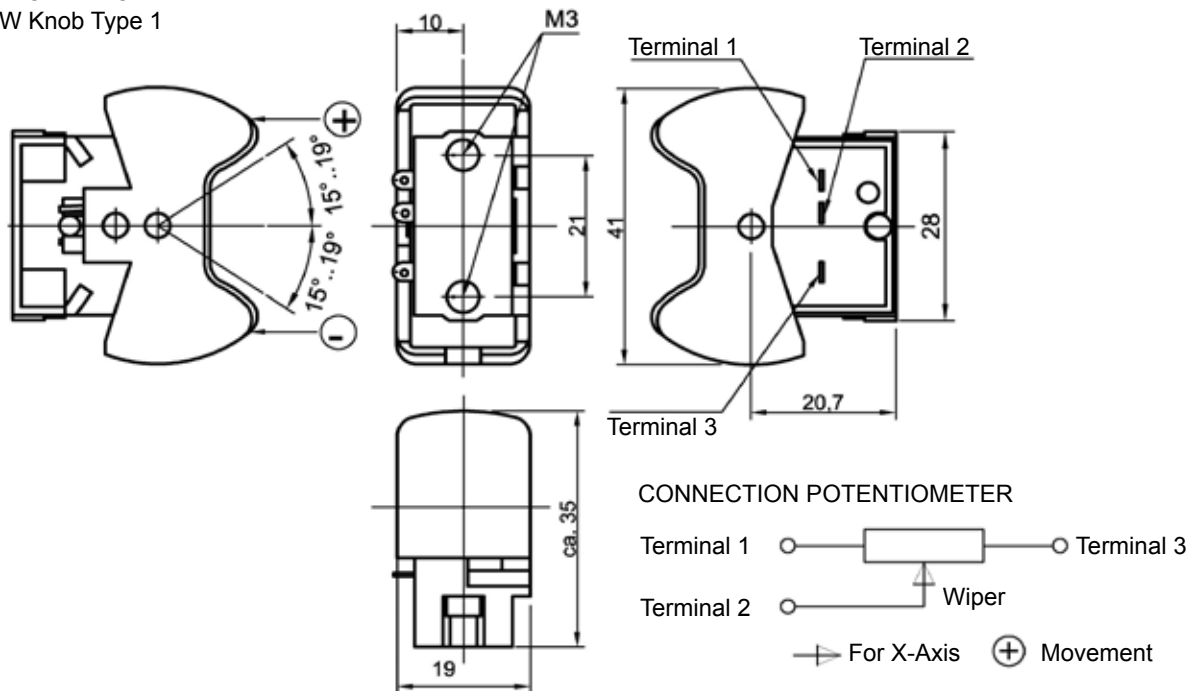
Data Sheet for Joysticks

Thumb Joystick

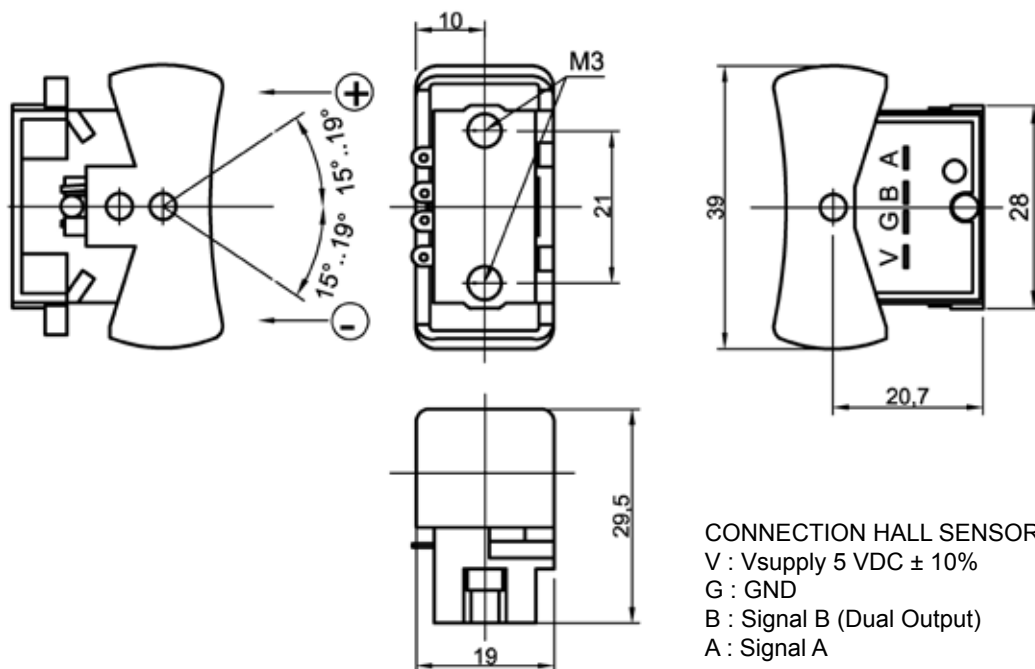
Series PW30

Technical Drawing and Connections

Sensor: POTENTIOMETER
SEESAW Knob Type 1



Sensor: HALL SENSOR
FLAT SHAPED Knob Type 2



All Dimensions in mm