

Data Sheet for Joysticks

Finger Joystick

Series 829



- 1 Axis, Spring Return or Friction Clutch
- Optional with Hall sensors or Potentiometer
- Resting position of handle in center position, at negative max. deflection or at any angle using a friction clutch

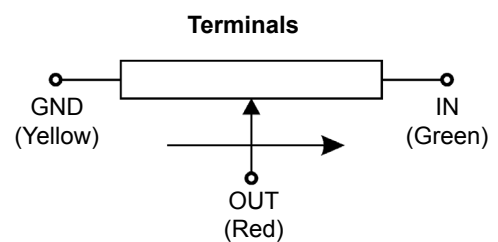
For the 829 series, several options are available: Rubber boot, handles, resistance value of potentiometers, additional switches.

Technical Data Joystick

Angle of Movement	$\pm 20^\circ$ from center
Operating Force	1.. 2,5 N (1 .. 5,5 N with Rubber Boot)
Return to Center Accuracy	$\pm 1^\circ$
Operating Temperature	-20°C .. +60°C
Vibration (MIL-STD-202F-204)	10..55 Hz 98 m/s ²
Shock (MIL-STD-202F-213)	294 m/s ²
Lifetime	typ. 2 million cycles
Weight	ca. 100 g
Protection Grade	IP40

Technical Data Potentiometer Type K

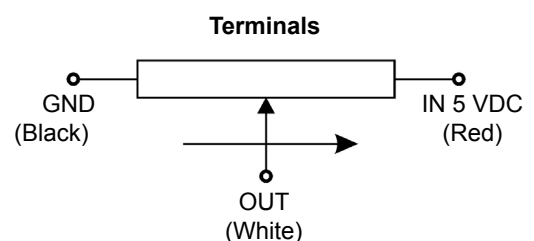
Technology	Conductive Plastic; Bearing
Nominal Total Resistance	10 k Ohm
Resistance Tolerance	$\pm 20\%$
Independent Linearity	$\pm 5\%$ full-scale
Power Rating @ 40°C	0,1 W
Effective Electrical Angle of Rotation	40°
Lifetime	typ. 2 million cycles
max. Wiper Current	1 mA



Wire AWG20, Length ca. 300 mm

Technical Data Hall Sensor Type H

Technology	Hall sensor
Supply Voltage	5 VDC $\pm 10\%$
Power Consumption	ca. 6 mA
Output Voltage	0,5 V.. 4,5 V
Independent Linearity	$\pm 3\%$ full-scale
Load Resistance	> 100k Ohm
Temperature Drift Output	< $\pm 2,5\%$ Uout full-scale
Temperature Drift Center Position	< 0,5% Uout full-scale
Insulation Resistance	> 100 MOhm @ 250 VAC
Lifetime	typ. 5 million cycles



Wire AWG20, Length ca. 300 mm

Data Sheet for Joysticks

Finger Joystick

Series 829

Order Code

Series	829								
Axes									
1 Axis		1							
Rubber Boot			5						
Square Dress Panel			8						
Spring Return				1					
Friction Clutch				6					
Handles									
Cylinder					2				
Ball Tip					3				
Flat					F				
Cylinder, with Pushbutton (*)					6 (*)				
Mounting Plate									
none						1			
Mounting Plate (*)						4 (*)			
Sensors									
Potentiometer Type K							K		
Hall Sensor Type H							H		
Micro Switches									
none								0	
Center Detect Switch (*)								1 (*)	
2 Micro Switches, ON @ ±5° (*)								2 (*)	
Additional Options									
Resistance Values Potentiometer (1k, 5k) (*)									RxK (*)
Center Tap (Potentiometer) (*)									CT (*)

(*) upon request

For higher quantities or on-going demand, additional options are available

For example:

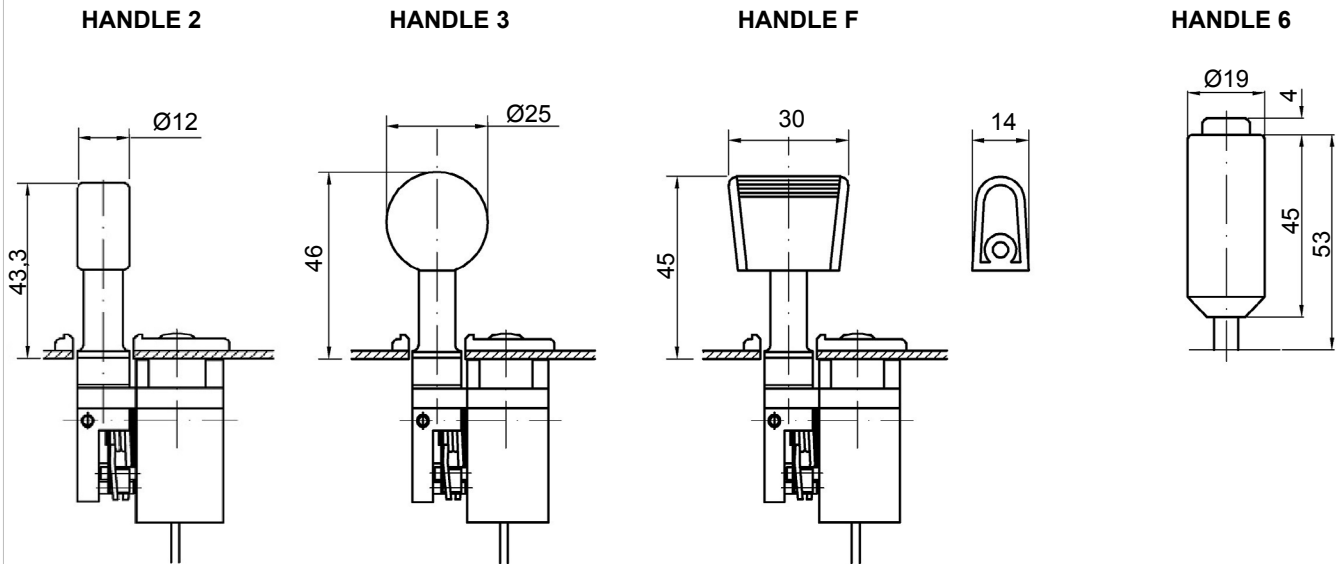
- Specific switch configurations
- Customer-specific cable

Data Sheet for Joysticks

Finger Joystick

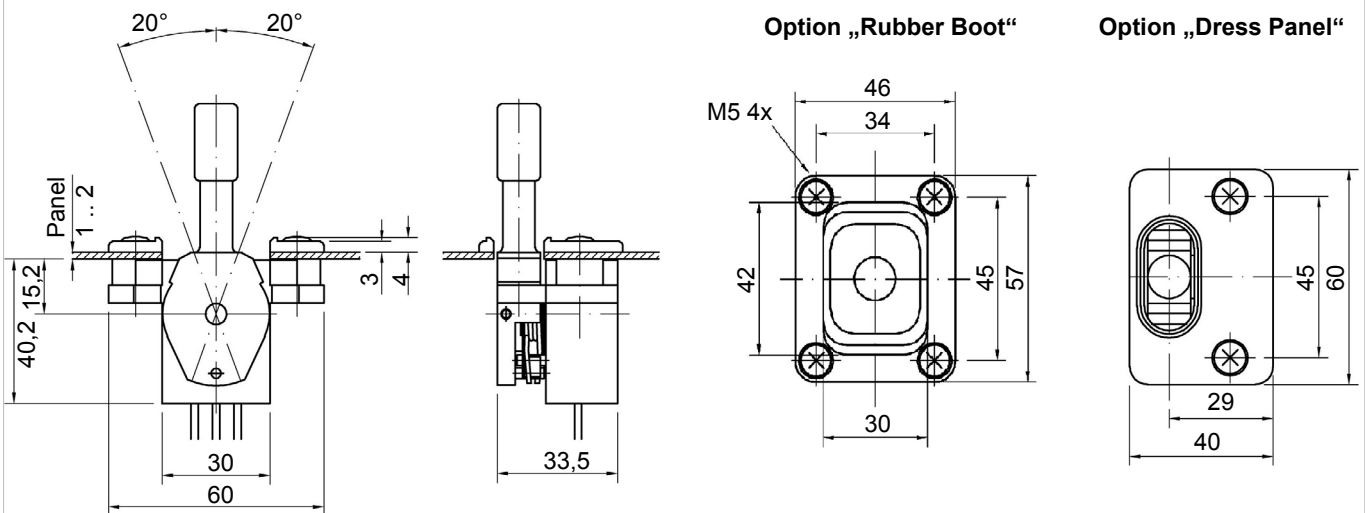
Series 829

Handle Versions



Dimensions in mm

Technical Drawing

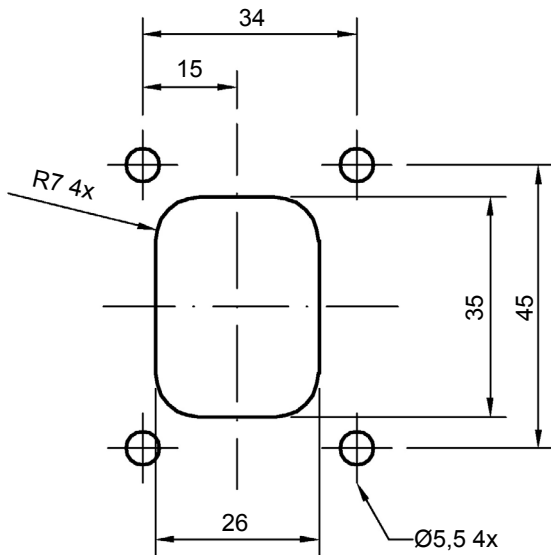


Dimensions in mm

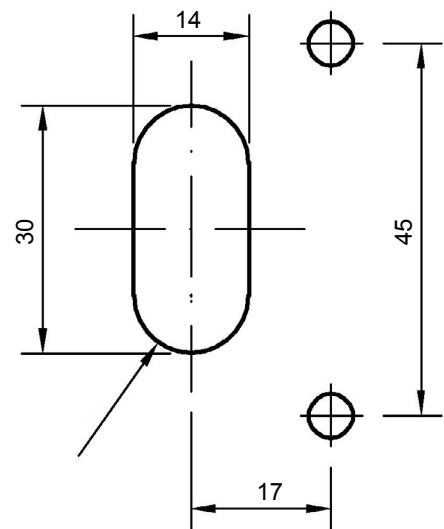
Mounting Options

PANEL CUT-OUT

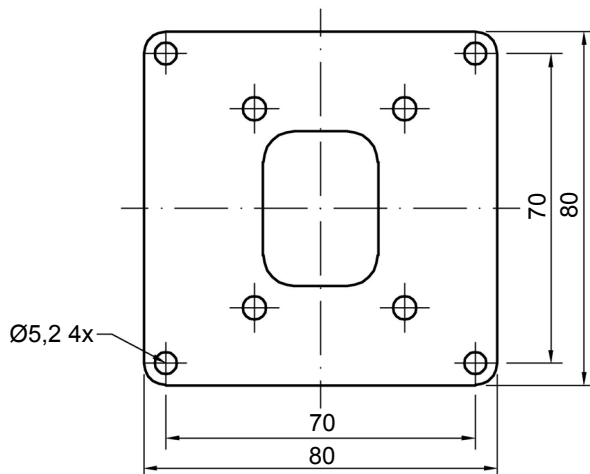
Option „Rubber Boot“



Option „Dress Panel“



Option „Mounting Plate“



Dimensions in mm