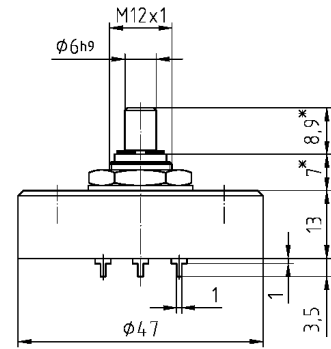


Precision Wirewound Potentiometer DP120-47 Lt (Mi)

Central fixing M12x1

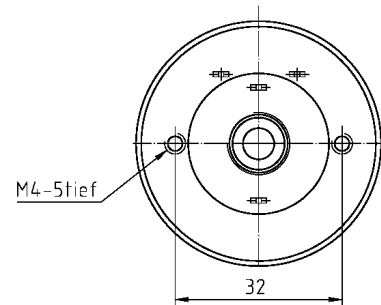
mechanical data

- 1.1 housing..... : glass fibre reinforced plastic
- 1.2 shaft..... : stainless steel $\phi 6_{h9}$
- 1.3 bearing..... : maintenance-free sliding bearing
- 1.4 resistor element..... : precision wire winding
- 1.5 slider tap..... : noble metal, single
- 1.6 housing protection class..... : IP 60
- 1.7 type of connection..... : solder connection
- 1.8 fixing element..... : central fixing M12 x 1
- 1.9 electrical rotation angle..... : $285^\circ -2^\circ +1^\circ$
- 1.10 mechanical rotation angle..... : $345^\circ \pm 1^\circ$
- 1.11 adjustment speed..... : max. 60 U/min
- 1.12 torque..... : up to 1 Ncm
- 1.13 life cycle..... : 1×10^6 slider path (360°)
- 1.14 shock resistance : 25 Ncm
- 1.15 tightening torque..... : 150 Ncm

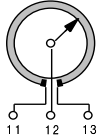


electrical data

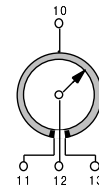
- 2.1 standard resistance values..... : see the table
- 2.2 resistance tolerance..... : $\pm 5\%$
- 2.3 the smallest initial resistance.. : 1% of the total resistance
- 2.4 linearity tolerance..... : $\pm 0,3\%$
- 2.5 insulation resistance..... : 20 M-Ohm
- 2.6 test voltage..... : 500 V, 50 Hz
- 2.7 operating voltage..... : max. 50 V
- 2.8 power rating..... : max. 2 Watt
- 2.9 slider load current..... : 1 mA (max., operating life)
- 2.10 temperature range..... : -50°C bis $+85^\circ\text{C}$
- 2.11 temperature coefficient..... : 20 ppm/ $^\circ\text{C}$



KK07012_02

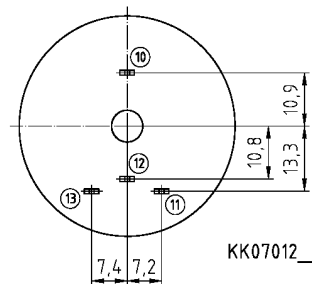


terminal plan		
point	function	colour
11	winding	brown
12	slider	white
13	winding	green



terminal plan		
point	function	colour
11	winding	brown
12	slider	white
13	winding	green
10	centre tap	yellow

Order #	Type	Centre tap with Dead zone $-2^\circ +1^\circ$	Total resistance K-Ohm
	DP120-47 Lt Mi	$+17,5^\circ / -17,5^\circ$	0,2
	DP120-47 Lt Mi	$+17,5^\circ / -17,5^\circ$	0,4
105105	DP120-47 Lt Mi	$+17,5^\circ / -17,5^\circ$	1
105106	DP120-47 Lt Mi	$+17,5^\circ / -17,5^\circ$	2
105107	DP120-47 Lt Mi	$+17,5^\circ / -17,5^\circ$	4
105502	DP120-47 Lt Mi	$+17,5^\circ / -17,5^\circ$	5
103832	DP120-47 Lt Mi	$+17,5^\circ / -17,5^\circ$	10
104595	DP120-47 Lt Mi	$+17,5^\circ / -17,5^\circ$	20
105940	DP120-47 Lt	---	1
105848	DP120-47 Lt	---	2
104596	DP120-47 Lt	---	5
104579	DP120-47 Lt	---	10
105805	DP120-47 Lt	---	22
105364	DP120-47 Lt	---	25
105738	DP120-47 Lt	---	47



KK07012_02

Included with delivery (not mounted):

part#: 101565 1 piece MS-U-disc nickelplated. 12.1x19x0,5
 part#: 101570 1 piece 6kt.-MS-nut M12x1 flat SW17