

Double-handle controller D8



The double-handle controller D8 is a robust switching device for the hoisting applications. The modular design enables the switching device to be used universally. The double-handle controller is resistant to oil, maritime conditions e.g. offshore /vessels, UV radiation typically from the sun.

Technical data

Mechanical life D8	8 million operating cycles
Operation temperature	-40°C to +85°C
Degree of protection	up to IP54 front



	D8	S5	Q / Q	-2ZP	+3 RP	-B	-A05 P184	+A050 P184	-E9012	-S...	-X
Basic unit											
D8											
Control-handle extended											
S5 -20 mm											
Grip- control-handle left											
Q T-grip											
Grip- control-handle right											
Q T-grip											
Axis 1 (direction 1-2)											
2 2 contacts (1,5A 24 V DC13)											
Z Spring return											
P Potentiometer											
Axis 2 (direction 3-4)											
3 3 contacts (1,5A 24 V DC13)											
R Friction brake											
P Potentiometer											
Cover housing											
B Cover housing											
Description axis 1 (direction 1-2)											
A05 Arrangement MSP21											
P184 Potentiometer T301 2 x 5 kOhm											
Description axis 2 (direction 3-4)											
A050 Arrangement MSP21-0											
P184 Potentiometer T301 2 x 5 kOhm											
Interface											
E9012 Potentiometer output for proportional valve PVG32											
Plug connector											
S... Standard plug connector (see page 138)											
Special model											
X Special / customer specified											

Example

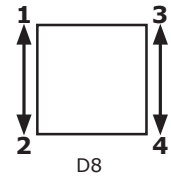
Technical details may vary based on configuration or application! Technical data subject to change without notice!

1

D8 S5 Q / Q -2 Z P +3 R P -B -A05 P184 +A050 P184 -E9012 -X

Basic unit	
D8	
Control-handle extended	
	Standard 160 mm*
S5	-20 mm
S8	+20 mm
*Only in combination with knob!	
Grip- control-handle left	
	Knob
M	Mechanical zero interlock
T	Dead man
H	Signal button
D	Push button
Q	T-grip
QD	T-grip with push button side
B10...	Palm grip B10... (see page 197)
Grip- control-handle right	
	Knob
M	Mechanical zero interlock
T	Dead man
H	Signal button
D	Push button
Q	T-grip
QD	T-grip with push button side
B10...	Ball handle B10... (see page 197)

Identification of the installation variants with switching directions:



D8 S5 Q / Q -2 Z P +3 R P -B -A05 P184 +A050 P184 -E9012 -X

Axis 1: direction 1-2 left		D8	S5	Q / Q	-2 Z P	+3 R P	-B	-A05	P184	+A050	P184	-E9012	-X
1	1 contact	Standard contact - arrangement see page 140											
2	2 contacts	e.g.											
3	3 contacts	A98											
		A05											
		A050											
		A99 contact - arrangement for customer request											
Z	Spring return												
R	Friction brake												
(P)	Mounting options for potentiometer and encoder (Gessmann-types)												
P	Potentiometer	P181	T301 2 x 0,5 kOhm	I max. 1 mA									
		P182	T301 2 x 1 kOhm	I max. 1 mA									
		P183	T301 2 x 2 kOhm	I max. 1 mA									
		P184	T301 2 x 5 kOhm	I max. 1 mA									
		P185	T301 2 x 10 kOhm	I max. 1 mA									
		More potentiometers on request!											
H	Hall-potentiometer	E14811	0,5...2,5...4,5 V / 4,5...2,5...0,5 V										

Technical details may vary based on configuration or application! Technical data subject to change without notice!

Combination possibilities with our handles



D8 S5 Q / Q -2 Z P +3 R P -B A05 P184 +A050 P184 -E9012 -X

Axis 2: direction 3-4

1	1 contacts	Standard contact - arrangement see page 140		
2	2 contacts	e.g.		
3	3 contacts	A98		
		A05		
		A050		
		A99 contact - arrangement for customer request		
Z	Spring return			
R	Friction brake			
(P)	Mounting options for potentiometer and encoder (Gessmann-types)			
P	Potentiometer	P181	T301 2 x 0,5 kOhm	I max. 1 mA
		P182	T301 2 x 1 kOhm	I max. 1 mA
		P183	T301 2 x 2 kOhm	I max. 1 mA
		P184	T301 2 x 5 kOhm	I max. 1 mA
		P185	T301 2 x 10 kOhm	I max. 1 mA
		More potentiometers on request!		
H	Hall-Potentiometer	E14811	0,5...2,5...4,5 V / 4,5...2,5...0,5 V	

D8 S5 Q / Q -2 Z P +3 R P -B A05 P184 +A050 P184 -E9012 -X

Cover housing

B Cover housing

Interface

E901	1	Potentiometer output for proportional valve PVG32 0,25...0,5...0,75 Us	1 axis
	2		2 axis

Special model

X Special / customer specified

Double-handle controller D8

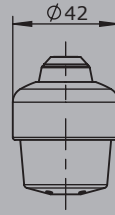
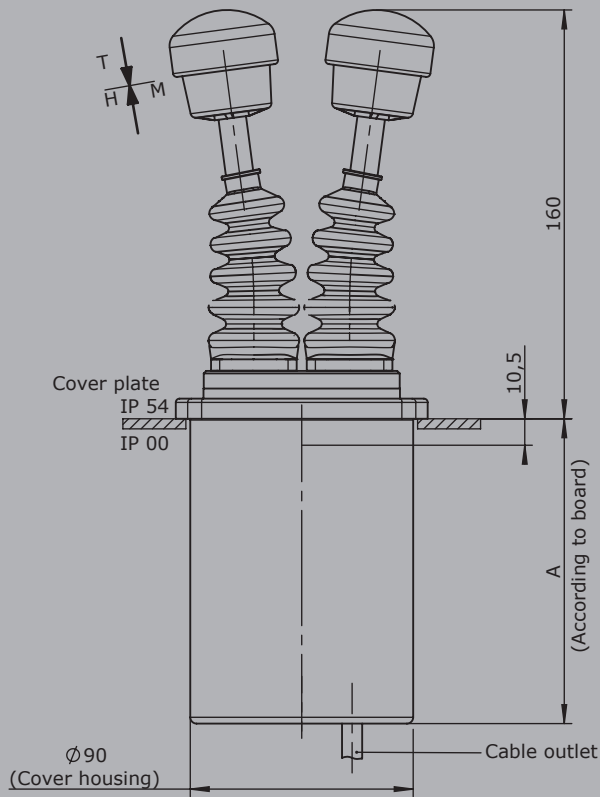


1

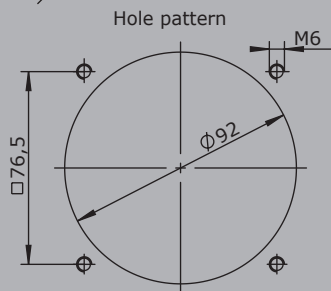
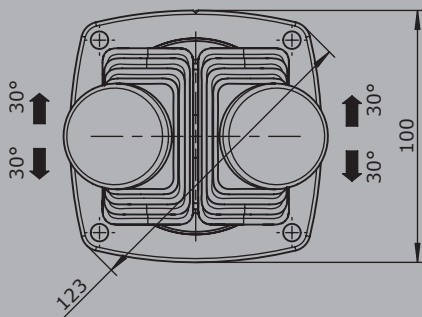
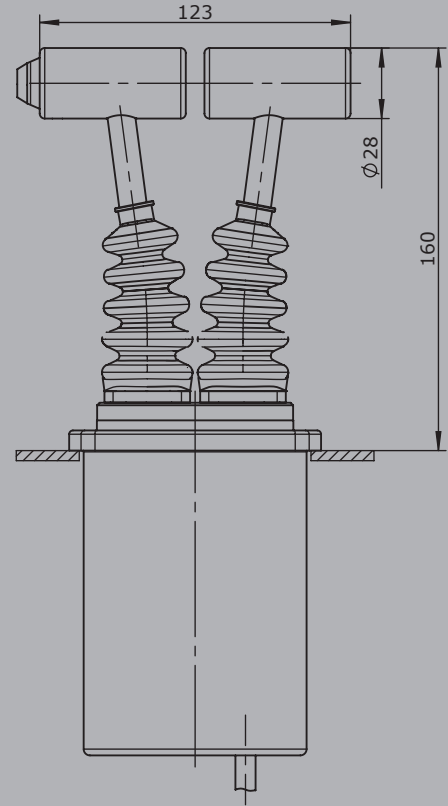
T = Dead man's button
H = Signal button
M = Latch for mechanical zero interlock

Knob solid
D= Push button

T - grip
D= Push button



To build in:
Direction 1-2
Direction 3-4



Technical details may vary based on configuration or application! Technical data subject to change without notice!