

Double-handle controller D3



The double-handle controller D3 is a robust switching device for nautical navigation applications. The modular design enables the switching device to be used universally. The double-handle controller is resistant to oil, maritime conditions e.g. offshore /vessels, UV radiation typically from the sun.



Technical data

Mechanical life D3	12 million operating cycles
Operation temperature	-40°C to +60°C
Storage temperature	-50°C to +80°C
Degree of protection	IP66 front



	D3	S5	Q / Q	-2 R P	+3 R P	Example		-B	-A05 P484	+A05 P484	-E1292	-S...	-X
Basic unit	D3												
Control-handle extended	S5	-20 mm											
Grip- control handle left	Q	T-grip											
Grip- control handle right	Q	T-grip											
Axis 1 (direction 1-2)	2	2 contacts (1,5A 24 V DC13)											
R		Friction brake											
P		Potentiometer											
Axis 2 (direction 3-4)	3	3 contacts (1,5A 24 V DC13)											
R		Friction brake											
P		Potentiometer											
Cover housing	B	Cover housing											
Description axis 1 (direction 1-2)	A05	Arrangement MSP21											
P484		Potentiometer T318 2 x 5 kOhm											
Description axis 2 (direction 3-4)	A050	Arrangement MSP21-0											
P484		Potentiometer T318 2 x 5 kOhm											
Interface	E1292	Voltage output 0...5...10 V											
Plug connectors	S..	Standard plug connectors (see page 133)											
Special model	X	Special / customer specified											

Technical details may vary based on configuration or application! Technical data subject to change without notice!

Double-handle controller D3

Combination possibilities with our handles

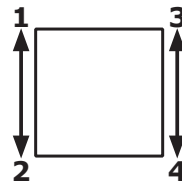


1

D3 S5 Q / Q - 2 R P + 3 R P - B - A05 P484 + A050 P484 - E1292 - X

Basic unit	D3
Control-handle extended*	Standard 148 mm S5 -20 mm S8 +20 mm <i>*Only available in combination with handle!</i>
Grip-control-handle left	Knob D Push button Q T-grip QD T-grip with push button side
Grip-control-handle right	Knob D Push button Q T-grip QD T-grip with push button side

Identification of the installation variants with switching directions:



D3

D3 S5 Q / Q - 2 R P + 3 R P - B - A05 P484 + A050 P484 - E1292 - X

Axis 1: direction 1-2 left			
1	1 contact	Standard contact- arrangement see page 135	
2	2 contacts	e.g.	
3	3 contacts	A98	MS0
		A05	MS21
		A050	MS21-0
		<i>A99 contact - arrangement according customer request</i>	
R	Friction brake		
(P)	Mounting options for potentiometer and (Gessmann-types)		
P	Potentiometer	P484	T318 2 x 5 kOhm I max. 1 mA
		<i>More potentiometers on request!</i>	
H	Hall-Potentiometer	E14811	0,5...2,5...4,5 V / 4,5...2,5...0,5 V

If both axis identical, it's enough to describe one axis!
 Example: ...A05P214 + A05P214 => A05P214

D3 S5 Q / Q - 2 R P + 3 R P - B - A05 P484 + A050 P484 - E1292 - X

Axis 2: direction 3-4 left

1	1 contact	Standard contact- arrangement see page 135		
2	2 contacts	e.g.		
3	3 contacts	A98	MS0	
		A05	MS21	
		A050	MS21-0	
		<i>A99 contact - arrangement according customer request</i>		
R	Friction brake			
(P)	Mounting options for potentiometer (Gessmann-types)			
P	Potentiometer	P484	T318 2 x 5 kOhm	I max. 1 mA
		<i>More potentiometers on request!</i>		
H	Hall-Potentiometer	E14811	0,5...2,5...4,5 V / 4,5...2,5...0,5 V	



D3 S5 Q / Q - 2 R P + 3 R P - B - A05 P484 + A050 P484 - E1292 - X

Cover housing

B Cover housing

Interface (description the following pages)

Potentiometer output
 E1xx Voltage output
 E2xx Current output

Special model

X Special / customer specified

Voltage outputs

Supply voltage	11,5-32 V DC		
Wiring	Cable 300 mm long without plug connector		
	Optional with plug connector (<i>standard plug connectors see page 133</i>)		S
0...5...10 V per axis		1 axis	E129 1
		2 axis	2
10...0...10 V per axis		1 axis	E141 1
		2 axis	2
-10...0...+10 V per axis		1 axis	E140 1
		2 axis	2
<i>Voltage output with other value on request!</i>			

Double-handle controller D3

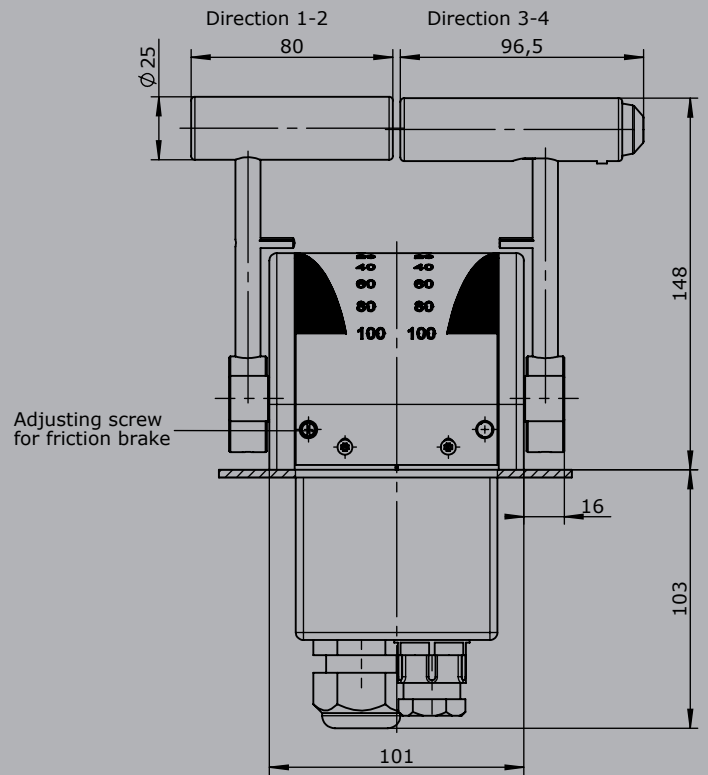
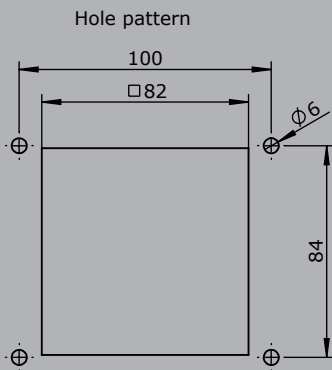
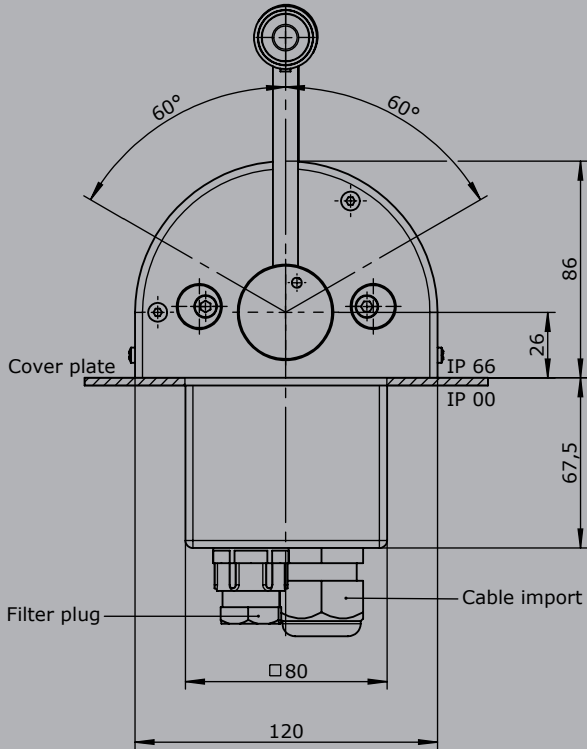
Current outputs

Supply voltage	18-36 V DC		
Wiring	Cable 500 mm long without plug connector		
	Optional with plug connector (<i>standard plug connectors see page 133</i>)		S
4...12...20 mA per axis		1 axis	E209 1
		2 axis	2
20...4...20 mA per axis		1 axis	E217 1
		2 axis	2

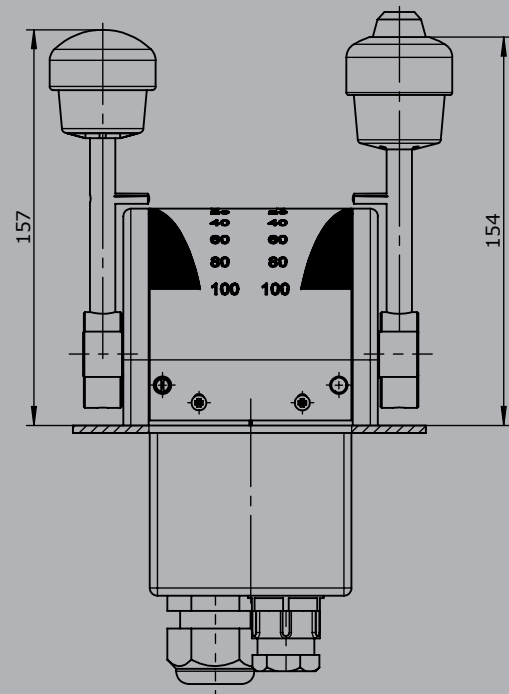
1

Double-handle controller D3

T= grip
D=Push button



Knob solid
D= Push button



1