

Conductive Plastic Angle Sensor

CPP-45 Series

- Conductive Plastic Angle Sensor
- Effective Electrical Travel : 350°
- Independent Linearity : $\pm 0.3\%$ (Special Linearity : $\pm 0.1\%$)
- Servo Mount and Screw Mount

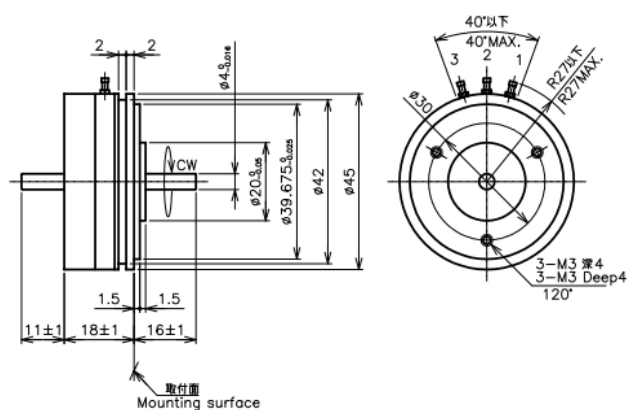
- CPP-45 : $\phi 4$ mm Shaft
- CPP-45B : $\phi 6$ mm Shaft

【Material】

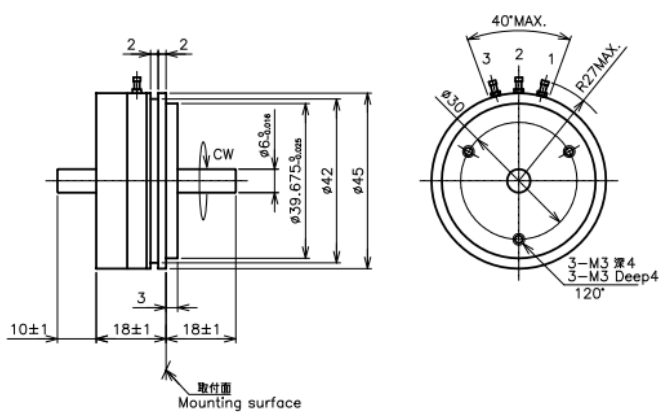
- Housing : Aluminum
- Shaft : Stainless Steel
- Ball Bearing : Stainless Steel

■ Dimension [mm]

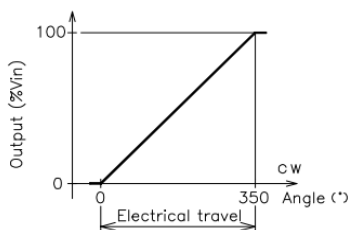
CPP-45



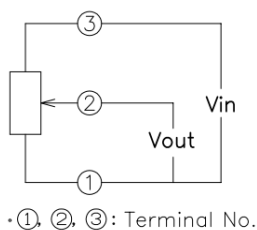
CPP-45B



Output Characteristics

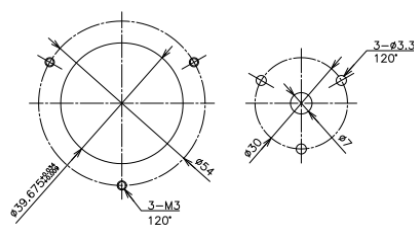


Schematic



①, ②, ③: Terminal No.

Mounting



Servo Mount

Screw Mount

[Model No.]	CPP-45 < φ 4mm Shaft >	CPP-45B < φ 6mm Shaft >
-------------	----------------------------------	-----------------------------------

[Electrical Specifications]

Effective Electrical Travel	350 +2, -3	°
Total Resistance	0.5, 1, 2, 5, 10, 20	kΩ
Total Resistance Tolerance	±15	%
Independent Linearity	±0.3 (Special Linearity ±0.1%)	%
Rated Dissipation	3/70°C	W
Output Smoothness	MAX. 0.1	%
Insulation Resistance	MIN. 100/DC1000V	MΩ
Dielectric Strength	AC1000/1 Minute	V
Temperature Coefficient of Resistance	±400	ppm/K

[Mechanical Specifications]

Total Mechanical Travel	360 Endless	°	
Torque	MAX. 1.8 (Additional 1.2mN·m/add one gang)	mN·m	
Thrust Load Tolerance	1	2	N
Radial Load Tolerance	5	6	N
Mass	Approx. 60 (Additional 10g/add one gang)		g

[Environmental Specifications]

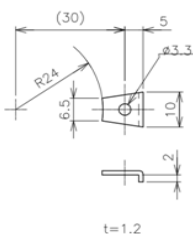
Life Cycles	10 Million	Cycle
Category Temperature Range	-40 ~ +120	°C
Storage Temperature Range	-40 ~ +120	°C
Vibration	150m/s ² 2000Hz 3 axis 2 hours each	
Shock	500m/s ² 11ms 6 directions 3 times	

Options

- Multi Ganging : More than 4 sections, please contact us.
- Additional Taps : Up to 8 taps
 For Output : Type (A) ... No shorted angle
 For Input : Type (B) ... 1~5° shorted on Tap
- Additional Center Tap:
 C.T(A) ... No shorted angle
 C.T(B) ... Shorted on Tap (Shorted angle 1~5°)

Accessories

Mounting Cleats : 3 pieces



Handling Instruction

- To avoid burnout of resistive element, do not supply more than 1mA current to terminal 2.
- Miswiring might cause burnout of resistive element.
- To reduce sliding noise, add load resistance should be more than 100times and less than 1000times of total resistance.
- Slight continuous vibration such as dither might cause short lifetime of the sensor.