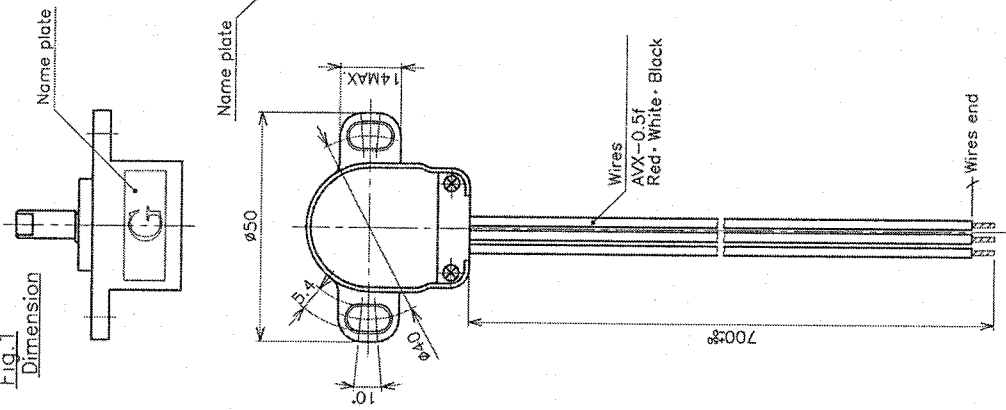
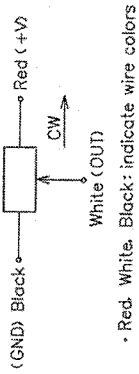


**This product compliance with RoHS.**

**Fig.1**  
Dimension

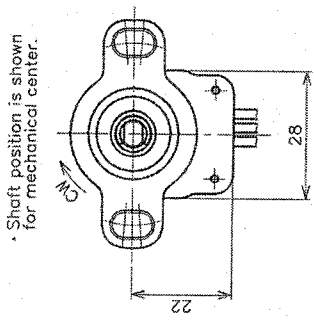


**Fig.3**  
Schematics

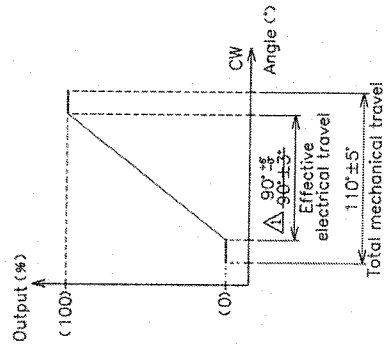


**Specifications**

- Effective electrical travel :  $\Delta 90^{\circ} \pm 3^{\circ} - 90^{\circ} \pm 3^{\circ}$
- Output characteristics : See Fig.2
- Total resistance :  $1k\Omega \pm 20\%$
- Independent linearity :  $\pm 2\%$
- Output resolution : Essentially infinite
- Input voltage : DC18V MAX./ +50C
- Output smoothness : 0.1% MAX.
- Insulation resistance : 100M $\Omega$  MIN. DC1000V
- Dielectric strength : AC1000V 1 minute
- Temperature coefficient of resistance :  $\pm 400ppm/K$
- Total mechanical travel :  $110^{\circ} \pm 5^{\circ}$
- Torque : 20mN·m MAX.
- Mass : Approx. 60g
- Radial load tolerance : 4N
- Thrust load tolerance : 3N
- Operating temperature range :  $-40^{\circ} \sim +100^{\circ}C$
- Vibration : 245m/s<sup>2</sup>, 20~500Hz 3axis 2hours.
- Shock : 500m/s<sup>2</sup>, 11ms 3axis 5directions 3times.
- IP Level : IP65 (Except wires end)
- Dimension : See Fig.1
- Schematics : See Fig.3



**Fig.2**  
Output characteristics



REFERENCE DRAWING

MODEL: CP-2FABSJ-124

APPROVED	T. Yamazaki	DATE	8. 8. 2014	MIDORI PRECISIONS CO., LTD.	
CHECKED	T. Yamazaki	TOLERANCE	±1.0 / ±0.25	DRAWING NO.	REV.
DRAWN	K. Yoshino	SCALE	10x / *100 / ±0.5	1:1	
		ANGLE	±1.0 / ±1.5		
		PRACTICE			

REV	DATE	DESCRIPTION	APPROVED	CHECKED	DRAWN
Δ	5.11.2015	CORRECTED: 2 ITEMS	T. Yamazaki	T. Yamazaki	K. Yoshino

C-MPE-B61 1