

## INTERFACE PIN CONNECTION

### (1) CN 3, 4(Backlight)

Backlight-side connector: BHSR-02VS-1(JST)

Inverter-side connector: SM02B-BHSS-1-TB

Pin No.	Symbol	Function
1, 2	CTH	VBLH (High Voltage)

[Note] VBLH-VBLL = VL

### (2) CN 5, 6(Backlight)

Backlight-side connector: BHR-02VS-1(JST)

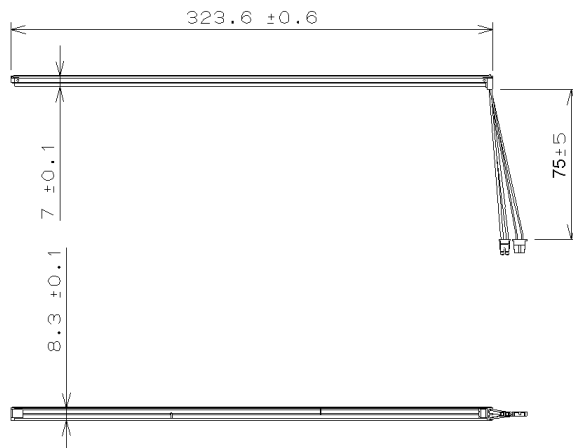
Inverter-side connector: SM02(4.0)B-BHS-1-TB

Pin No.	Symbol	Function
1, 2	CTL	VBLL (Low Voltage)

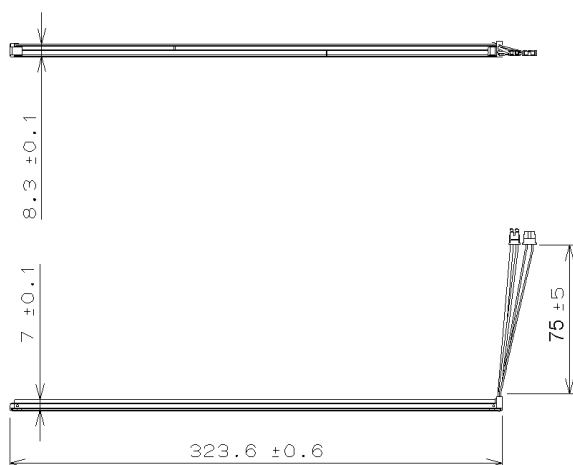
[Note] VBLH-VBLL = VL

## DRAWING OF OUTLINE DIMENTIONS

### (1) AA-L5902086G01(Top)



### (2) AA-L5902087G01(Bottom)



# METHOD OF REPLACING THE LAMP UNIT

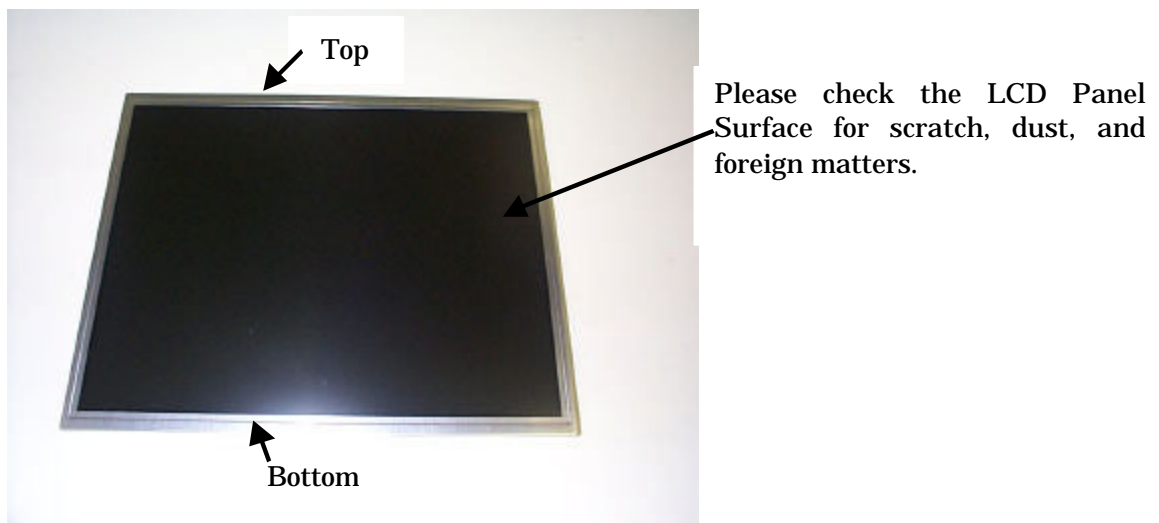
## (1) Precautions

Please pay attention to the following items while replacing the Lamp Unit.

- a. Please do not damage the LCD Panel Surface, and do not touch it with bare hands.  
(Wearing gloves is recommended.)
- b. Please be careful with electrostatics, and work in clean environment to prevent entering dust and/or foreign matters that will cause bad display image.  
(Using clean bench or similar environment is recommended.)
- c. Please be careful of the edge of the frame metal.
- d. Please replace top and bottom lamp units at the same time. Replace only one lamp unit will cause inferior display image.

## (2) Method of replacing the Lamp Unit

- 1) Put the TFT-LCD Module on the table.(LCD Panel Surface is upside.)



Picture 1

- 2) Turn the TFT-LCD Module upside down.

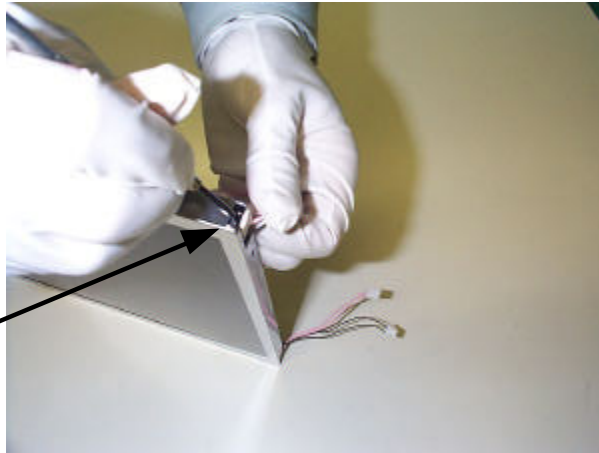
Please check the rear surface for dust and foreign matters.



Picture 2

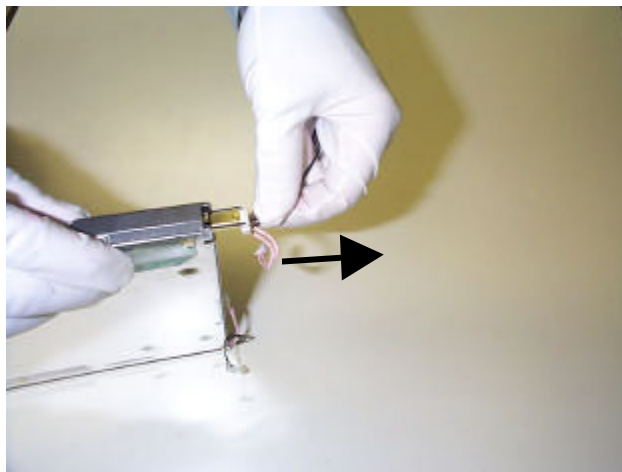
- 3) Stand the TFT-LCD Module up and push down the latch of rubber holder with that Lamp Unit fastens using a screw driver(-) and the like.

Push down the latch of rubber holder.



Picture 3

- 4) Pull the black cable slowly and remove the Lamp Unit. (Do not tug at the pink cable.)



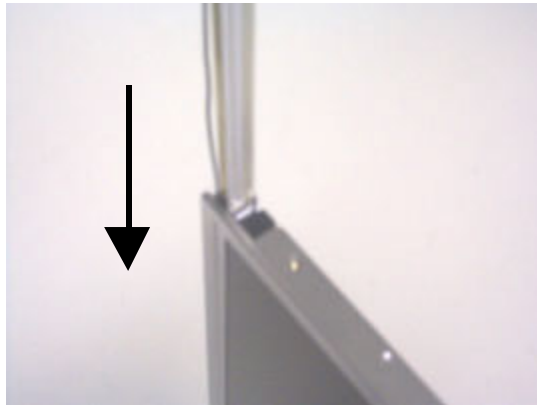
Picture 4

- 5) Remove the other Lamp Unit at the opposite(bottom) side of LCD Module in the same way. See.3) and 4)
- 6) Picture 5 shows the TFT-LCD Module after removing the Lamp Units.



Picture 5

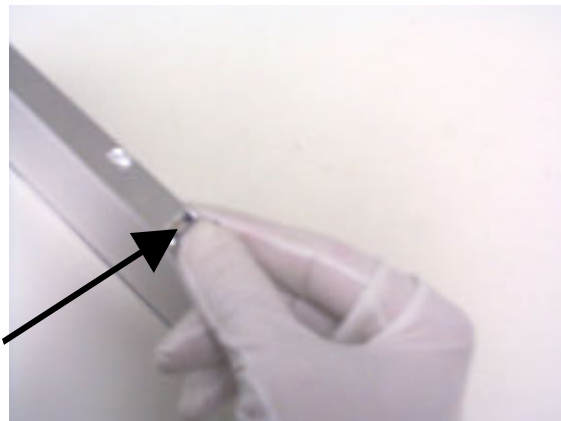
- 7) Prepare to insert the new Lamp Units.
- Open the package and take the new Lamp Units out.
  - Check the new Lamp Units for dust and foreign matters.
- 8) Stand the TFT-LCD module up and insert the new Lamp Unit.  
The light guide and reflector sheet should be inside of the Lamp Unit.  
Please be careful not to hurt your hands from the edge of the Lamp Unit.  
Please pay attention to insert direction.



Picture 6

- 9) Please insert Lamp Unit. After inserting the Lamp Unit, please check that the Lamp Unit is fastened with the latch of rubber holder.  
Please be careful not to tug at and bend the wire hard in handling.

Please check that the Lamp Unit is fastened with the latch of rubber holder.



Picture 7

- 10) Put the lamp cables in the trench of the plastic frame to keep inside of the module.



Picture 8

- 11) Insert the other Lamp Unit to the opposite(bottom) side of the LCD module in the same way.  
See. 8) to 10)
- 12) After replacing the Lamp Units, please check the following items.
- Appearance of TFT-LCD Module is not changed after replacing Lamp Units.  
(See. Picture 1 and Picture 2)
  - There is no damage, dust, or foreign matters on the LCD Panel Surface.
  - Install the TFT-LCD Module then check turning on the lamps.