

JOYSTICK MODELS



>>> C02C

A cost-effective 3-axis joystick based on C02A.

>>> Specifications

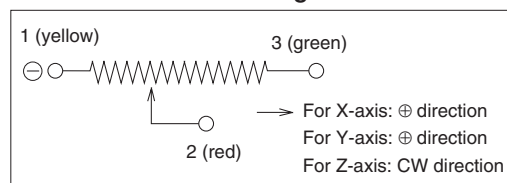
Mechanical performance

Operating force X and Y directions: ~1 – 2 N
 Operating force Z direction: ~ 30 – 70 mNm

Electrical performance

Sensor technology: Potentiometer
 Resistance value : 10 kΩ ±15%
 Power rating : 0.1 W (X/Y), 0.04 W (Z)
 Independent linearity tolerance : ±5%.

Terminal connection diagram: Potentiometer



>>> Tailored product examples

>>> Co-ordinate measuring machine



3-axis joystick with two push-buttons and potentiometer in the handle.

>>> CCTV



3-axis with incorporated push-button in the Z-axis handle.

>>> Industrial robot controller



Special low profile rubber boot and concave handle top.

Subject to change without prior notice. We refer to our general terms and conditions.

>>> Contact:	e-mail info@caldaro.com	Main +46 (0)8 736 1270
	internet www.caldaro.com	United Kingdom 0800 169 7950
		Germany +49 (0)6136 760 5600

CALDARO

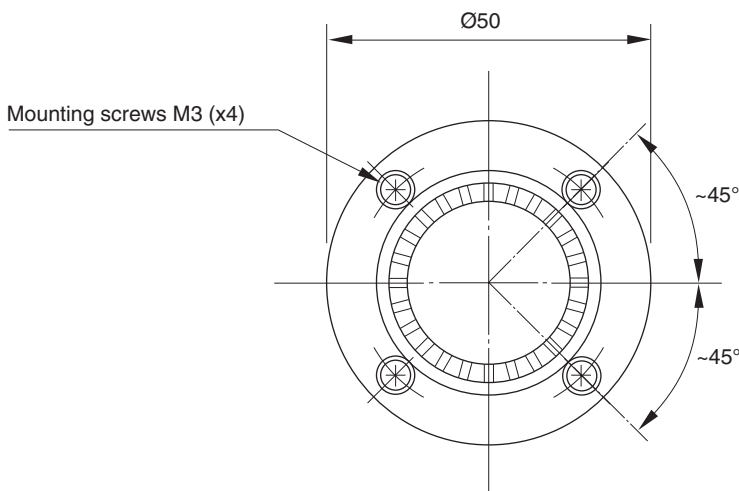
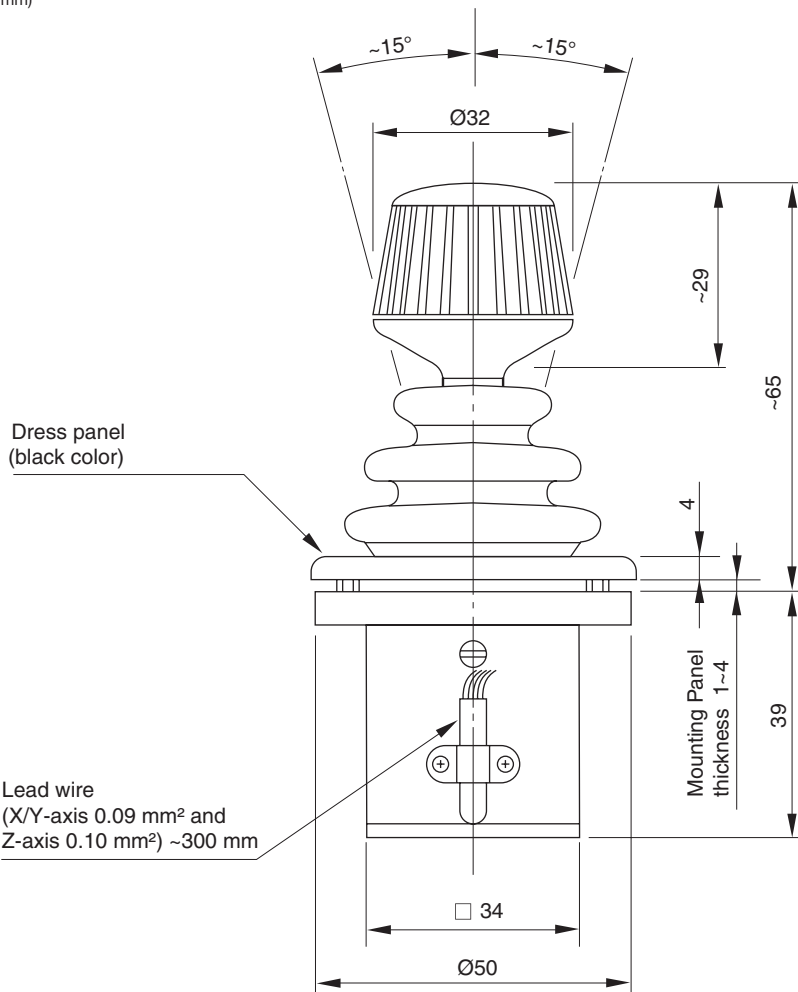
JOYSTICK MODELS



C02C

Standard dimensions C02C-03CAS-3SNRS

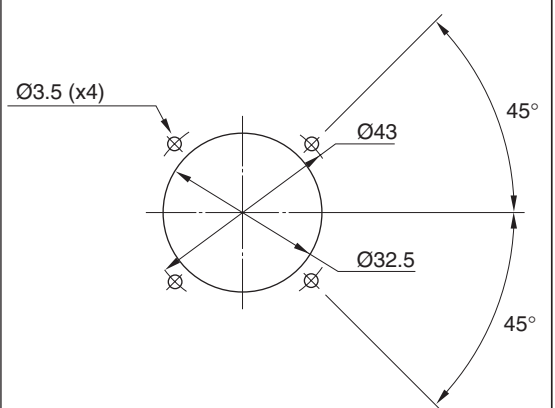
(unit: mm)



Note: Fastening torque of mounting screws must be below 400 mNm



Panel arrangement



Subject to change without prior notice. We refer to our general terms and conditions.

	Contact:	e-mail info@caldaro.com	Main +46 (0)8 736 1270
		internet www.caldaro.com	United Kingdom 0800 169 7950
			Germany +49 (0)6136 760 5600

CALDARO