



BM6015 ($\phi 60 \times 15^L$)



EMINEBEA.COM

General Specifications

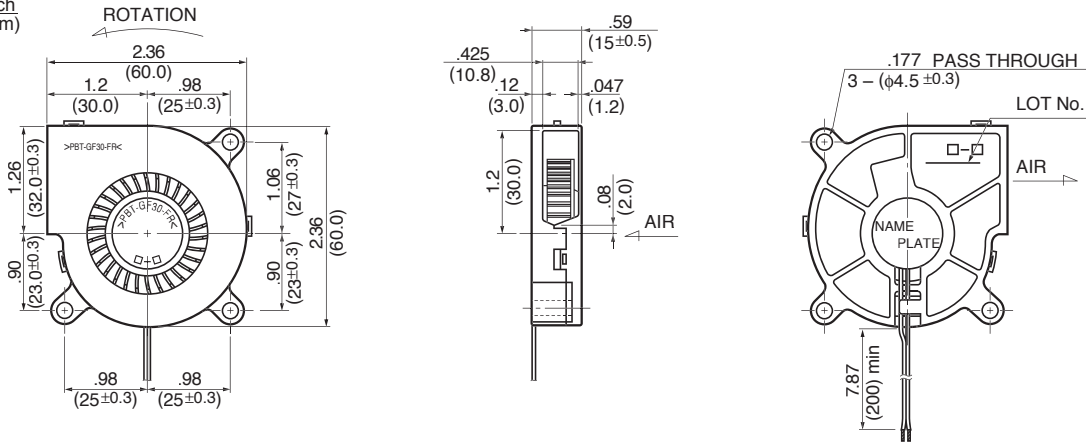
Allowable Ambient Temperature Range:
 -10°C ~ +70°C (Operating)
 -40°C ~ +70°C (Storage)
 (non-condensing environment)

Expected Life

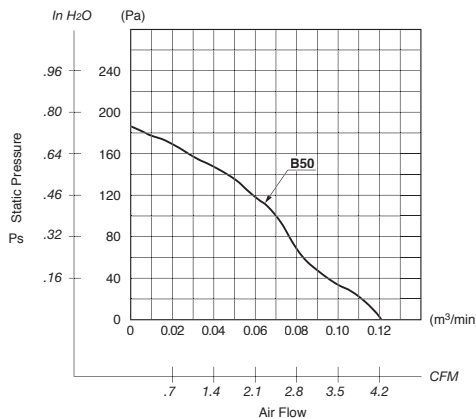
Failure Rate: 10%
 25°C 50,000 Hours (L00)
 25°C 40,000 Hours (T00)

Outline

Units: $\frac{\text{inch}}{\text{(mm)}}$



Characteristic Curves



Material

Casing : Plastic (Black) 94V-0
 Impeller : Plastic (Black) 94V-0
 Bearing : Ball Bearing
 Lead Wire : UL1007, AWG26, +Red, -Black

Specifications

MODEL	Product No.	Rated Voltage	Operating Voltage	Current	Input Power	Speed	Max. Air Flow		Max. Static Pressure		Noise	Mass
		(V)	(V)	(A)*1	(W)*1	(min ⁻¹)*1	CFM*1	(m ³ /min)*1	in H ₂ O	(Pa)*1	(dB)*1	(g)
BM6015-04W-B50-	L00	12	9 ~ 12.6	0.22	2.64	5600	4.2	0.12	.68	168.9	42.0	30

Rotation: Counterclockwise

*1: Average Values in Free Air



English
日本語

Product Catalog Engineering Info Company Links Contact Us

Fan Motors
Engineering
Information

DC Fans

- 1.Common Spec.
- 2.Numbering (Axial Fans)
- 3.Numbering (FB)
- 4.Numbering (Blowers BM)
- 5.Numbering (Blowers BG)
- 6.Numbering (FAL)
- 7.Sensors
- 8.Speed Control

AC Fans

- Technical Information
- Handling Precautions
- Quality & Environment

DC Blowers BM Series Part Numbering System

To show details, place the mouse cursor on each item of the part number. Click "Display All" button to show all details.

BM 51 15 - 04 W - B 3 0 - L 00 [Display All](#)
 (1) (2) (3) (4) (5) (6) (7) (8) (9) (10)

1. Series	2. Size	3. Thickness	4. Input Voltage	5. Termination
BM Series	45 45mm 51 51mm 60 60mm	15 15mm 25 25mm	01 5V 04 12V 05 24V 09 Custom Voltage	Lead Wires
6. Bearing	7. Speed	9. Classification	10. Individual Specification	
B Ball Bearing S Sleeve Bearing	1 < 2 < 3 < 4 < 5 low high	L Standard Model T Value Model	Standard Type 00 Standard 01-99 Custom	Sensor Type 00 Locked Rotor Alarm Signal (Standard Type) 01-49 Locked Rotor Alarm Signal (Custom Type) 50 Tachometer Signal (Standard Type) 51-99 Tachometer Signal (Custom Type)
8. Special Control Function				
0 Standard type 9 Sensor type 8 2-speed type	7 Temperature detecting variable speed type/sensor type 6 Temperature detecting variable speed type/sensor type 5 2-speed type/sensor type			