

# Palm grip B6



The palm grip B6 has different equipment options for many requirements. It is compatible with our multi-axis controller or mounted on hydraulic drives. The palm grip has a highly flexible cable (4 respectively 8 x 0,25 mm<sup>2</sup>, 450 mm long). The mounting piece can be supplied with a tapped hole M10 (standard) or M8.

## Technical data

Operating temperature	-40°C to +85°C
Degree of protection	IP54
Contact complement	1,5A 24 V DC13

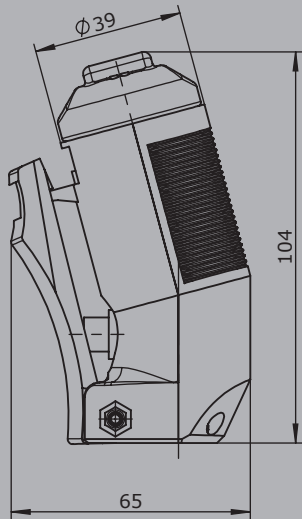


	B6	Example -2D	K	-X
<b>Basic unit</b>				
B6 Palm grip				
<b>Digital actuating element</b>				
D Push button top				
W Rocker switch top T-0-T				
W Rocker switch top R-0-T				
W Rocker switch top R-0-R				
K* Lever switch				
* Included with the delivery of palm grip B6!				
<b>Special model</b>				
X Special / customer specified				

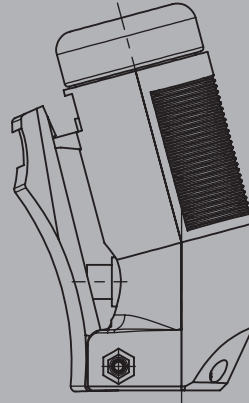


**B6**

Edition:  
Lever switch side  
Rocker switch installed top



Edition:  
Lever switch side  
Push button top



2