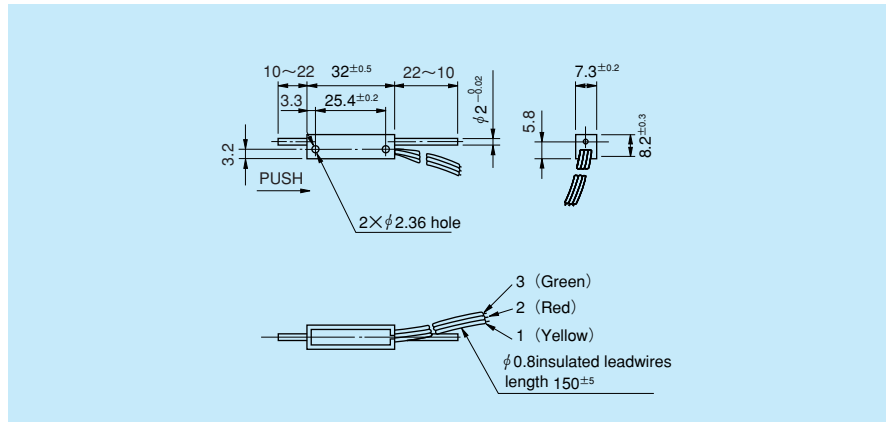


● Standard Dimensions



● General Specifications

Standard Resistance Values:	1k, 2k, 5k, 10k, 20k (Ω)
Max. Practical Resistance Value:	50k Ω
Total Resistance Tolerance:	Standard Class $\pm 15\%$ (L) Precision Class $\pm 10\%$ (K)
Independent Linearity Tolerance:	Standard Class $\pm 2.0\%$ Precision Class $\pm 1.0\%$
Resolution:	Essentially infinite
Output Smoothness:	Within 0.1% against input voltage
Contact Resistance Variation:	Within 2% C.R.V.

Power Rating:	0.2W
Electrical Stroke:	11 ± 0.5 mm
Mechanical Stroke:	About 12mm
Insulation Resistance:	Over 1,000M Ω at 500V.D.C.
Dielectric Strength:	1 minute at 500V.A.C.
Friction:	Within 0.3N (30gf)
Stopper Strength:	Approx. 10N (1kgf)
Resistance Temperature Coefficient:	± 400 p.p.m./ $^{\circ}$ C
Mass:	Approx. 5g

● Special Specifications Available

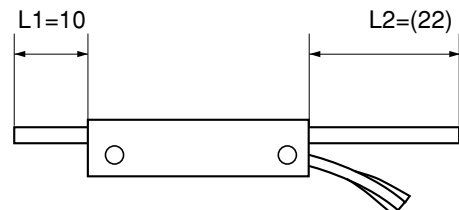
Spring return device incorporated (Friction is approx. 3N [300gf].), Special electrical stroke (8mm, 12mm), Special machining on the shaft.

● SPECIAL NOTE

When ordering special shaft length of our linear-motion potentiometers, especially models 30LP, 8FLP and 15FLP series as standard version with front and rear shaft extension, please be sure to specify the shaft length exactly when the shaft is completely pressed into the housing.

Example: In case of model 8FLP10A standard version

As you see from the above right drawing, please specify the exact length of L1 and L2 when the shaft is completely pressed into the housing.



The condition of spring returned

In case of models with spring return device, the condition of spring returned is as right drawing and please specify the exact length of L1 and L2 when the shaft is completely pressed into the housing.

