

General Specifications

Motor Protection: Auto Restart/Polarity Protection
 Insulation Resistance: 10M Ohm or over with a DC500V Megger
 Dielectric Withstand Voltage: AC 700V 1st
 Allowable Ambient Temperature Range:
 -10 degree C ~ +70 degree C (Operating)
 -40 degree C ~ +70 degree C (Storage)
 (non-condensing environment)

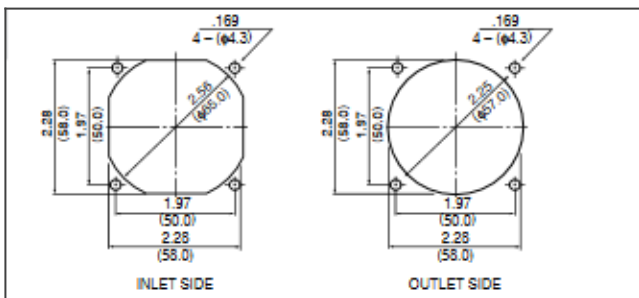
Material

Casing: Plastic (Black) UL94V-0
 Impeller: Plastic (Black) UL94V-0
 Lead Wire: UL1007, AWG24, +Red, -Black

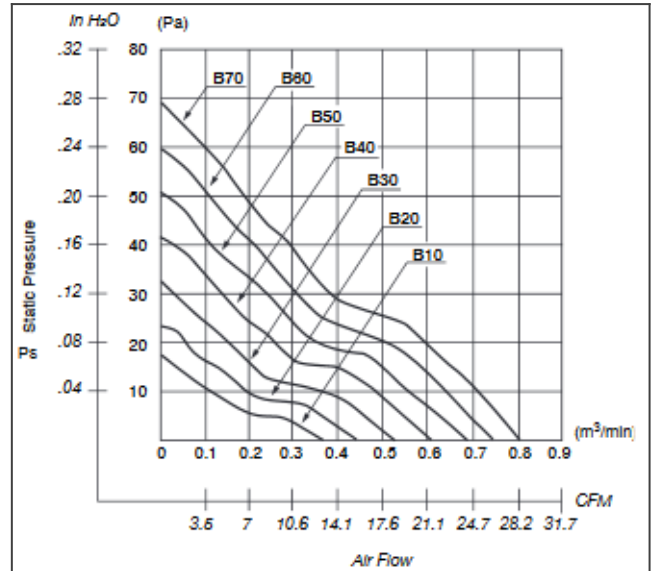
2410RL product picture



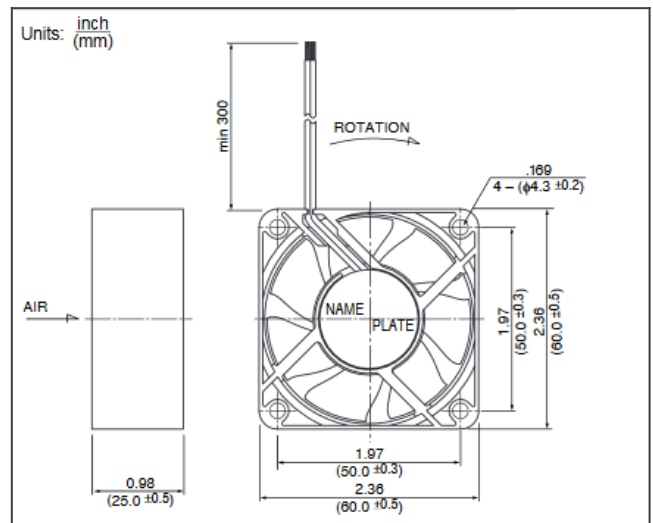
2410RL panel cut out



2410RL characteristic curve



2410RL product drawing



DC Fans

Detailed Specifications

DC Fan:	Ball Bearing Fan
Nominal Voltage:	12[V]
Operating Voltage Lower:	6[V]
Operating Voltage Upper:	13.8[V]
Current:	0.27[A]
Input Power:	3.24[W]
Speed:	5300[min^{-1}]
Max. Air Flow:	0.81[m^3/min]
Max. Air Flow:	28.5[CFM]
Max. Static Pressure:	69.1[Pa]
Max. Static Pressure:	0.27[In H ₂ O]
Noise:	38[dB]
Mass:	65[g]
Fan Size:	60[mm]
Fan Width:	25[mm]

DC Fans