

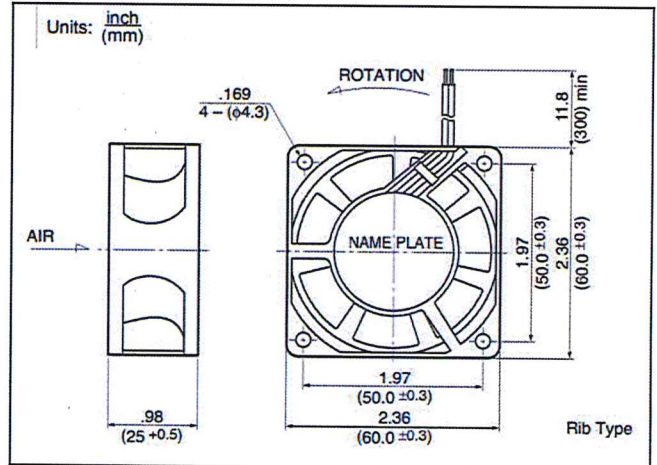
General Specifications

Motor Protection: Auto Restart/Polarity Protection
 Insulation Resistance: 10M Ohm or over with a DC500V Megger
 Dielectric Withstand Voltage: AC 700V 1st
 Allowable Ambient Temperature Range:
 B80: -10 degree C ~ +60 degree C (Operating)
 B70: -10 degree C ~ +70 degree C (Operating)
 B50 ~ B60: -10 degree C ~ +50 degree C (Operating)
 B10 ~ B20: -10 degree C ~ +70 degree C (Operating)
 All Class: -40 degree C ~ +70 degree C (Storage)
 (non-condensing environment)

Material

Casing: Plastic (Black) UL94V-0
 Impeller: Plastic (Black) UL94V-0
 Lead Wire: UL1007, AWG24, +Red, -Black

2410ML product drawing

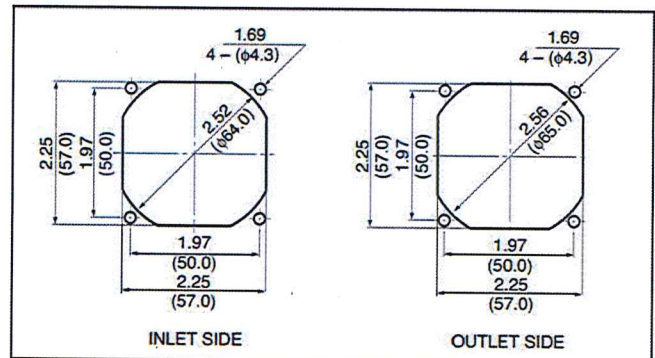


order part 2410ML-04W-B59-E50 Ball Bearing Fan DC Fans



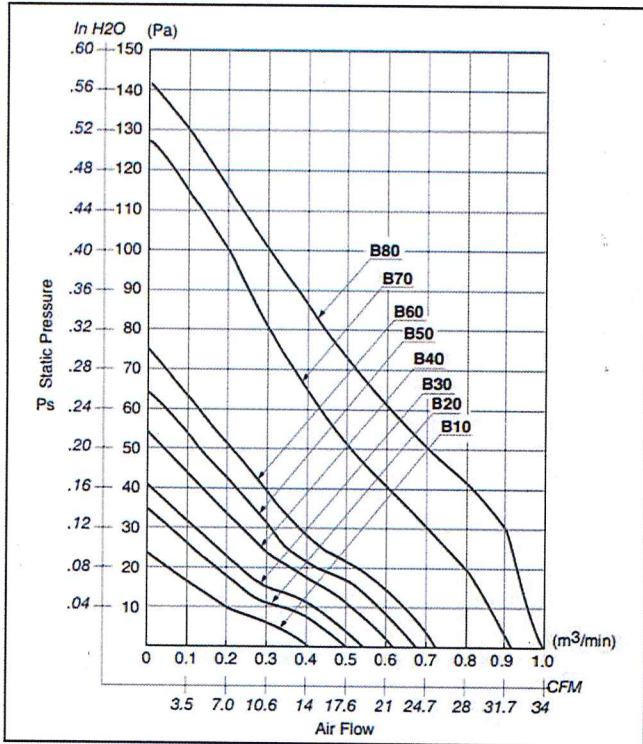
DC Fans

2410ML panel cut out



meditronik
 Elektronische i Komputerowe
 02-952 Warszawa, ul. Wiertnicza 129
 Tel. (22)351 72 42, Fax (22)651 72 46

2410ML characteristic curve



DC Fans

meditronik
 części elektroniczne i komputerowe
 02-952 Warszawa, ul. Wiertnicza 129
 Tel. (22)351 72 42, Fax (22)651 72 46

Detailed Specifications

Expected Life:	25 degree C 100,000 Hours (L10)
DC Fan:	Ball Bearing Fan
Nominal Voltage:	12[V]
Operating Voltage Lower:	6[V]
Operating Voltage Upper:	13.8[V]
Current:	0.2[A]
Input Power:	2.4[W]
Speed:	4900[min^{-1}]
Max. Air Flow:	0.61[m^3/min]
Max. Air Flow:	23.3[CFM]
Max. Static Pressure:	62.2[Pa]
Max. Static Pressure:	0.25[In H ₂ O]
Noise:	36.5[dB]
Mass:	65[g]
Fan Size:	60[mm]
Fan Width:	25[mm]
Life Expectancy L10:	25 degree C 100,000 Hours (L10)
Series:	2410ML

DC Fans

meditronik
części elektroniczne i komputerowe
02-952 Warszawa, ul. Wiertnicza 129
Tel. (22)351 72 42 Fax (22)651 72 46