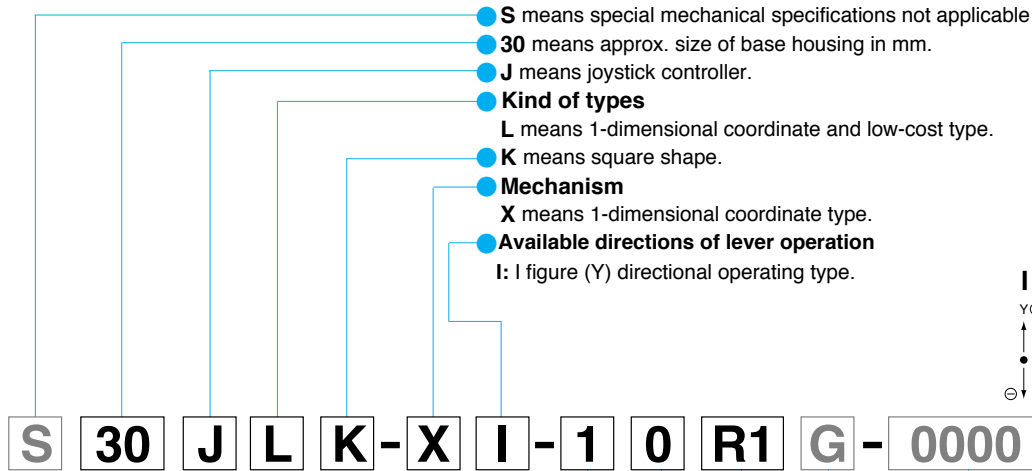


30JL

Potentiometer with a conductive plastic resistive element

Nomenclature



Number of potentiometers to be incorporated.

- 0...no potentiometer incorporated.
- 1...1 potentiometer incorporated.

Number of switches to be incorporated.

- 0...no switch incorporated.
- 1...1 switch incorporated.
- 2...2 switches incorporated.

With spring return device

R1 : with spring return device for 1-dimensional coordinate type.
 (standard option)

Mounting accessories.

- G** : means with dust proof rubber cover.
- R** : means with round shaped knob.
- H** : means with flat shaped knob.
- P** : means with sub-panel for mounting.

Special part number :

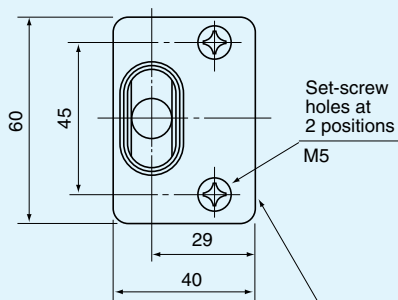
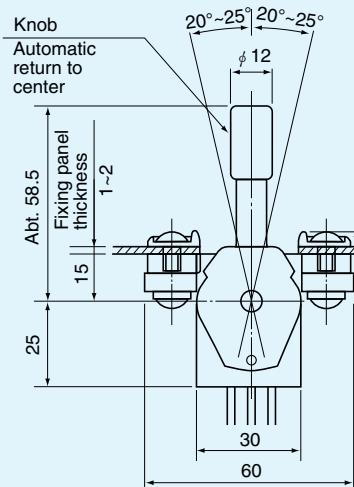
In case we produce customized products, we add 4-digit branch number.

Standard Dimensions

(Standard version: model 30JLK-XI-10R1)

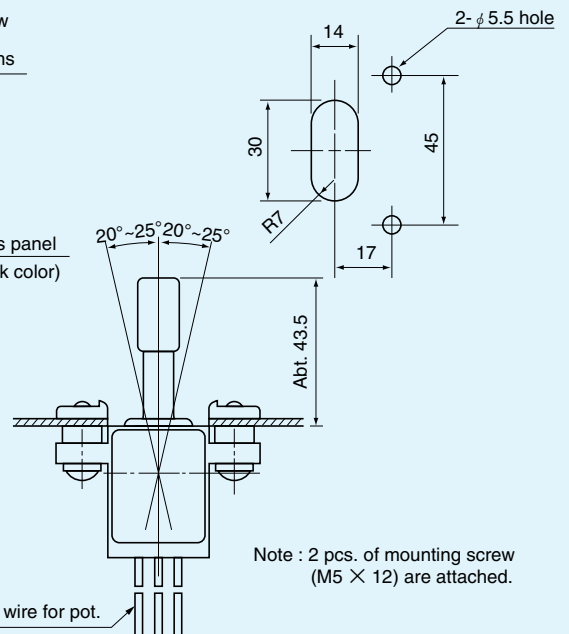
Direction of operation lever (type I)

Y ⊕ ← ● → ⊖



Dress panel (Black color)

Panel Arrangements



Note : 2 pcs. of mounting screw (M5 × 12) are attached.

Lead wire for pot.
 Abt. 300mm long (AWG20)

(Unit : mm)



30JLK-XI-10R1
(standard)



30JLK-XI-10R1RP
(with round shaped knob and sub-panel)



30JLK-XI-10R1HP
(with flat shaped knob and sub-panel)



30JLK-XI-10R1GRP
(with dust proof rubber cover, round shaped knob and sub-panel)

Note : Sub-panel (P), rubber cover (G), round shaped knob (R) and flat shaped knob shown on the above photos are optional parts.

STANDARD SPECIFICATIONS

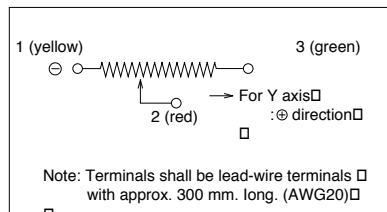
●Mechanical Performance

Controlling range of operating lever : $\pm 20^{\circ} \sim \pm 25^{\circ}$ from center position.
Operating force : Standard spring return device : Automatically return to center.
 Standard... Approx. 1N~2.5N (Approx. 100gf ~ 250gf).
 With rubber cover... Approx. 1N~5.5N (Approx. 100gf~550gf)
Operating temperature range : $-20^{\circ}\text{C} \sim +60^{\circ}\text{C}$
Vibration : 10~55Hz 98m/s²
Shock : 294m/s²
Life expectancy : Approx. 2,000,000 operations.
Mass : Approx. 100g

●Electrical Performance

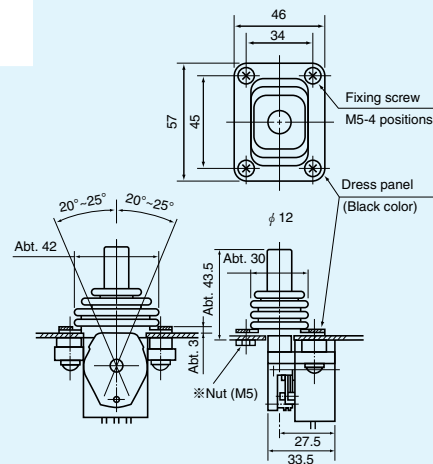
Potentiometer mounted : Special conductive plastic resistive element is exclusively used for 30JL series.
Total resistance value : $10\text{k}\Omega \pm 20\%$
Independent linearity tolerance : $\pm 5\%$
Electrical rotating angle : Approx. 40°
Rated power : 0.1W
Output smoothness : Below 0.2% against input voltage.
Contact resistance variation : Below 6% C.R.V.
Resolution : Essentially infinite
Dielectric strength : 1 minute at 500V.A.C.
Insulation resistance : Over 1,000M Ω at 500V.D.C.

●Terminal Connection Diagram



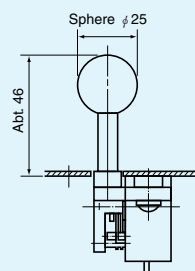
Dimensions of Optional Version

With dust-proof rubber cover

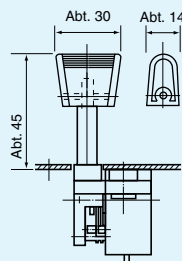


Note : 1) 4 pcs. of mounting screws (M5 X 12) are attached.
 2) 2 pcs. of the attached nut (M5) "※" use for mounting of the one side.

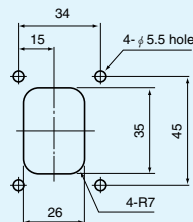
Round shaped knob



Flat shaped knob



■Panel Arrangements for dust-proof rubber cover type



(Unit : mm)

●Special Specifications Available

Please see page 45, a table of "Standard and Special Specifications Available".