

NP SERIES

**VALVE REGULATED LEAD-ACID BATTERIES
SHORTFORM BROCHURE**



RELIABILITY IS YOUR SECURITY

Yuasa NP, NPC and NPH Batteries
Utilising the latest advance design Oxygen

Recombination Technology, Yuasa have applied their 75 years experience in the lead acid battery field to produce the optimum design of Sealed Lead Acid batteries

Features

- Superb recovery from deep discharge
- Electrolyte suspension system
- Gas Recombination
- Multipurpose: Float or Cyclic use
- Usable in any orientation
- Superior energy density
- Lead calcium grids for extended life
- Manufactured World wide
- Application specific designs

TECHNICAL FEATURES

Sealed Construction

Yuasa's unique construction and sealing technique ensures no electrolyte leakage form case or terminals

Electrolyte Suspension System

All NP batteries utilize Yuasa's unique electrolyte suspension system incorporating a microfine glass mat to retain the maximum amount of electrolyte in the cells. The electrolyte is retained in the separator material by meniscus effect and there is no free electrolyte to escape from the cells. No gels or other contaminants are added.

Control of Gas Generation

The design of Yuasa's NP batteries incorporates the very latest oxygen recombination technology to effectively control the generation of gas during normal use.

Low Maintenance Operation

Due to the perfect sealed construction and the recombination of gasses within the cell, the battery is almost maintenance free.

Terminals

NP batteries are manufactured using a range of terminals which vary in size and type. Please refer to details as shown.

Operation in any Orientation

The combination of sealed construction and Yuasa's unique electrolyte suspension system allows operation in any orientation, with no loss of performance or fear of electrolyte leakage. (Excluding continuous use inverted)

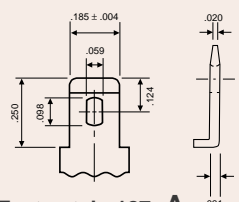
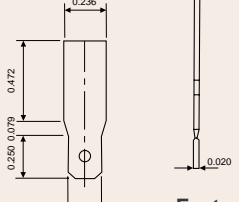
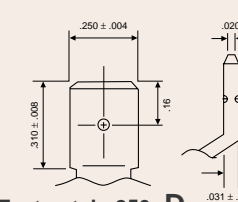
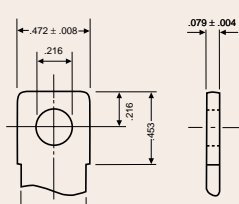
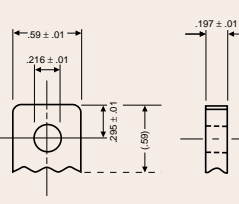
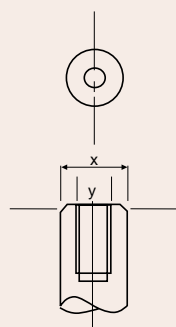
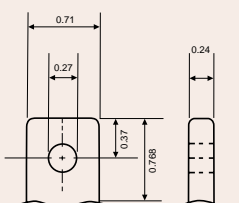
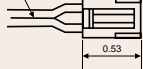
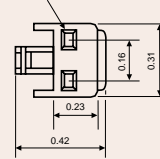
Valve Regulated Design

The batteries are equipped with a simple, safe low pressure venting system which releases excess gas and automatically reseals should there be a build up of gas within the battery due to severe overcharge. However, on no account should the battery be charged in a sealed container.

Lead Calcium Grids

The heavy duty lead calcium alloy grids provide an extra margin of performance and life in both cyclic and float applications and give unparalleled recovery from deep discharge.

Terminals

 <p>Faston tab: 187 A</p> <table border="1"> <thead> <tr> <th colspan="2">INCH = MM</th> </tr> </thead> <tbody> <tr><td>.250</td><td>6.35</td></tr> <tr><td>.185</td><td>4.70</td></tr> <tr><td>.124</td><td>3.15</td></tr> <tr><td>.098</td><td>2.50</td></tr> <tr><td>.059</td><td>1.50</td></tr> <tr><td>.031</td><td>0.80</td></tr> <tr><td>.020</td><td>0.50</td></tr> <tr><td>.004</td><td>0.10</td></tr> </tbody> </table>	INCH = MM		.250	6.35	.185	4.70	.124	3.15	.098	2.50	.059	1.50	.031	0.80	.020	0.50	.004	0.10	 <p>Faston tab: 187 B</p> <table border="1"> <thead> <tr> <th colspan="2">INCH = MM</th> </tr> </thead> <tbody> <tr><td>0.472</td><td>12.00</td></tr> <tr><td>0.250</td><td>6.35</td></tr> <tr><td>0.236</td><td>6.00</td></tr> <tr><td>0.185</td><td>4.70</td></tr> <tr><td>0.079</td><td>2.00</td></tr> <tr><td>0.020</td><td>0.50</td></tr> </tbody> </table>	INCH = MM		0.472	12.00	0.250	6.35	0.236	6.00	0.185	4.70	0.079	2.00	0.020	0.50	 <p>Faston tab: 250 D</p> <table border="1"> <thead> <tr> <th colspan="2">INCH = MM</th> </tr> </thead> <tbody> <tr><td>.310</td><td>7.90</td></tr> <tr><td>.250</td><td>6.35</td></tr> <tr><td>.16</td><td>4.0</td></tr> <tr><td>.031</td><td>0.8</td></tr> <tr><td>.020</td><td>0.5</td></tr> </tbody> </table>	INCH = MM		.310	7.90	.250	6.35	.16	4.0	.031	0.8	.020	0.5
INCH = MM																																														
.250	6.35																																													
.185	4.70																																													
.124	3.15																																													
.098	2.50																																													
.059	1.50																																													
.031	0.80																																													
.020	0.50																																													
.004	0.10																																													
INCH = MM																																														
0.472	12.00																																													
0.250	6.35																																													
0.236	6.00																																													
0.185	4.70																																													
0.079	2.00																																													
0.020	0.50																																													
INCH = MM																																														
.310	7.90																																													
.250	6.35																																													
.16	4.0																																													
.031	0.8																																													
.020	0.5																																													
 <p>Bolt fastened terminal E</p> <table border="1"> <thead> <tr> <th colspan="2">INCH = MM</th> </tr> </thead> <tbody> <tr><td>.472</td><td>12.00</td></tr> <tr><td>.453</td><td>11.50</td></tr> <tr><td>.433</td><td>11.00</td></tr> <tr><td>.216</td><td>5.50</td></tr> <tr><td>.079</td><td>2.00</td></tr> </tbody> </table>	INCH = MM		.472	12.00	.453	11.50	.433	11.00	.216	5.50	.079	2.00	 <p>Bolt fastened terminal F</p> <table border="1"> <thead> <tr> <th colspan="2">INCH = MM</th> </tr> </thead> <tbody> <tr><td>.59</td><td>15.0</td></tr> <tr><td>.216</td><td>5.5</td></tr> <tr><td>.295</td><td>7.5</td></tr> <tr><td>.197</td><td>5.0</td></tr> </tbody> </table>	INCH = MM		.59	15.0	.216	5.5	.295	7.5	.197	5.0																							
INCH = MM																																														
.472	12.00																																													
.453	11.50																																													
.433	11.00																																													
.216	5.50																																													
.079	2.00																																													
INCH = MM																																														
.59	15.0																																													
.216	5.5																																													
.295	7.5																																													
.197	5.0																																													
 <p>Bolt fastened terminal G</p> <table border="1"> <thead> <tr> <th colspan="2">INCH = MM</th> </tr> </thead> <tbody> <tr><td>0.24</td><td>6</td></tr> <tr><td>0.27</td><td>7</td></tr> <tr><td>0.37</td><td>9.5</td></tr> <tr><td>0.71</td><td>18</td></tr> <tr><td>0.768</td><td>19.5</td></tr> </tbody> </table>	INCH = MM		0.24	6	0.27	7	0.37	9.5	0.71	18	0.768	19.5	<p>JST No. VHR-2N I WIRE AWG #20 UL 1007</p>  <p>JST No. VHR-2N (TERMINAL) JST SVH-21T-P1.1</p> 	<table border="1"> <thead> <tr> <th>Terminal</th> <th>x</th> <th>y</th> </tr> </thead> <tbody> <tr> <td>J:</td> <td>17mm</td> <td>M5</td> </tr> <tr> <td>K:</td> <td>20mm</td> <td>M6</td> </tr> <tr> <td>L:</td> <td>10mm</td> <td>M5</td> </tr> </tbody> </table>	Terminal	x	y	J:	17mm	M5	K:	20mm	M6	L:	10mm	M5																				
INCH = MM																																														
0.24	6																																													
0.27	7																																													
0.37	9.5																																													
0.71	18																																													
0.768	19.5																																													
Terminal	x	y																																												
J:	17mm	M5																																												
K:	20mm	M6																																												
L:	10mm	M5																																												

Long Cycle Service Life

Depending upon the average depth of discharge, over a thousand discharge/charge cycles can be expected.

Float Service Life

The expected service life is five years in float standby applications.

Separators

The use of the special separator material provides a very efficient insulation between plates preventing inter-plate short circuits and prohibiting the shedding of active materials.

Long shelf Life

The extremely low shelf discharge rate allows the battery to be stored for extended periods up to one year at normal ambient temperatures with no permanent loss of capacity

Operating Temperature Range

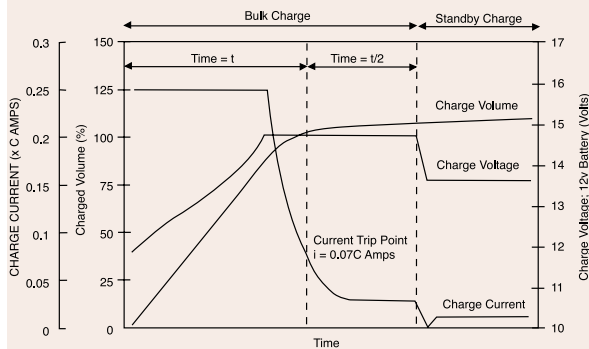
The batteries can be used over a broad temperature range permitting considerable flexibility in system design and location

Charge – 15C to 50C

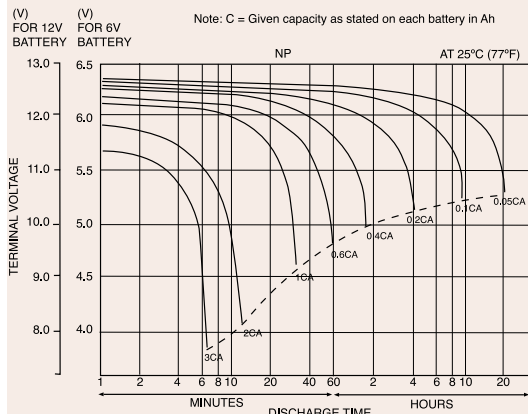
Discharge – 20C to 60C

Storage – 20C to 50C (fully charged battery)

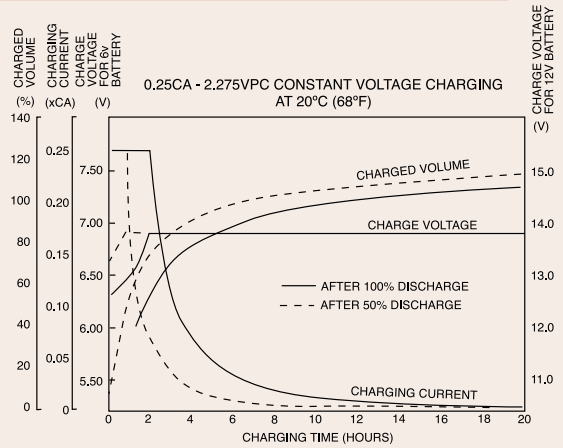
NP SERIES CYCLIC RECHARGE REGIME



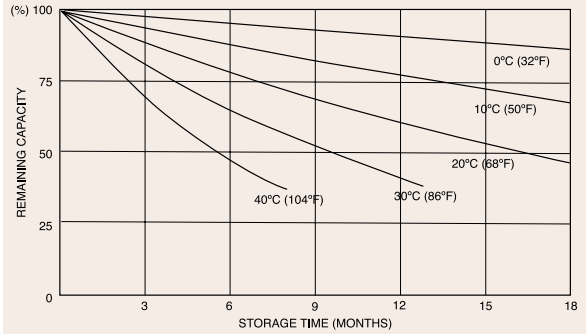
NP DISCHARGE CHARACTERISTICS CURVES AT 25°C (77°F)



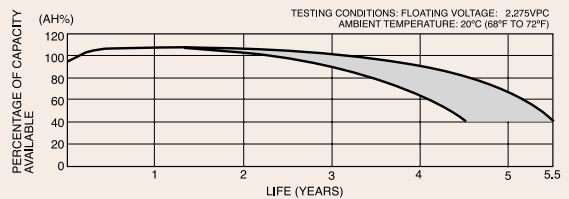
FLOAT CHARGE CHARACTERISTICS



SELF DISCHARGE CHARACTERISTICS



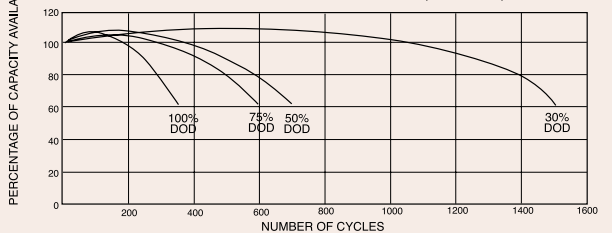
FLOAT SERVICE LIFE NP RANGE



TYPICAL DISCHARGE CHARACTERISTICS NPC RANGE

CYCLE SERVICE LIFE IN RELATION TO DEPTH OF CHARGE

TESTING CONDITIONS: DISCHARGE CURRENT: 0.17C Amp. (F.V 1.7V/CELL)
CHARGING CURRENT: 0.09C Amp.
CHARGING VOLUME: 125% OF DISCHARGED CAPACITY
AMBIENT TEMPERATURE: 20°C TO 25°C (68°F TO 77°F)



INTELLIGENT BATTERY CHARGERS

Manufactured to BS3456, IEC335, UL 1236, EN60335, CE mark to EN5008-1

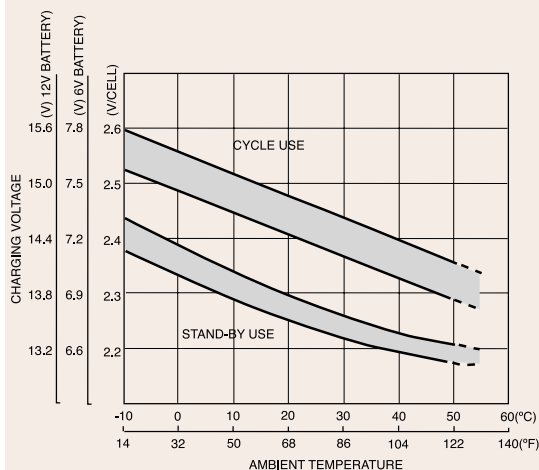
Features

Micro processor controlled
 Short circuit protection
 Reverse polarity protection
 High temperature protection
 Soft start current control
 Fast constant current bulk charge
 3 stage charging CI-CV-float
 Constant voltage float/standby
 Proportional timing
 Flexibility, to match battery specification.

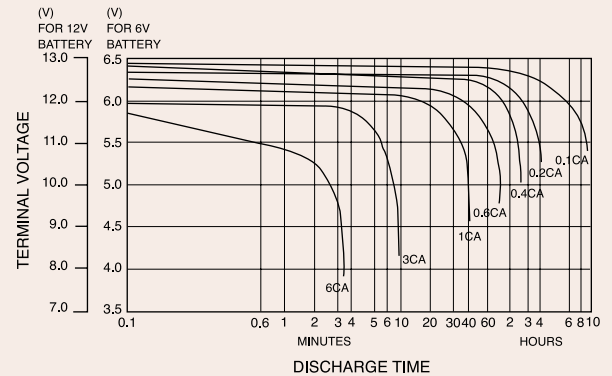
Standard Range

YCP03A12	300mA 12v
YCP03A24	300mA 24v
YCP03A6	300mA 6v
YCP06A12	600mA 12v
YCP06A6	600mA 6v
YCP1.5A12	1.5A 12v
YCP1.5A24	1.5A 24v
YCP1.5A6	1.5A 6v
YCP10A12S	10A 12v
YCP1A12	1A 12v
YCP1A6	1A 6v
YCP2A12	2A 12v
YCP2A24	2A 24v
YCP2A6	2A 6v
YCP3A12	3A 12v
YCP4A12	4A 12v
YCP6A12S	6A 12v
YCP8A12S	8A 12v
YCP8A24S	8A 24v

RELATIONSHIP BETWEEN CHARGING VOLTAGE AND TEMPERATURE



NPH DISCHARGE CHARACTERISTIC CURVES



Standard NP

Available in a wide range of sizes to suit general applications.

NPH/SW

High performance batteries specially designed for applications requiring high rate discharge, supplying up to 50% (NPH), 75% (SW) more power (Watts) for short durations when compared to conventional NP models.

NPC

Specifically designed to suit the arduous requirements of cyclic applications allowing increased cycle life (at least double that of conventional types).

NPL Long Life Model also to BS6290pt4
 Dedicated literature available on request. (NPL Shortform).

Applications

Yuasa NP batteries, having excellent deep discharge recovery characteristics coupled with long life on float standby, are ideal for numerous applications in both cyclic and standby modes. For advice on the use of NP batteries in your particular application please contact our Sales Office.

Charging

For Cyclic Applications see charging characteristic graph.

For Float Standby Applications

Charged at 2.275 volts per cell continuous. Battery will seek its own current level and float fully charged. However, users should be aware that when charging from fully discharged, the battery can draw an initial charge current of approximately 2cA. Care should therefore be taken to ensure that this initial charge current (if ungoverned) is within the output capability of the equipment. Final charge current at 2.275 volts per cell is typically between 0.0005cA to 0.004cA.

CAUTION

Do not Short Circuit
 Do not charge in a sealed container
 Service life and operational characteristics will be affected by temperature
 AC Ripple reduces service life.

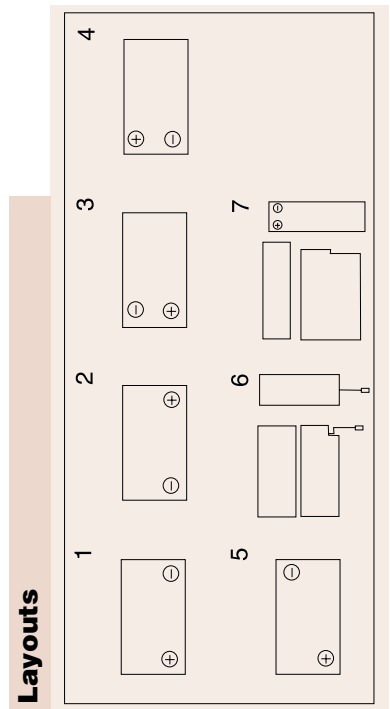
WARNING!

The battery type NP65-121 must never be installed permanently suspended by their handles; they are not designed for this purpose.

	NP1-6	NP1-2.6	NP2.8.6	NP4-6	NP7-6	NP10-6	NP12.6	NP0.8-12	NP1-2-12	NP2-12	NP2.1-12	NP2.3-12	NP2.8-12	NP3.2-12	NP4-12	NP7-12	NP12-12	NP17-12	NP18-12	NP24-12	NP38-12	NP65-12
Nominal Capacity (Ah)	1	1.2	2.8	4	7	10	12	0.8	1.2	2	2.1	2.3	2.8	3.2	4	7	12	17	18	24	38	65
20hr to 1.75vpc 30°C	0.93	1.1	2.5	3.7	6.5	9.2	11.1	0.74	1.1	1.86	1.9	2.1	2.5	2.9	3.7	6.4	11.1	15.7	16	22.3	35.3	60.5
10hr to 1.75vpc 20°C	0.85	1	2.3	3.4	6	8.5	10	0.68	1	1.7	1.75	1.9	2.3	2.7	3.4	5.9	10	14.4	14.5	20.4	32.3	55.3
5hr to 1.70vpc 20°C	0.6	0.7	1.6	2.4	4.2	6	7.2	0.48	0.7	1.2	1.2	1.3	1.6	1.9	2.4	4.2	7.2	10.2	10.3	14.4	22.8	39
1hr to 1.60vpc 20°C	6	6	6	6	6	6	6	12	12	12	12	12	12	12	12	12	12	12	12	12	12	12
Voltage	54	58	61	72	86.2	85	101	65	61	95	69	76	63	71	75	91	104	89	94	79	83	77
Energy Density (Wh.L.20hr)	24	25	29	28	28.5	30	35	27	25	34	31	29	30	32	27	32	36	33	38	32	32	34
Specific Energy (Wh.kg.20hr)	75	60	30	20	22.5	8	8	270	110	180	60	65	60	50	40	25	16	15	11	9.5	7.5	5
Int. Resistance (m.Ohms)	5	12	28	40	35	40/75	75	4	12	10	21	23	28	32	40/75	40/75	75	170	112	240	300	500
Maximum discharge (A)	15	36	84	1.20	105	300	360	12	36	30	63	69	84	96	120	210	360	500	500	500	500	800
Short Circuit current (A)																						
Dimensions (mm)																						
Length	51	97	134	70	151	151	151	96	97	150	178	178	134	134	90	151	151	181	180	166	197	350
Width	42.5	25	34	47	34	50	50	25	48	20	34	34	67	67	70	65	98	76	76	175	165	166
Height overall	54.5	54.5	64	105.5	97.5	97.5	97.5	61.5	54.5	89	64	64	64	64	106	97.5	97.5	167	167	125	170	174
Weight (Kg)	0.25	0.31	0.57	0.87	1.32	1.93	2.05	0.35	0.58	0.7	0.82	0.95	1.12	1.2	1.75	2.65	4.05	6.1	6.2	9	14.2	23
Terminal	A	A	A	A	A	A/D	D	1	A	B	A	A	A	A	A/D	A/D	D	E/L	E	E/L	J/F	K/G
Layout	5	1	1	5	1	1	1	6	3	7	1	1	3	3	1	4	4	2	2	2	2	2
Terminal Torque Nm	-	-	-	-	-	-	-	-	-	-	-	-	-	-	-	-	-	2.45	2.45	2.45	2.45	4.76

NPH2-12FR NPH3.2-12 NPH5-12 NPH12-12 NPH16-12 SW200 NPC8-6 NPC17-12 NPC24-12 NPC30-12 NPC38-12 NPC65-12

Nominal Capacity (Ah)	-	-	-	-	-	-	-	-	-	-	-	-	-	-	-	-	-	-	-	-	-	-
20hr to 1.75vpc 30°C	2	3.2	5	12	16	16	16	33mpc 10cm	7.4	15.7	22.3	28	35.3	60.5								
10hr to 1.75vpc 20°C	1.82	2.91	4.5	10.8	14.5	53wpc 5cm	6.8	14.4	20.4	25	32.3	55.3										
5hr to 1.70vpc 20°C	1.5	2.4	3.8	9	12	71wpc 3cm	4.8	10.2	14.4	17	22.8	39										
1hr to 1.60vpc 20°C	12	12	12	12	12	12	6	12	12	12	12	12										
Voltage	82.7*	69.2*	92.9*	95*	86.4*	47.8**	46	89	80.9	83	77											
Energy Density (Wh.L.20hr)	28.5*	27.3*	29.9*	32*	30.9*	16.8**	18	33	31.4	32	34											
Specific Energy (Wh.kg.20hr)	66	35	24	16	15	18	15	15	9.5	9	7.5	5										
Int. Resistance (m.Ohms)	14	22.4	35	84	112	45	40	170	240	300	500	500										
Maximum discharge (A)	40	64	100	240	320	150	300	500	500	500	500	800										
Short Circuit current (A)																						
Dimensions (mm)																						
Length	8	134	90	151	181	151	151	181	166	195	197	350										
Width	51	67	70	98	76	51	50	76	175	129	165	166										
Height overall	88	64	106	97.5	167	97.5	97.5	167	125	179	170	174										
Weight (Kg)	0.84	1.4	2	4.2	6.2	2.14	1.8	6.1	9	11.2	14.2	23										
Terminal	A	A	D	D	E	A+D	A	E	E	F	F	G										
Layout	2	3	1	4	2	1	1	2	2	1	2	2										
Terminal Torque Nm	-	-	-	-	2.45	-	-	2.45	2.45	2.45	2.45	4.76										



Yuasa in Europe

In line with Yuasa's policy of development its worldwide manufacturing base, a plan was laid down in 1981 to supply the European market for NP batteries from a factory within the EEC.

In April 1981 as a preliminary move in establishing its European operation the Yuasa sales company was established in Swindon and direct marketing of the NP battery into the UK market began.

Based on the early success of the sales company Yuasa Japan quickly decided to locate a manufacturing plant in the UK

In co-operation with the UK Government, Wales was chosen as the most suitable area and in October 1981 the manufacturing company was set up with a 50,000 square foot factory.

To keep pace with the global increase in demand for Yuasa battery products, the Corporate policy has been to increase manufacturing facilities World wide, here in Europe that has resulted in six expansions of the UK facility to its present size of almost 300,000 square feet, manufacturing 60 international model types.

The UK factory has been granted the Queens Award for export on two separate occasions, with other major achievements including the registration to ISO 9002 since 1990 and recently ISO 14001 in 2000 (both by BSI)

Yuasa Battery UK Ltd is a major contributor to the Yuasa policy to provide World Class products from a World Wide Company.



Yuasa Battery Sales (UK) Ltd

Hawksworth
Industrial Estate, Swindon,
Wiltshire SN2 1EG
Tel: 01793-645700
Fax: 01793-645701
Website: www.yuasa-battery.co.uk

Yuasa Battery (Europe) GmbH

Wanheimer Str. 47
D-40472 Düsseldorf Germany
Tel: 49 211 417900
Fax: 49 211 4179011
Website: www.yuasa-battery.net

NP Baureihe – Series

Ventilgesteuerte Bleiakumulatoren

Valve Regulated Lead-Acid Batteries



YUASA BATTERY (EUROPE) GmbH

YUASA



Ventilgesteuerte Bleisäureakkumulatoren der Baureihe **NP**

Valve Regulated Lead-Acid Batteries NP

Yuasa als der in Europa marktbeherrschende Hersteller von wartungsfreien stationären Industriebatterien hat die Baureihe NP, deren Produktion im letzten Jahrzehnt bei über 40 Millionen Einheiten lag, technisch in betriebs- und zuverlässigkeitsbestimmenden Eigenschaften permanent verbessert, so daß der Anwender ein absolut ausgereiftes und kommerziell breit eingeführtes Produkt erwirbt, das in einer Vielzahl von Anwendungen seine Zuverlässigkeit bewiesen hat.

Yuasa as leading manufacturer of valve regulated lead-acid batteries has been improving all properties determining reliability and operational performance. The effect is that the end-user acquires a fully mature and commercially accepted product, which has proved its reliability in many various applications.

Allgemeine Produktmerkmale – General Features

- Lebensdauer: 3-5 Jahre nach Eurobat
Design life: 3-5 years according to Eurobat
- NP-Batterien können dauerhaft in Seitenlage betrieben werden
NP batteries can permanently be operated in any orientation excluding continuous use inverted.
- Schlag- und bruchfestes Kunststoffgehäuse aus ABS
Mechanically strong ABS - container
- FR-Gehäusematerial auf Wunsch schwer entflammbar gemäß UL 94 VO, entsprechend EN 60707
Container material for FR batteries on special request is extremely flame-retardant according to UL 94 VO, equivalent to EN 60707
- Fertigung der NP Batterien gemäß EN ISO 9001:2000 Qualitätsmanagementsystem und EN ISO 14001:2000 Umweltmanagementsystem
Manufacture of NP batteries according to EN ISO 9001:2000 Quality Management Systems and EN ISO 14001:2000 Environment Management Systems
- Verlängerung der Gebrauchsdauer aufgrund einer speziellen Legierung der positiven Platte
Extension of service life by means of a special alloy
- VdS/UL Zulassungen
Certified by VdS and Underwriters Laboratories
- Temperaturbereiche: Aufladung: -15° C bis +50° C
Entladung: -15° C bis +60° C
Lagerung: -20° C bis +50° C
*Temperature ranges: Charging: -15° C up to +50° C
Discharging: -15° C up to +60° C
Storage: -20° C up to +50° C*

Besondere Produktmerkmale – Particular Features

- Ventilgesteuerte Konstruktion, nahezu 100%ige Sauerstoffrekombination bei jedem Aufladevorgang
Valve regulated design with nearly 100% gas recombination during float charging
- Elektrolyt in Glasfaservlies gebunden (AGM=Absorbing GlassMatt Technology)
AGM = Absorbing GlassMatt technology in which the electrolyte is fully absorbed
- Kein Auffüllen des Elektrolyts notwendig
No topping up of electrolyte necessary
- Korrosionsbeständige Hochleistungsgitterplatten mit Blei-Kalzium Legierung
High current drain grid being resistant to corrosion by virtue of a lead-calcium alloy

- Weiter Betriebstemperaturbereich bei entsprechender temperaturabhängiger Spannungskompensation
Wide range of operating temperatures with temperature compensated charging
- Sehr gute Ladeeffizienz
Very good charging efficiency
- Kein Gefahrgut gemäß IATA
Classified as "non-spillable" and therefore exempt from IATA Dangerous Goods Regulations
- Konformität zu EN 61056
Conforming to EN 61056
- Hohe Lebensdauer bei geringer Selbstentladung, 3% pro Monat bei 20° C
Extended shelf life at low self-discharge level approximately 3% per month at 20° C

Allgemeine Spezifikation der Baureihe NP – NP Series General Specifications

Batterie- Type	FR Option	Nenn- spannung [V]	Kapazität 20 h. 1,75V	Kapazität 10 h. 1,75V	Abmessungen/ Dimensions [mm]			Gewicht [kg]	Layout	Pol-Typ	Innenwider- stand mΩ	Maximaler Entladestrom [A]	Kurzschlussstrom Ik [A] gem IEC 896-2
					Länge/ Length	Breite/ Width	Höhe/ Height						
NP1-6	x	6	1	0,9	51	42,5	54,5	0,25	5	A	179	7	36
NP1.2-6		6	1,2	1,1	97	25	54,5	0,31	1	A	147	8,4	44
NP3-6		6	3	2,8	134	34	64	0,57	1	A	59	21	109
NP4-6		6	4	3,7	70	47	105,5	0,85	5	A	44	28	145
NP7-6	x	6	7	6,5	151	34	97,5	1,35	1	A	25	49	254
NP10-6*	x	6	10	9,3	151	50	97,5	1,93	1	A	18	70	363
NP12-6*		6	12	11,2	151	50	97,5	2,05	1	D	15	75	435
NP0.8-12	x	12	0,8	0,7	96	25	61,5	0,35	7	E	445	5,6	29
NP1.2-12*	x	12	1,2	1,1	97	48	54,5	0,57	3	A	293	8,4	44
NP2-12	x	12	2	1,8	150	20	89	0,70	8	B	161	14	80
NP2.3-12*		12	2,3	2,1	178	34	64	0,94	1	A	155	16,1	83
NP3.2-12	x	12	3,2	3,0	134	67	64	1,17	3	A	111	22,4	116
NP4-12	x	12	4	3,7	90	70	106	1,70	1	A	89	28	145
NP7-12*	x	12	7	6,5	151	65	97,5	2,65	4	A	51	49	254
NP7-12L	x	12	7	6,5	151	65	97,5	2,65	4	D	51	49	254
NP12-12*	x	12	12	11,2	151	98	97,5	4,09	4	D	30	84	435
NP17-12*	x	12	17	14,0	181	76	167	5,97	2	C	20	119	631
NP24-12*	x	12	24	22,3	166	175	125	8,92	2	C	15	168	871
NP38-12*	x	12	38	35,4	197	165	170	13,93	2	C	9	266	1.379
NP65-12*	x	12	65	60,5	350	166	174	22,82	2	C	5	455	2.395

* mit VdS-Zulassung
* with VdS-approval

FR = schwer entflammbarer Container
FR = flame retardant container

Anwendungsbereiche

- Unterbrechungsfreie Stromversorgung (USV)
- Telekommunikation
- Feueralarm- und Sicherheitssysteme
- Medizinische Geräte
- Photovoltaische Anwendungen
- Steuer- und Regelungssysteme
- Elektronische Testgeräte
- Geophysikalische Geräte
- Marine Ausrüstungen – Bahn

Main Fields of Application

- *Uninterruptible Power Supply (UPS)*
- *Telecommunication*
- *Fire alarm and security systems*
- *Medical appliance*
- *Solar applications*
- *Electronic test equipment*
- *Electronic measuring devices*
- *Geophysical devices*
- *Marine equipment – Railway*

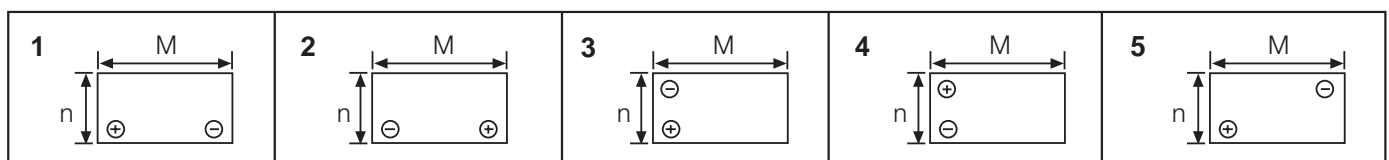
Empfohlene Entladeschlußspannung Recommended Cut-off Voltage

Entladestrom <i>Discharge Current</i>	Entladeschlußspannung pro Zelle (V/Zelle) <i>Cut-off Voltage/cell</i>
≤ 0,10 CA	1,75 V/Zelle <i>V/cell</i>
0,17CA	1,70 V/Zelle <i>V/cell</i>
0,26 CA	1,67 V/Zelle <i>V/cell</i>
0,60 CA	1,60 V/Zelle <i>V/cell</i>
3 CA	1,50 V/Zelle <i>V/cell</i> Entladetiefe beeinträchtigt die Lebensdauer <i>Depth of discharge detrimental to service life</i>

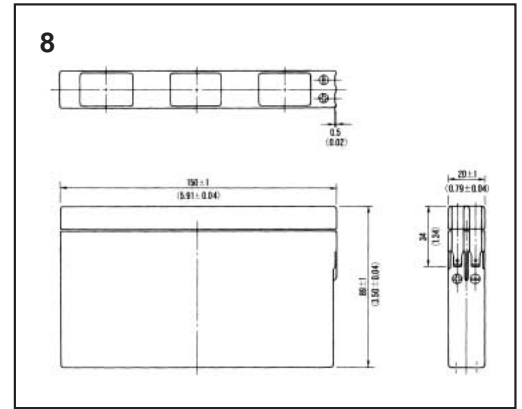
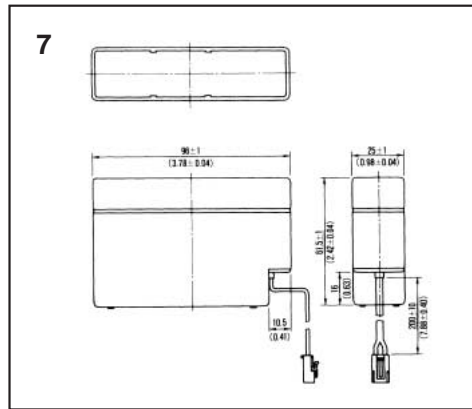
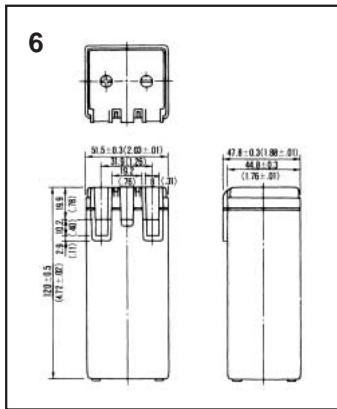
Top-Charging-Empfehlungen Top-Charging-Recommendation

Batteriealter Lagerzeit <i>Battery Age Storagetime</i>	Top-Charging Empfehlung <i>Top-Charging Recommendation</i>
bis 6 Monate nach Herstellung <i>up to 6 months after date of manufacture</i>	4 – 6 Std. mit 0,1 C Konstantstrom oder 15 bis 20 Stunden mit Konstantspannung 2,4V/Zelle <i>4 – 6 hours at 0,1 C constant current or 15 – 20 hours at constant voltage 2,4V/cell</i> länger als 72 Std. mit Konstantspannung 2,275 V/Zelle <i>more than 72 hours at constant voltage 2,275 V/cell</i>
bis 12 Monate nach Herstellung <i>up to 12 months after date of manufacture</i>	8 – 10 Std. mit 0,1C Konstantstrom oder 20 – 24 Stunden mit Konstantspannung 2,4 V/Zelle <i>8 – 10 hours at 0,1 C constant current or 20 to 24 hours at constant voltage 2,4V/cell</i> 48 – 144 Std. mit Konstantspannung 2,35 V/Zelle <i>48 – 144 hours at constant voltage 2,35 V/cell</i>

Position der Batteriepole – Terminal Location



Abmessungen – Dimensions



Poltypen – Terminals

A

B

C Polabstände – Terminal Design

NP	Gewinde/Thread	C	D
17 – 12 I	M5	12	43
24 – 12 I	M5	12	40
38 – 12 I	M5	22	19
65 – 12 I	M6	23	30

	x	y	z	Nm
	17 mm	M5 x 10	2-3	
	20 mm	M6 x 16	4-5.5	

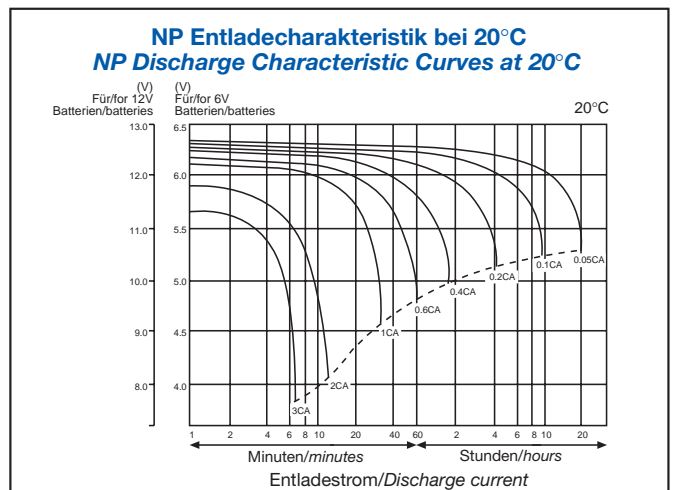
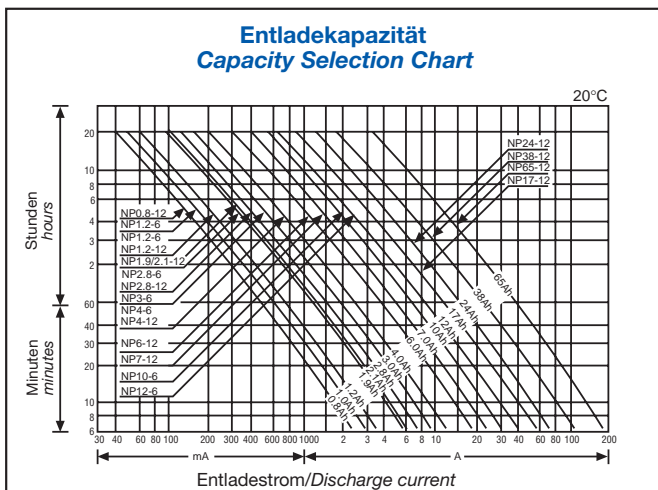
D

E

Kabel: AWG # 20 UL 1007

JST SVH-21T-P1.1

Spezifikationen – Specifications

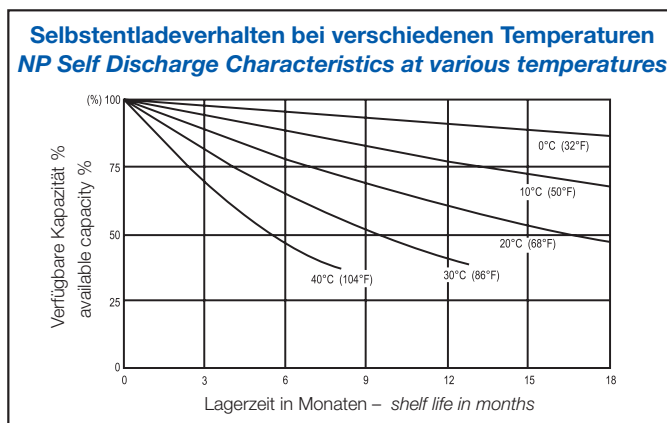
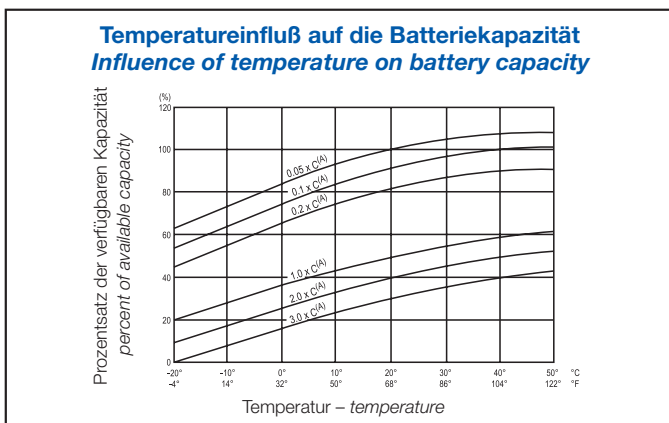


Entladestrom (Ampère) bei vorgegebener Entladerate
Discharge current (Amperes) at stipulated discharge rates

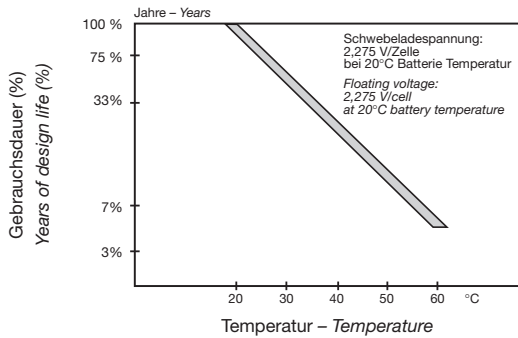
20 Std./hrs. Kapazität capacity	0,05C	0,1C	0,2C	0,4C	0,6C	1C	2C	3C
0,8 Ah	0,04 A	0,08	0,16	0,32	0,48	0,8	1,6	2,4
1	0,05	0,10	0,20	0,40	0,60	1	2	3
1,2	0,06	0,12	0,24	0,48	0,72	1,2	2,4	3,6
2	0,10	0,20	0,40	0,80	1,20	2	4	6
2,1	0,105	0,21	0,42	0,84	1,26	2,1	4,2	6,3
2,3	0,115	0,23	0,46	0,92	1,38	2,3	4,6	6,9
2,8	0,14	0,28	0,56	1,12	1,68	2,8	5,6	8,4
3	0,15	0,30	0,60	1,20	1,80	3	6	9
4	0,20	0,40	0,80	1,60	2,40	4	8	12
7	0,35	0,70	1,40	2,80	4,20	7	14	21
10	0,50	1,0	2,0	4,0	6,0	10	20	30
12	0,60	1,20	2,40	4,80	7,20	12	24	36
17	0,85	1,70	3,40	6,80	10	17	34	51
24	1,20	2,40	4,80	9,60	14	24	48	72
38	1,90	3,80	7,60	15	22	38	76	114
65	3,25	6,50	13	26	39	65	130	195

Konstant-Wattentnahme bei vorgegebener Entladeschlußspannung: Watt/Ah/Zelle bei 20° C
Power drain over time at stipulated cut-off voltages: Watt/Ah/Cell at 20° C

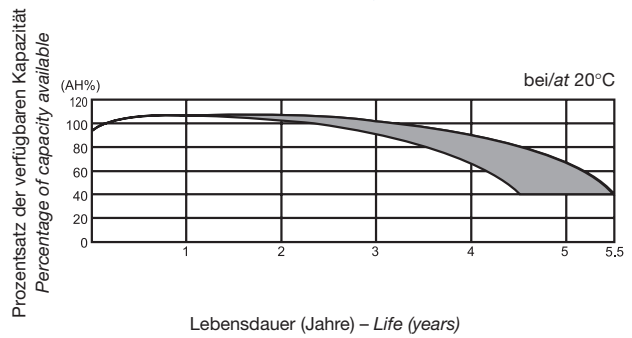
Entladezeit/ Discharge time	5 M	10 M	15 M	20 M	25 M	30 M	35 M	40 M	45 M	60 M	2 Std. 2 hrs.	3 Std. 3 hrs.	5 Std. 5 hrs.
V/Zelle V/cell													
1,6	5,421	3,884	3,074	2,554	2,211	1,943	1,767	1,621	1,490	1,201	0,721	0,524	0,346
1,63	5,303	3,864	3,016	2,533	2,191	1,938	1,747	1,611	1,471	1,198	0,716	0,521	0,343
1,65	5,268	3,806	2,984	2,513	2,178	1,914	1,743	1,602	1,458	1,194	0,713	0,518	0,341
1,67	5,173	3,740	2,952	2,503	2,159	1,895	1,728	1,589	1,445	1,186	0,708	0,515	0,339
1,69	5,056	3,712	2,922	2,477	2,128	1,881	1,705	1,580	1,432	1,174	0,704	0,513	0,337
1,7	4,945	3,632	2,907	2,467	2,116	1,872	1,702	1,567	1,422	1,171	0,700	0,511	0,335
1,75	4,692	3,551	2,822	2,372	2,048	1,819	1,648	1,517	1,373	1,151	0,682	0,496	0,326
1,8	4,493	3,389	2,559	2,272	1,964	1,754	1,579	1,444	1,318	1,086	0,658	0,478	0,314
1,85	4,130	3,163	2,526	2,144	1,857	1,655	1,482	1,350	1,240	1,023	0,622	0,459	0,300



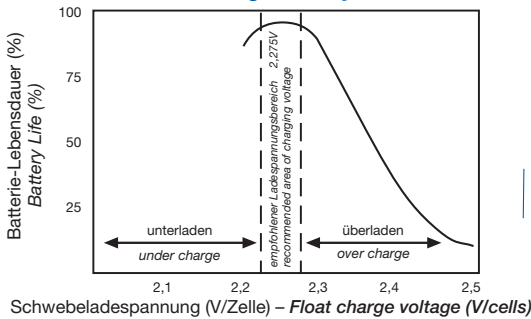
Temperatur/Gebrauchsdauercharakteristik der NP Batterien
Temperature/Life Characteristics of NP Batteries



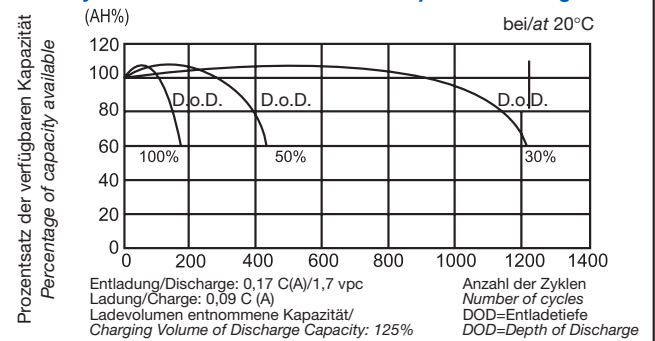
Gebrauchsdauer im Schwefeladebetrieb (2,275 V/Zelle)
Service Life - Float Charge (2,275 V/cell)



Gebrauchsdauer in Abhängigkeit der Schwefeladesspannungsvariabilität
Float Charge/Battery Life



Anzahl der Zyklen im Verhältnis zur Entladetiefe
Cyclic Service Life in Relation to Depth of Discharge



YUASA NP Serie, geprüfte Qualität

EN ISO 9001:2000 Batterien aus unserer europäischen Produktion werden nach Qualitätsstandard EN ISO 9001:2000 hergestellt

VdS-Zulassung NP Akkumulatoren sind VdS geprüft

IEC 61056/ IEC 60896-2 Internationaler Standard für ventilgesteuerte Bleiakkumulatoren

DIN-Normen Wie DIN-43534; Akkumulatoren mit Gitterplatten und festgelegtem Elektrolyt
 DIN-Kurzzeichen: GiV

UL-Anerkennung Die Baureihe NP ist im UL-Sicherheitsstandard unter MH 12970 und MH 28018 registriert

IATA Yuasa NP Batterien sind kein Gefahrgut gemäß IATA. Sie sind als auslaufsicher klassifiziert.

YUASA NP Series Standardized Quality

EN ISO 9001:2000 Batteries from our European factory are manufactured in accordance with EN ISO 9001:2000

VdS Approval NP batteries are approved by VdS

IEC 61056/ IEC 60896-2 In accordance with International Standard for valve regulated lead-acid batteries

DIN Standards Like DIN-43534, accumulators with grid plates and electrolyte absorbing glass-matt

UL-Approval Yuasa NP-series batteries are approved and listed in UL Directory with file no. MH 12970 and MH 28018.

IATA Yuasa NP series batteries are exempt from IATA Dangerous Goods Regulations. They are classified as non-spillable.

Konstant-Leistungs-/Strom-Entladedaten – Constant Power / Current Drain Discharge Data

NP Konstantleistungsentnahme (Watt/Zelle) bei 1,60 V/Zelle Entladeschlußspannung bei 20°C
NP Constant Power Discharge (Watt/cell) to 1.60 V/cell cut-off voltage at 20°C

Typ – Type	Autonomie in Minuten <i>Autonomy in minutes</i>									Autonomie in Stunden <i>Autonomy in hours</i>						
	5	10	15	20	25	30	35	40	45	1	2	3	5	8	10	20
NP 1-6	5,4	3,9	3,0	2,5	2,2	1,9	1,7	1,6	1,5	1,2	0,7	0,5	0,35	0,29	0,21	0,1
NP 1.2-6 / NP 1.2-12	6,5	4,7	3,6	3,0	2,6	2,3	2,1	1,9	1,8	1,4	0,9	0,6	0,4	0,3	0,25	0,12
NP 3-6	16,3	11,7	9,22	7,66	6,63	5,83	5,3	4,86	4,47	3,5	2,15	1,57	1,04	0,87	0,63	0,3
NP 4-6 / NP 4-12	21,7	15,5	12,3	10,2	8,8	7,8	7,1	6,5	5,9	4,8	2,9	2,1	1,4	0,96	0,75	0,4
NP 7-6 / NP 7-12	37,9	27,2	21,5	17,9	15,5	13,6	12,4	11,3	10,4	8,4	5,0	3,7	2,4	1,56	1,27	0,71
NP 10-6	54,2	38,9	30,7	25,5	22,1	19,4	17,7	16,2	14,9	12	7,2	5,2	3,4	2,5	1,85	1,2
NP 12-6 / NP 12-12	65,1	46,6	36,9	30,6	26,5	23,3	21,5	19,4	17,8	14,4	8,6	6,3	4,1	2,7	2,25	1,34
NP 0.8-12	4,3	3,1	2,4	2	1,8	1,5	1,4	1,3	1,2	1,0	0,6	0,4	0,3	0,18	0,15	0,08
NP 2-12	10,8	7,7	6,1	5,1	4,5	3,9	3,5	3,3	2,9	2,4	1,5	1,2	0,63	0,48	0,37	0,2
NP 2.3-12	12,5	9,0	7,0	5,8	5,3	4,5	3,9	3,7	3,4	2,7	1,6	1,3	0,7	0,5	0,4	0,2
NP 3.2-12	17,4	12,4	9,8	8,1	7,0	6,3	5,7	5,2	4,8	3,8	2,3	1,7	1,1	0,78	0,58	0,33
NP 17-12I	92,1	66,1	52,2	43,4	37,6	33,0	30,0	27,5	25,4	20,4	12,2	8,8	5,9	4,1	3,1	1,74
NP 24-12I	130	93,2	73,8	61,3	53,1	46,6	42,4	38,9	35,8	28,8	17,3	12,6	8,3	5,76	4,53	2,5
NP 38-12I	206	148	117	97,1	84,1	73,8	67,1	61,6	56,6	45,6	27,4	19,9	13,1	9,22	7,9	3,84
NP 65-12I	352	253	200	166	144	126	115	105	96,9	78,1	46,9	34,1	22,5	15,7	12,0	6,5

NP Konstantleistungsentnahme (Watt/Zelle) bei 1,65 V/Zelle Entladeschlußspannung bei 20°C
NP Constant Power-Discharge (Watt/cell) to 1.65 V/cell cut-off voltage at 20°C

Typ – Type	Autonomie in Minuten <i>Autonomy in minutes</i>									Autonomie in Stunden <i>Autonomy in hours</i>						
	5	10	15	20	25	30	35	40	45	1	2	3	5	8	10	20
NP 1-6	5,3	3,8	3,0	2,5	2,2	1,9	1,7	1,6	1,5	1,2	0,7	0,5	0,35	0,27	0,2	0,1
NP 1.2-6 / NP 1.2-12	6,3	4,6	3,6	3,0	2,6	2,2	2,0	1,9	1,7	1,4	0,9	0,6	0,4	0,28	0,24	0,12
NP 3-6	15,8	11,4	8,95	7,54	6,53	5,74	5,23	4,81	4,37	3,58	2,14	1,55	1,02	0,81	0,6	0,3
NP 4-6 / NP 4-12	21,0	15,2	12,0	10,1	8,7	7,7	7,0	6,4	5,8	4,8	2,9	2,1	1,4	0,93	0,74	0,4
NP 7-6 / NP 7-12	36,9	26,6	20,9	17,6	15,2	13,4	12,2	11,2	10,2	8,3	5,0	3,7	2,4	1,55	1,27	0,7
NP 10-6	52,7	38,1	29,8	25,2	21,8	19,1	17,4	16	14,6	11,9	7,1	5,2	3,4	2,3	1,83	1,1
NP 12-6 / NP 12-12	63,2	45,6	35,8	30,0	26,0	23,0	20,9	19,2	17,5	14,3	8,5	6,2	4,1	2,7	2,21	1,26
NP 0.8-12	4,2	3,0	2,4	2,0	1,8	1,5	1,4	1,3	1,2	1,0	0,6	0,4	0,3	0,18	0,15	0,08
NP 2-12	10,5	7,5	6,0	5,0	4,5	3,9	3,5	3,2	2,9	2,4	1,5	1,2	0,63	0,46	0,37	0,2
NP 2.3-12	12,0	8,8	6,9	5,8	5,3	4,5	3,9	3,6	3,4	2,7	1,6	1,3	0,72	0,5	0,4	0,25
NP 3.2-12	16,9	12,1	9,5	8,0	6,9	6,2	5,6	5,1	4,7	3,8	2,3	1,7	1,1	0,74	0,58	0,33
NP 17-12I	89,6	64,6	50,7	42,7	36,8	32,5	29,5	27,1	24,8	20,2	12,1	8,8	5,8	4,9	3,1	1,71
NP 24-12I	126	91,2	71,5	60,2	52,0	45,8	41,7	38,3	35,1	28,5	17,1	12,5	8,2	5,6	4,4	2,4
NP 38-12I	200	144	113	99,6	82,5	72,7	66,2	60,7	55,5	45,2	27,1	19,7	13,0	8,9	7,0	3,8
NP 65-12I	343	247	194	163	141	125	114	104	94,8	77,3	46,3	33,7	22,2	15,0	11,9	6,5

NP Konstantleistungsentnahme (Watt/Zelle) bei 1,70 V/Zelle Entladeschlußspannung bei 20°C
NP Constant Power-Discharge (Watt/cell) to 1.70 V/cell cut-off voltage at 20°C

Autonomie in Minuten
Autonomy in minutes

Autonomie in Stunden
Autonomy in hours

Typ – Type	5	10	15	20	25	30	35	40	45	1	2	3	5	8	10	20
NP 1-6	4,9	3,69	2,9	2,5	2,1	1,9	1,7	1,6	1,4	1,2	0,7	0,5	0,3	0,22	0,18	0,1
NP 1.2-6 / NP 1.2-12	5,9	4,4	3,5	3,0	2,5	2,2	2,0	1,9	1,7	1,4	0,8	0,6	0,4	0,26	0,22	0,12
NP 3-6	14,8	10,9	8,72	7,4	6,35	5,62	5,11	4,7	4,27	3,51	2,1	1,53	1,0	0,66	0,54	0,3
NP 4-6 / NP 4-12	19,8	14,5	11,6	9,9	8,5	7,5	6,8	6,3	5,7	4,7	2,8	2,0	1,3	0,88	0,72	0,4
NP 7-6 / NP 7-12	34,6	25,4	20,3	17,3	14,8	13,1	11,9	11,0	9,9	8,2	4,9	3,6	2,3	1,54	1,27	0,7
NP 10-6	49,5	36,3	29,1	24,7	21,2	18,7	17,0	15,7	14,2	11,7	7,0	5,1	3,3	2,2	1,8	1,0
NP 12-6 / NP 12-12	59,3	43,6	34,9	29,6	25,4	22,5	20,4	18,8	17,1	14,1	8,4	6,1	4,1	2,64	2,18	1,18
NP 0.8-12	4,0	2,9	2,3	2,0	1,7	1,5	1,4	1,3	1,1	0,9	0,6	0,4	0,3	0,18	0,15	0,08
NP 2-12	10,0	7,63	5,8	4,9	4,5	3,8	3,4	3,1	2,8	2,3	1,4	1,2	0,63	0,44	0,37	0,2
NP 2.3-12	11,4	8,3	6,7	5,7	5,3	4,38	3,8	3,5	3,29	2,6	1,5	1,3	0,7	0,5	0,4	0,23
NP 3.2-12	15,9	11,6	9,4	7,9	6,8	6,0	5,4	5,0	4,6	3,7	2,2	1,6	1,0	0,74	0,58	0,32
NP 17-12I	84,1	61,8	49,4	44,2	35,9	31,8	28,9	26,6	24,1	19,9	11,9	8,7	5,7	3,7	3,1	1,66
NP 24-12I	119	87,2	69,9	59,2	50,8	44,9	40,8	37,6	34,1	28,1	16,8	12,3	8,0	5,28	4,32	2,35
NP 38-12I	188	138	111	93,7	80,5	71,2	64,8	59,5	54,0	44,5	26,2	19,4	12,7	8,36	6,84	3,72
NP 65-12I	321	236	189	160	138	122	111	102	92,4	76,1	45,5	33,2	21,8	14,3	11,7	6,3

NP Konstantleistungsentnahme (Watt/Zelle) bei 1,75 V/Zelle Entladeschlußspannung bei 20°C
NP Constant Power-Discharge (Watt/cell) to 1.75 V/cell cut-off voltage at 20°C

Autonomie in Minuten
Autonomy in minutes

Autonomie in Stunden
Autonomy in hours

Typ – Type	5	10	15	20	25	30	35	40	45	1	2	3	5	8	10	20
NP 1-6	4,8	3,6	2,8	2,4	2,0	1,8	1,6	1,5	1,4	1,2	0,7	0,5	0,3	0,22	0,18	0,1
NP 1.2-6 / NP 1.2-12	5,6	4,3	3,4	2,8	2,5	2,2	2,0	1,8	1,6	1,4	0,8	0,6	0,4	0,26	0,22	0,12
NP 3-6	14,1	10,7	8,47	7,12	6,14	5,46	4,94	4,55	4,12	3,45	2,05	1,49	0,98	0,66	0,54	0,3
NP 4-6 / NP 4-12	18,8	14,2	11,3	9,5	8,2	7,3	6,6	6,1	5,5	4,6	2,7	2,0	1,3	0,87	0,71	0,41
NP 7-6 / NP 7-12	32,8	24,8	19,8	16,6	14,3	12,7	11,5	10,6	9,6	8,1	4,8	3,5	2,3	1,5	1,27	0,7
NP 10-6	46,9	35,5	28,2	23,7	20,5	18,2	16,5	15,2	13,7	11,5	6,8	5,0	3,3	2,2	1,8	1,0
NP 12-6 / NP 12-12	56,3	42,6	33,9	28,5	24,6	21,8	19,8	18,2	16,5	13,8	8,2	6,0	3,9	2,6	2,18	1,22
NP 0.8-12	3,8	2,8	2,3	1,9	1,6	1,5	1,3	1,2	1,1	0,9	0,5	0,4	0,3	0,17	0,15	0,08
NP 2-12	9,3	7,1	5,7	4,7	4,1	3,7	3,3	3,1	2,7	2,3	1,4	0,9	0,63	0,43	0,36	0,2
NP 2.3-12	10,7	8,1	6,6	5,5	4,7	4,3	3,7	3,5	3,2	2,6	1,5	1,1	0,7	0,5	0,4	0,22
NP 3.2-12	15,0	11,3	10,9	7,6	6,5	5,8	5,3	4,8	4,4	3,7	2,2	1,6	1,0	0,74	0,58	0,32
NP 17-12I	79,8	60,4	48,0	40,3	34,8	31,0	28,0	25,8	23,3	19,6	11,6	8,6	5,6	3,7	3,1	1,66
NP 24-12I	113	85,2	67,7	56,9	49,2	43,7	39,6	36,4	32,9	27,6	16,4	12,0	7,8	5,2	4,31	2,35
NP 38-12I	178	135	107	90,1	77,8	69,2	62,6	57,6	52,2	43,7	25,4	18,8	12,4	8,3	6,9	3,72
NP 65-12I	305	231	183	154	133	118	107	98,6	89,2	74,8	44,3	32,2	21,2	14,2	11,8	6,3

NP Konstantleistungsentnahme (Watt/Zelle) bei 1,80 V/Zelle Entladeschlußspannung bei 20°C
NP Constant Power-Discharge (Watt/cell) to 1.80 V/cell cut-off voltage at 20°C

Autonomie in Minuten
Autonomy in minutes

Autonomie in Stunden
Autonomy in hours

Typ - Type	5	10	15	20	25	30	35	40	45	1	2	3	5	8	10	20
NP 1-6	4,8	3,4	2,6	2,2	2,0	1,8	1,6	1,4	1,3	1,1	0,7	0,5	0,3	0,2	0,18	0,08
NP 1.2-6 / NP 1.2-12	5,4	4,1	3,1	2,7	2,4	2,1	1,9	1,7	1,6	1,3	0,8	0,6	0,4	0,26	0,21	0,12
NP3-6	13,5	10,2	7,68	6,82	5,89	5,26	4,74	4,33	3,95	3,26	1,97	1,43	0,94	0,6	0,54	0,24
NP 4-6/NP 4-12	18	13,6	10,2	9,1	7,9	7,0	6,3	5,8	5,3	4,3	2,6	1,9	1,3	0,86	0,7	0,41
NP 7-6/NP 7-12	31,5	23,7	17,9	15,9	13,7	12,3	11,1	10,1	9,2	7,6	4,6	3,3	2,2	1,5	1,25	0,69
NP 10-6	44,6	33,9	25,6	22,7	19,6	17,5	15,8	14,4	13,2	10,9	6,6	4,8	3,1	2,1	1,8	1,0
NP 12-6 / NP 12-12	53,9	40,7	30,7	27,3	23,6	21,0	18,9	17,3	15,8	13,0	7,9	5,7	3,8	2,6	2,16	1,22
NP 0.8-12	3,6	2,7	2,0	1,8	1,6	1,4	1,3	1,2	1,1	0,9	0,5	0,4	0,3	0,17	0,14	0,08
NP 2-12	8,9	6,7	5,2	4,5	3,9	3,5	3,2	2,8	2,6	2,2	1,4	0,9	0,63	0,43	0,36	0,2
NP 2.3-12	10,3	7,8	5,9	5,3	4,5	3,9	3,6	3,3	3,1	2,5	1,5	1,1	0,7	0,5	0,4	0,23
NP 3.2-12	14,4	10,8	8,2	7,3	6,3	5,7	5,0	4,7	4,2	3,4	2,1	1,5	1,0	0,74	0,58	0,32
NP 17-12I	76,4	57,6	43,5	38,6	33,4	29,8	26,6	24,6	22,4	18,5	11,2	8,35	5,3	3,6	3,1	1,73
NP 24-12I	108	81,3	61,4	54,5	47,1	42,1	37,9	34,7	31,6	26,1	15,8	11,5	7,5	5,2	4,3	2,35
NP 38-12I	171	129	97,2	86,3	74,6	66,7	60,0	54,8	50,1	41,3	25,0	18,2	11,9	8,2	6,8	3,7
NP 65-12I	292	220	166	148	128	114	103	93,9	85,7	70,6	42,8	31,1	20,4	14,0	11,6	6,3

NP Konstantstromentnahme (Ampère) bei 1,60 V/Zelle Entladeschlußspannung (in Minuten/Stunden) bei 20°C
NP Constant Current Drain (Ampères) to 1.60 V/cell cut-off voltage (in minutes/hours) at 20°C

Autonomie in Minuten
Autonomy in minutes

Autonomie in Stunden
Autonomy in hours

Typ - Type	5	10	15	20	25	30	35	40	45	50	1	2	3	5	8	10	20
NP1-6	3,20	2,30	1,70	1,40	1,20	1,04	0,90	0,84	0,77	0,72	0,63	0,37	0,27	0,18	0,15	0,11	0,05
NP1.2-6 / NP1.2-12	3,90	2,80	2,00	1,64	1,41	1,25	1,10	1,01	0,92	0,86	0,75	0,47	0,32	0,21	0,15	0,12	0,06
NP3-6	9,38	6,38	5,0	4,11	3,53	3,13	2,7	2,52	2,31	2,16	1,88	1,11	0,81	0,54	0,36	0,29	0,16
NP4-6 / NP4-12	12,5	9,30	6,90	5,60	4,71	4,20	3,70	3,36	3,00	2,88	2,60	1,48	1,08	0,72	0,48	0,39	0,21
NP7-6 / NP7-12	22,7	16,2	12,1	9,70	8,30	7,29	6,40	5,88	5,30	5,04	4,50	2,59	2,00	1,25	0,83	0,69	0,37
NP10-6	32,5	23,2	17,2	13,9	11,8	10,4	9,20	8,40	7,60	7,19	6,25	3,80	2,70	1,79	1,30	0,94	0,53
NP12-6 / NP12-12	39,0	27,8	20,7	16,6	14,1	12,5	11,0	10,1	9,10	8,63	7,50	4,50	3,30	2,14	1,43	1,17	0,70
NP0.8-12	2,60	1,90	1,40	1,10	0,96	0,83	0,74	0,68	0,62	0,58	0,52	0,31	0,22	0,16	0,10	0,08	0,04
NP2-12	6,50	4,60	3,40	2,74	2,35	2,08	1,70	1,68	1,50	1,44	1,26	0,77	0,55	0,36	0,25	0,20	0,11
NP2.3-12	7,40	4,89	3,90	3,15	2,71	2,40	2,10	1,93	1,80	1,66	1,44	0,85	0,62	0,49	0,27	0,23	0,12
NP3.2-12	10,4	7,40	5,50	4,38	3,77	3,33	2,90	2,69	2,50	2,30	2,00	1,19	0,90	0,58	0,41	0,31	0,17
NP17-12I	55,3	39,5	29,3	23,6	20,0	17,7	15,5	14,3	13,0	12,2	10,6	6,29	4,60	3,10	2,02	1,67	0,90
NP24-12I	75,0	51,1	40,0	32,9	28,2	25,0	22,0	20,2	18,3	17,3	15,2	8,89	6,49	4,30	2,86	2,40	1,26
NP38-12I	119	80,9	63,3	52,1	44,7	39,6	34,8	31,9	29,1	27,3	24,1	14,1	10,3	6,80	4,52	3,80	1,98
NP65-12I	203	138	108	89,0	76,5	67,7	59,5	54,6	49,2	46,8	40,6	24,1	17,6	11,6	7,74	6,50	3,42

NP Konstantstromentnahme (Ampère) bei 1,65 V/Zelle Entladeschlußspannung (in Minuten/Stunden) bei 20°C
NP Constant Current Drain (Ampères) to 1.65 V/cell cut-off voltage (in minutes/hours) at 20°C

Autonomie in Minuten
Autonomy in minutes

Autonomie in Stunden
Autonomy in hours

Typ - Type	5	10	15	20	25	30	35	40	45	50	1	2	3	5	8	10	20
NP1-6	2,91	2,20	1,70	1,40	1,15	1,02	0,90	0,83	0,75	0,71	0,62	0,37	0,27	0,17	0,12	0,10	0,05
NP1.2-6 / NP1.2-12	3,60	2,60	2,00	1,60	1,40	1,22	1,10	1,00	0,90	0,85	0,74	0,44	0,32	0,21	0,14	0,12	0,06
NP3-6	8,72	6,09	4,80	4,00	3,45	3,06	2,70	2,48	2,25	2,12	1,85	1,09	0,80	0,52	0,35	0,29	0,15
NP4-6 / NP4-12	12,2	8,70	6,60	5,50	4,70	4,10	3,70	3,31	3,00	2,83	2,50	1,50	1,10	0,70	0,48	0,39	0,21
NP7-6 / NP7-12	21,2	15,2	11,6	9,60	8,10	7,14	6,40	5,79	5,20	4,95	4,40	2,56	1,86	1,22	0,82	0,68	0,36
NP10-6	30,5	21,8	16,7	13,7	11,6	10,2	9,10	8,26	7,50	7,07	6,15	3,65	2,65	1,80	1,17	0,97	0,52
NP12-6 / NP12-12	36,5	26,0	20,0	16,4	13,9	12,2	10,9	9,92	9,00	8,48	7,39	4,40	3,18	2,10	1,40	1,20	0,66
NP0.8-12	2,50	1,80	1,40	1,10	0,94	0,82	0,74	0,68	0,60	0,57	0,49	0,31	0,21	0,16	0,94	0,08	0,04
NP2-12	6,10	4,30	3,30	2,67	2,30	2,04	1,70	1,65	1,50	1,41	1,30	0,76	0,55	0,35	0,25	0,19	0,11
NP2.3-12	7,00	5,00	3,80	3,20	2,70	2,35	2,10	1,90	1,80	1,63	1,42	0,90	0,61	0,40	0,27	0,22	0,12
NP3.2-12	9,80	6,90	5,30	4,40	3,68	3,27	2,90	2,65	2,40	2,26	1,97	1,20	0,89	0,56	0,37	0,31	0,17
NP17-12I	52,6	37,1	27,4	23,3	19,7	17,3	15,4	14,1	12,8	12,0	10,5	6,20	4,60	2,97	2,10	1,65	0,89
NP24-12I	70,6	49,0	38,4	32,0	27,8	24,5	21,8	19,8	18,1	17,0	14,8	8,76	6,37	4,20	2,81	2,40	1,24
NP38-12I	112	77,5	60,8	50,7	43,7	38,8	34,4	31,4	28,5	26,9	23,4	13,9	10,1	6,64	4,45	3,80	1,96
NP65-12I	191	133	104	86,7	75,3	66,3	58,9	53,7	48,6	45,9	40,1	23,7	17,2	11,4	7,61	6,50	3,35

NP Konstantstromentnahme (Ampère) bei 1,70 V/Zelle Entladeschlußspannung (in Minuten/Stunden) bei 20°C
NP Constant Current Drain (Ampères) to 1.70 V/cell cut-off voltage (in minutes/hours) at 20°C

Autonomie in Minuten
Autonomy in minutes

Autonomie in Stunden
Autonomy in hours

Typ - Type	5	10	15	20	25	30	35	40	45	50	1	2	3	5	8	10	20
NP1-6	2,80	1,94	1,54	1,40	1,12	0,99	0,90	0,81	0,74	0,69	0,61	0,36	0,26	0,17	0,11	0,10	0,05
NP1.2-6 / NP1.2-12	3,29	2,40	1,90	1,56	1,35	1,19	1,10	0,97	0,88	0,83	0,73	0,43	0,31	0,21	0,14	0,11	0,06
NP3-6	8,22	5,83	4,62	3,90	3,37	2,97	2,70	2,43	2,22	2,08	1,82	1,08	0,78	0,51	0,34	0,29	0,15
NP4-6 / NP4-12	11,2	7,77	6,30	5,40	4,60	3,96	3,60	3,30	2,90	2,78	2,42	1,50	1,04	0,68	0,46	0,38	0,20
NP7-6 / NP7-12	19,5	13,6	10,8	9,40	7,87	6,93	6,30	5,67	5,10	4,86	4,30	2,60	1,82	1,20	0,81	0,67	0,35
NP10-6	28,0	20,0	15,4	13,5	11,2	9,90	9,00	8,20	7,30	6,94	6,10	3,60	2,60	1,71	1,15	0,95	0,51
NP12-6 / NP12-12	33,5	24,0	19,0	16,1	13,6	11,9	10,8	9,80	8,80	8,33	7,30	4,32	3,12	2,05	1,38	1,14	0,61
NP0.8-12	2,30	1,55	1,30	1,10	0,90	0,79	0,74	0,68	0,57	0,56	0,49	0,29	0,21	0,15	0,09	0,08	0,04
NP2-12	5,60	3,88	3,20	2,60	2,25	1,98	1,70	1,62	1,50	1,39	1,21	0,75	0,54	0,34	0,23	0,19	0,10
NP2.3-12	6,50	4,60	3,60	3,10	2,58	2,30	2,10	1,86	1,58	1,60	1,39	0,90	0,60	0,39	0,26	0,22	0,12
NP3.2-12	8,76	6,40	4,92	4,30	3,60	3,17	2,80	2,59	2,30	2,22	1,94	1,20	0,87	0,55	0,39	0,31	0,16
NP17-12I	47,6	34,0	26,9	22,9	19,2	16,8	15,3	13,9	12,5	11,8	10,3	6,12	4,50	2,91	1,95	1,62	0,86
NP24-12I	66,7	46,6	36,9	31,2	27,3	24,0	21,6	19,4	17,6	16,7	14,6	8,63	6,24	4,10	2,76	2,39	1,21
NP38-12I	106	73,8	58,5	49,4	43,2	38,0	34,1	30,8	27,9	26,4	23,0	13,7	9,90	6,50	4,37	3,78	1,92
NP65-12I	181	126	100	84,4	73,9	65,0	58,2	52,6	47,9	45,1	39,4	23,4	16,9	11,1	7,48	6,47	3,28

NP Konstantstromentnahme (Ampère) bei 1,75 V/Zelle Entladeschlußspannung (in Minuten/Stunden) bei 20°C
NP Constant Current Drain (Ampères) to 1.75 V/cell cut-off voltage (in minutes/hours) at 20°C

Autonomie in Minuten
Autonomy in minutes

Autonomie in Stunden
Autonomy in hours

Typ - Type	5	10	15	20	25	30	35	40	45	50	1	2	3	5	8	10	20
NP1-6	2,58	2,00	1,47	1,24	1,07	0,95	0,85	0,78	0,73	0,66	0,58	0,36	0,26	0,16	0,11	0,09	0,05
NP1.2-6 / NP1.2-12	3,09	2,40	1,90	1,48	1,28	1,20	1,10	0,95	0,83	0,80	0,70	0,40	0,30	0,20	0,13	0,11	0,06
NP3-6	7,73	5,56	4,41	3,70	3,21	2,86	2,55	2,34	2,19	1,99	1,74	1,01	0,75	0,49	0,33	0,28	0,15
NP4-6	10,4	7,80	6,20	5,20	4,40	3,90	3,50	3,20	2,80	2,65	2,40	1,40	1,00	0,66	0,46	0,37	0,20
NP7-6 / NP7-12	18,2	13,6	11,0	9,00	7,70	6,67	6,10	5,60	5,00	4,64	4,20	2,50	1,80	1,15	0,78	0,65	0,35
NP10-6	25,8	19,5	15,5	12,9	11,1	9,70	8,80	7,81	7,10	6,62	6,00	3,50	2,60	1,65	1,11	0,93	0,50
NP12-6 / NP12-12	31,3	23,4	18,6	15,5	13,3	11,6	10,5	9,60	8,60	7,95	7,20	4,02	3,11	1,98	1,33	1,11	0,60
NP0.8-12	2,06	1,48	1,30	0,99	0,86	0,76	0,71	0,63	0,57	0,53	0,47	0,27	0,20	0,15	0,09	0,08	0,04
NP2-12	5,16	3,90	3,20	2,47	2,30	2,00	1,70	1,56	1,40	1,33	1,16	0,74	0,53	0,33	0,22	0,19	0,11
NP2.3-12	5,92	4,50	3,60	3,00	2,60	2,30	2,00	1,90	1,60	1,52	1,40	0,77	0,58	0,38	0,26	0,21	0,12
NP2.8-12	7,26	5,50	4,30	3,70	3,00	2,67	2,50	2,30	2,00	1,85	1,70	0,97	0,70	0,46	0,33	0,26	0,14
NP3.2-12	8,40	6,30	4,90	4,20	3,60	3,10	2,80	2,60	2,30	2,12	2,00	1,10	0,86	0,53	0,38	0,30	0,16
NP17-12I	44,3	33,1	26,3	21,9	18,8	16,4	14,8	13,6	12,1	11,3	9,86	6,00	4,40	2,80	1,88	1,57	0,87
NP24-12I	61,9	44,4	35,3	29,6	26,7	22,9	21,1	18,8	17,1	15,9	14,1	8,14	6,00	3,95	2,66	2,38	1,20
NP38-12I	97,9	70,4	55,9	46,9	42,1	36,2	33,3	29,7	27,2	25,2	22,0	12,9	9,50	6,26	4,21	3,76	1,90
NP65-12I	168	120	95,6	80,3	71,9	61,9	57,1	50,8	46,5	43,1	38,2	21,8	16,3	10,7	7,20	6,44	3,25

NP Konstantstromentnahme (Ampère) bei 1,80 V/Zelle Entladeschlußspannung (in Minuten/Stunden) bei 20°C
NP Constant Current Drain (Ampères) to 1.80 V/cell cut-off voltage (in minutes/hours) at 20°C

Autonomie in Minuten
Autonomy in minutes

Autonomie in Stunden
Autonomy in hours

Typ - Type	5	10	15	20	25	30	35	40	45	50	1	2	3	5	8	10	20
NP1-6	2,60	1,77	1,41	1,18	1,10	1,00	0,85	0,75	0,68	0,63	0,56	0,36	0,26	0,16	0,11	0,09	0,05
NP1.2-6 / NP1.2-12	2,93	2,20	1,69	1,50	1,30	1,20	1,00	0,90	0,84	0,76	0,68	0,40	0,29	0,19	0,13	0,11	0,06
NP3-6	7,32	5,31	4,23	3,53	3,06	2,73	2,55	2,24	2,04	1,90	1,67	1,09	0,79	0,52	0,35	0,29	0,15
NP4-6 / NP4-12	9,90	7,40	5,63	5,00	4,30	3,80	3,40	2,99	2,80	2,53	2,22	1,40	0,96	0,70	0,44	0,35	0,19
NP7-6 / NP7-12	17,4	13,0	9,86	8,70	7,40	6,70	6,14	5,40	4,80	4,43	3,89	2,39	1,69	1,11	0,76	0,62	0,35
NP10-6	24,8	18,6	14,1	12,4	10,7	9,50	8,50	7,71	6,90	6,33	5,56	3,33	2,49	1,59	1,07	0,92	0,48
NP12-6 / NP12-12	29,8	22,3	16,9	14,8	12,8	11,4	10,2	9,20	8,30	7,60	6,80	4,10	2,89	1,91	1,28	1,10	0,57
NP0.8-12	1,95	1,46	1,13	0,94	0,86	0,80	0,70	0,60	0,57	0,51	0,47	0,27	0,19	0,15	0,09	0,07	0,04
NP2-12	4,88	3,69	2,82	2,35	2,10	1,90	1,70	1,49	1,40	1,27	1,20	0,74	0,48	0,32	0,21	0,18	0,10
NP2.3-12	5,61	4,30	3,29	2,71	2,35	2,20	2,00	1,80	1,60	1,46	1,28	0,77	0,55	0,37	0,25	0,20	0,11
NP3.2-12	7,85	5,90	4,51	3,90	3,40	3,10	2,70	2,50	2,20	2,03	1,78	1,10	0,77	0,51	0,37	0,29	0,15
NP17-12I	42,2	31,6	23,9	21,1	18,1	16,1	14,5	13,1	11,8	10,8	9,60	5,80	4,30	2,70	1,82	1,50	0,85
NP24-12I	58,5	42,5	33,8	28,2	25,6	21,8	20,5	17,9	16,6	15,2	13,3	8,00	5,78	3,82	2,57	2,36	1,14
NP38-12I	92,7	67,9	53,5	44,7	40,5	34,6	32,4	28,4	26,4	24,1	21,1	12,7	9,40	6,03	4,06	3,36	1,81
NP65-12I	159	116	91,6	76,5	69,4	59,1	54,5	48,5	45,1	41,1	36,1	21,7	15,7	10,3	6,95	6,40	3,26

1.0 Lagerung – Storage

Falls die Batterien nicht sofort installiert und in Betrieb genommen werden sollen, ist es empfehlenswert, die Batterien in den Kartons zu belassen und an einem kühlen, sauberen und trockenen Ort zu lagern. Bei einer Lagerung über 6-9 Monate ab Produktionsdatum können die Batterien durch eine Ergänzungsladung auf ihre volle Kapazität aufgeladen werden.

If the batteries are not to be installed immediately, keep them boxed and stored in a cool, clean and dry place. If the batteries are to be stored for six months or more from date of production, a supplementary charge can be carried out to restore their full capacity.

2.0 Sichtkontrolle bei Entnahme – Unpacking and Inspection

Vorsicht: Batterien sind elektrochemisch permanent aktiv und spannungsführend – verbinden Sie daher nicht die Batteriepole direkt oder überbrücken Sie diese nie ohne Lastwiderstand.

Überprüfen Sie jede Batterielieferung in Bezug auf Transportschäden. Stellen Sie sicher, daß die Lieferung alle Gegenstände umfaßt, die auf dem Lieferschein oder auf der Rechnung aufgeführt sind, wie z. B. Verbinder, Abdeckkappen etc. Entnehmen Sie jede Batterie vorsichtig und achten Sie darauf, daß die Batteriepole nicht beschädigt werden. Prüfen Sie jede Batterie auf mechanische Beschädigung wie Risse oder Deformationen des Batteriegehäuses oder der Batteriepole. Messen Sie die offene Klemmenspannung, die pro Zelle über 2,1V liegen sollte.

Danger: Batteries are electrochemically live at all times. Do not short circuit the battery terminals. Inspect the battery consignment for signs of transport damage. Ensure the consignment has all items listed on the delivery note or invoice, i.e. batteries, cables, shrouds etc. While unpacking each battery, take care not to drop anything on the terminals. Inspect each battery for physical damage such as cracks or distortion of the case and terminals. Measure the battery open circuit terminal voltage which should be > 2.1 Volt/cell o.c.v.

3.0 Ergänzungsladung – Supplementary charge

Um eine optimale Gebrauchsdauer zu erzielen, sollte vor Inbetriebnahme eine Ergänzungsladung bei einer offenen Klemmenspannung kleiner als 2,1 V/Zelle erfolgen.

To ensure maximum service life, a supplementary charge should be carried out if the open circuit voltage is less than 2.1 Volts per cell.

Führen Sie die Ergänzungsladung gemäß folgender Tabelle durch:

A supplementary charge should be applied in accordance with figures shown in the table below:

Ergänzungsladung NP – Supplementary charge for the NP Battery range

Lagerdauer in Bezug auf Produktionsdatum <i>Storage Period</i>	Ladespannung/Zelle <i>Charge Voltage per Cell</i>	Ladezeit <i>Charge Time</i>
weniger als 1 Jahr <i>less than 1 year</i>	2,275 V/Zelle <i>2,275V/cell</i>	länger als 72 Stunden <i>more than 72 hours</i>
12 Monate und länger <i>1 year and more</i>	2,35 V/Zelle <i>2,35 V/cell</i>	mind. 48 Std; max. 144 Std. <i>48 to 144 hours</i>

Nach erfolgter Ladung prüfen Sie bitte die offene Klemmenspannung, die nach dem Ende des Ladevorgangs über 2,15 Volt/Zelle innerhalb 24 Stunden liegen sollte. Falls dieser Wert nicht erreicht wird, sollte die Batterie einmal entladen und wieder aufgeladen werden.

After completion of charging, please check that the battery open circuit voltage is above 2,15 Volts / cell within 24 hours from the end of charge. If not, one discharge/charge cycle will improve o.c.v. performance.

4.0 Check-Liste vor der Installation – *Pre-installation Check list*

Vorsicht: Batterien dürfen nicht in abgeschlossenen Behältnissen betrieben werden. Sorgen Sie für eine ausreichende Belüftung gemäß EN50272-2:2001.

Zu beachten: Eine permanente Batterietemperatur über 20°C reduziert die Gebrauchsdauer (siehe dazu Tabelle Abschnitt 5.1.)

Danger: *Batteries must not be installed in a sealed container.
Please check for sufficient ventilation according to EN 50272-2:2001.
A battery operational temperature of more than 20°C reduces the service life (see table in section 5.1.).*

4.1. Installation – *Installation*

Verwenden Sie einen Drehmomentschlüssel zur Montage der Blockverbinder. Stellen Sie das Drehmoment gemäß Tabelle 4.3 ein. Arbeiten Sie nur mit isoliertem Werkzeug! Beim Hantieren mit Batterien empfiehlt sich das Ablegen jeglichen Schmucks, Uhren und Ringen. Bei der Installation muss ein Luftspalt von 5-10 mm zwischen den einzelnen Blöcken vorgesehen werden. Achten Sie auf den Sicherheitsabstand zwischen Batterien und funkenbildenden Betriebsmitteln. Das Batteriegehäuse besteht aus "ABS"-Kunststoff und darf nicht mit organischen Lösungsmitteln oder Klebstoffen in Berührung kommen.

Please use a torque wrench to fasten the connectors onto the battery terminals. The torque should be adjusted according to the values shown in table 4.3. Please use only insulated tools! Remove all jewellery, watches and rings. If rings cannot be removed, insulate them with 3 layers of insulating tape. For sufficient installation, a distance of 5-10 mm between the battery blocks is necessary. Do not install the batteries close to any source of ignition, such as electrical switches or any components that may produce sparks.

The battery case is made from ABS resin, do not place it in an atmosphere with organic solvents or adhesive material.

4.2 Verbinden von Batterien - *Battery Connection*

Beim Verbinden von Batterien zu Batteriesträngen gehen Sie bitte methodisch vor. Verbinden Sie den negativen Anschlusspol einer Batterie mit dem positiven Anschlusspol der nächsten Batterie, und so weiter. Am Ende verbinden Sie die positive und negative Endableitung mit der Last oder dem Gleichrichter. Zur Parallelschaltung mehrerer Batteriestränge führen Sie alle positiven Endableiter auf den Pluspol und alle negativen Endableiter auf den Minuspol einer Sammelschiene oder Klemmleiste. Isolieren Sie alle Batteriepole.

When connecting batteries in a series string, always work methodically. Connect the negative terminal of one battery to the positive terminal of the next battery, and so on. Finally connect the positive and negative take-off loads to the system load or rectifier. For parallel connection of several battery strings, connect all positive take-offs to the positive terminal and all negative take-offs to the negative terminal of a bus bar or terminal block. Ensure all battery terminals are insulated.

4.3. Drehmomente der Polschrauben – *Fastening terminal bolts*

Die folgende Tabelle zeigt die optimalen Drehmomente für die Batteriepole.
The following table shows the optimal torque settings for terminal bolts.

Batterie <i>Battery</i>	Gewindedurchmesser <i>Bolt Diameter</i>	Drehmoment (Nm) <i>Fastening Torque (Nm)</i>
NP 17 -12I	M 5	2-3 Nm
NP 24 -12I	M 5	2-3 Nm
NP 38 -12I	M 5	2-3 Nm
NP 65 -12I	M 6	4-5,5 Nm

Bei starker Überschreitung der o.g. Drehmomente können die Anschlusspole der Batterien zerstört werden.
If the above mentioned torques are exceeded seriously, the battery terminals may be damaged.

5.0 Aufladen und Inbetriebnahme – *Charging and Commissioning*

Nach dem Verschalten der Batterien kann die Ladespannung zugeschaltet werden. Die Schwebeladespannung beträgt 2,275 Volt/Zelle +/-1% bei 20°C. Nach 12-24 Stunden steht die Batteriekapazität zur Verfügung.

After connecting the battery system, the charge voltage can be applied. The float charge voltage is 2,275 V/cell +/-1% at 20°C. The nominal capacity is achieved after 12-24 hours charging.

5.1. Schwebeladespannung, Temperatur und Gebrauchsdauer – *Float charge voltage, Temperature and Design Life*

Bei von 20°C abweichenden Batterietemperaturen muss mit -3mV/Zelle/°C kompensiert werden (siehe nachfolgende Tabelle). Vorsicht: Eine erhöhte Batterietemperatur wirkt sich negativ auf die Gebrauchsdauer unter Schwebeladespannung aus.

If the battery temperature is not 20°C, the charging voltage must be compensated by -3mV/cell/°C (see the table below).

Caution: *High operational temperature will have a severely detrimental effect on the battery life.*

Batterietemperatur [°C] <i>Operational Temperature [°C]</i>	Schwebeladespannung [V/Zelle] <i>Float Charge Voltage [V/cell]</i>	Gebrauchsdauer (unverb.) [Jahre] <i>Expected Battery Life (noncommittal) [years]</i>
0	2,335	5
5	2,320	5
10	2,305	5
15	2,290	5
20	2,275	5
25	2,260	3,5
30	2,245	2,5
35	2,230	1,75
40	2,215	1,25
45	2,200	10 Monate / months
50	2,185	7,5 Monate / months

5.2. Entladeschlussspannung – *Setting a Cut-Off Voltage*

Bei einer Entladung fällt die Batteriespannung unter ihren Nennwert von 2 Volt pro Zelle. Um einer zu tiefen Entladung und den daraus resultierenden Schäden entgegen zu wirken, darf die Entladeschlussspannung 1,6 V/Zelle nicht unterschreiten.

During the discharge, the battery voltage will fall below the nominal value of 2 Volts per cell. In order to prevent over-discharging and possible damage to the battery, the cut-off voltage must not be below 1.6 Volts per cell.

5.3. AC Ripple Current – effektive Welligkeit des Ladegleichstromes – *AC Ripple Current (the AC component on the DC charge current)*

Um eine optimale Gebrauchsdauer der Batterie zu erzielen, sollte die gemessene Welligkeit (R.M.S.) beim Gleichstrom möglichst gegen „0“ streben und auf jeden Fall kleiner als 0,1 C für Kapazitäten bis zu 17 Ah und kleiner als 0,05 C(A) bei Kapazitäten ab 24 Ah sein.

To obtain maximum service life of the battery, the value of measured AC ripple at R.M.S. on the DC charge current should be Zero but by no means more than 0,1 C for battery capacities up to 17 Ah and not more than 0,05 C(A) for capacities more than 24 Ah.

6.0 Inspektion und Wartung – *Inspection and Maintenance*

Um Problemen während des Betriebes vorzubeugen, wird empfohlen, die Batterien alle 6 Monate mit einem Kapazitätstest zu entladen und wieder voll aufzuladen. Während eines einjährigen Wartungsintervalls sollten die Blockspannungen während der Ladung und der Spannungsverlauf während der Entladung registriert werden. Den Höchstwert der Batterietemperatur zwischen den Inspektionen sollte ein Temperaturstreifen festhalten. Im Rahmen einer verlängerten Garantie sind diese und andere Werte zur Registrierung und Begutachtung YUASA Battery (EUROPE) GmbH Düsseldorf vorzulegen. Wartungsformblätter sind auf Wunsch erhältlich.

To prevent battery problems, the inspection and maintenance procedures outlined need to be implemented. During annual service inspections, take and log the voltage readings per battery block and make them accessible to YUASA Battery (EUROPE) GmbH. This will act as a historical battery system record which will assist in the early detection of possible system problems before they have a chance to develop (Voltage log sheet on request available from YUASA Battery (EUROPE) GmbH).

7.0 Kundenservice – *Customer Service*

In Zweifelsfällen und bei sonstigen technischen Fragen wenden Sie sich bitte an den technischen Kundendienst Ihres Distributors/Händlers oder an YUASA Battery (EUROPE) GmbH: Tel.: +49 / (0) 211/417 90-16 · Fax: +49 / (0) 211/417 90-11

If you have any queries concerning your battery system please contact the technical department of your local distributor/ dealer or YUASA Battery (EUROPE) GmbH: Tel. : +49 / (0) 211/ 417 90-16 · Fax: +49 / (0) 211/ 417 90-11

Zu beachten:

1. Die Konstant-Strom- bzw. Konstant-Leistung-Entladedaten der NP Baureihe beziehen sich auf eine Batterietemperatur von 20°C. Diese Werte sind als nominell und damit garantiert zu betrachten. Typische Werte übertreffen regelmäßig die nominellen Werte unter gleichen Bedingungen bei allen Batterietypen und können bei Bedarf gesondert erfragt werden.
2. Die geschätzte Betriebslebensdauer der NP Baureihe von 3 – 5 Jahren kann unter den empfohlenen Betriebsbedingungen erzielt werden, wenn dauerhaft eine Batterietemperatur von 20°C vorherrscht, die Batterie mit einer Schwebeladespannung von 2,275 V/Z ± 1% geladen wird und eine den Konstantladestrom überlagernde effektive Welligkeit den Wert von 0,05 C(A) nicht überschreitet.
3. Zur Vermeidung eines zu stark ansteigenden Ladestromes bei thermisch bedingter Absenkung des Innenwiderstandes der Batterie (thermal runaway), der sich ab 30°C zerstörerisch auf die Batterie auswirken kann, wird empfohlen, bei Temperaturen über 20°C die Schwebeladespannung um -3 mV/Zelle/°C abzusenken.
4. In Folge eines ansteigenden Innenwiderstandes der Batterie bei Temperaturen unter 20°C wird empfohlen, die Schwebeladespannung um +3 mV/Zelle/°C zu erhöhen.
5. Bei Temperaturen höher als 20°C vermindert sich die Lebensdauer der Batterie trotz temperaturgestützter Spannungskompensation der Schwebeladespannung.
6. Um die optimale Betriebslebensdauer der NP-Baureihe zu erreichen, sind unsere gesondert erstellten Installations-, Behandlungs- und Inbetriebsetzungsvorschriften einzuhalten.

To be noted:

1. *Constant current and constant power discharge data of the NP series are taken at 20°C battery temperature. These are nominal values and thereby guaranteed. Typical values regularly exceed the nominal guaranteed ones for all battery types under the same test conditions and can be readily made available on special request.*
2. *The estimated service life of the NP series is 3 – 5 years and can be achieved under recommended service conditions provided that the battery is permanently kept on float-charge of 2,275 V/cell ± 1% at 20°C and that the ripple current does not exceed 0,05 C(A).*
3. *The maximum service life can only be obtained by float-charging at the correct voltage, which depends on the temperature. Temperature compensation is required to avoid thermal runaway (at temperatures above 30°C), overcharge at high temperature and undercharge at low temperature.
The recommended temperature compensation factor is -3 mV/cell/°C with reference to a standard temperature of 20°C.*
4. *Owing to a rising internal resistance of the batteries at temperatures below 20°C, it is recommended to increase the float-charge voltage by +3 mV/cell/°C.*
5. *At temperatures above 20°C service life of the battery will be diminished even if temperature compensated float-charging is applied.*
6. *In order to achieve the optimal service life of the NP series, please respect our installation, operation and maintenance instructions.*



YUASA BATTERY (EUROPE) GmbH

Wanheimer Straße 47
40472 Düsseldorf · Germany

Tel.: + 49 (0) 2 11/4 17 90-0
Fax: + 49 (0) 2 11/4 17 90-11

info@yuasa-battery.de · www.yuasa.de

