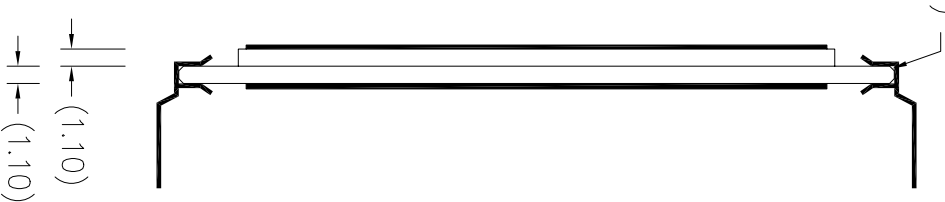
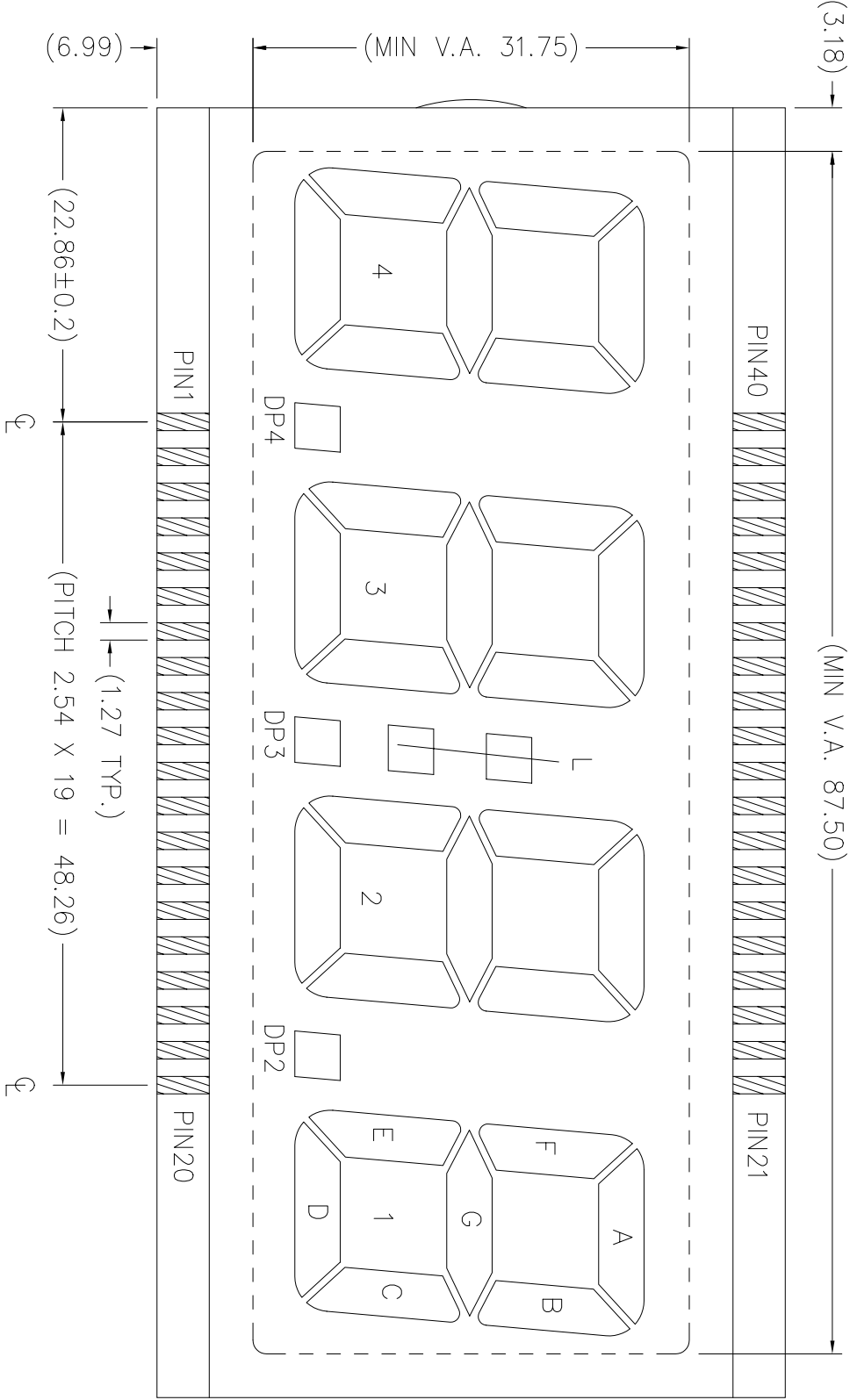
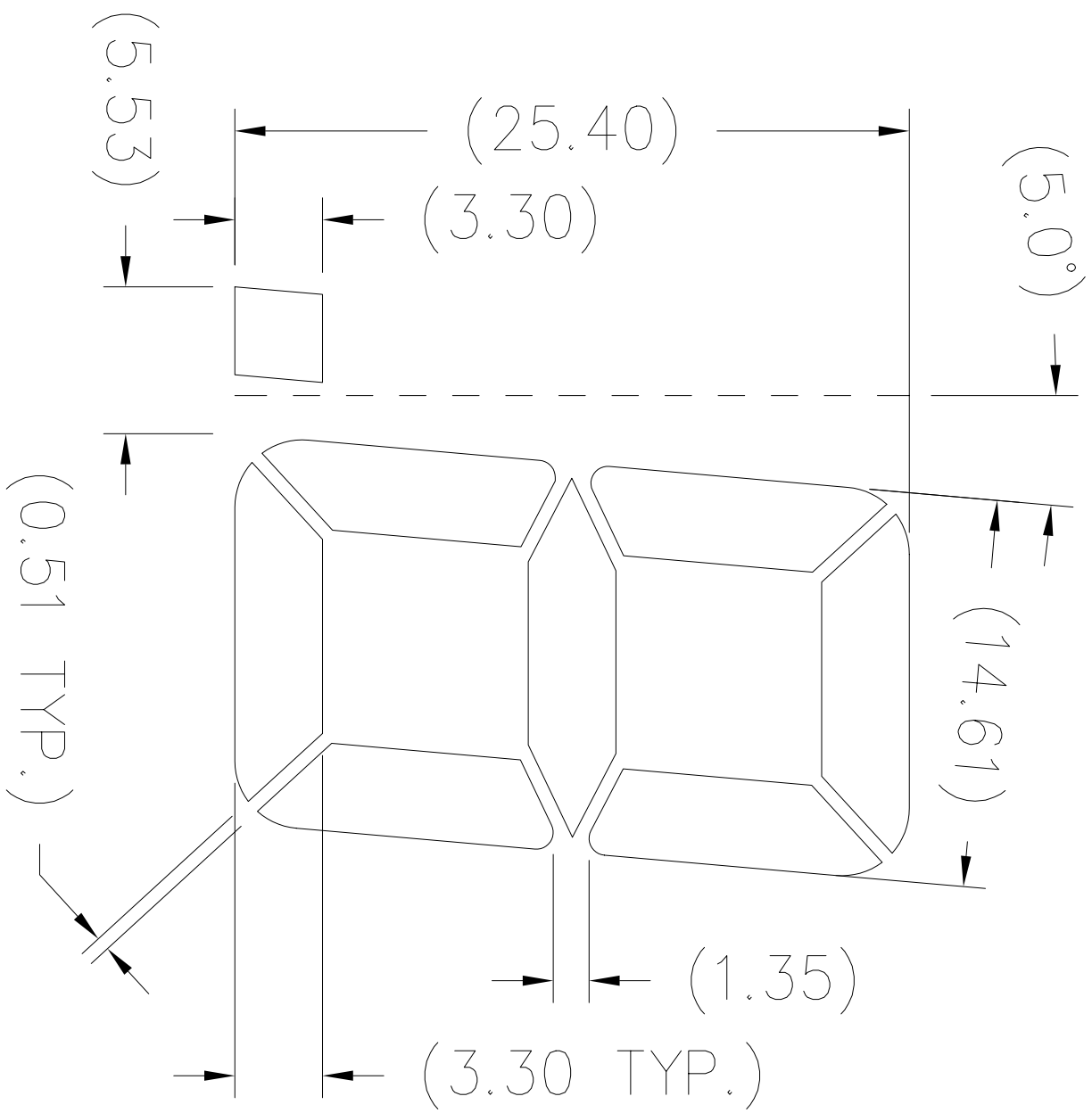


DWG.NO.: VI-421-DP (REV.0)

(BEVEL EDGE(4X))



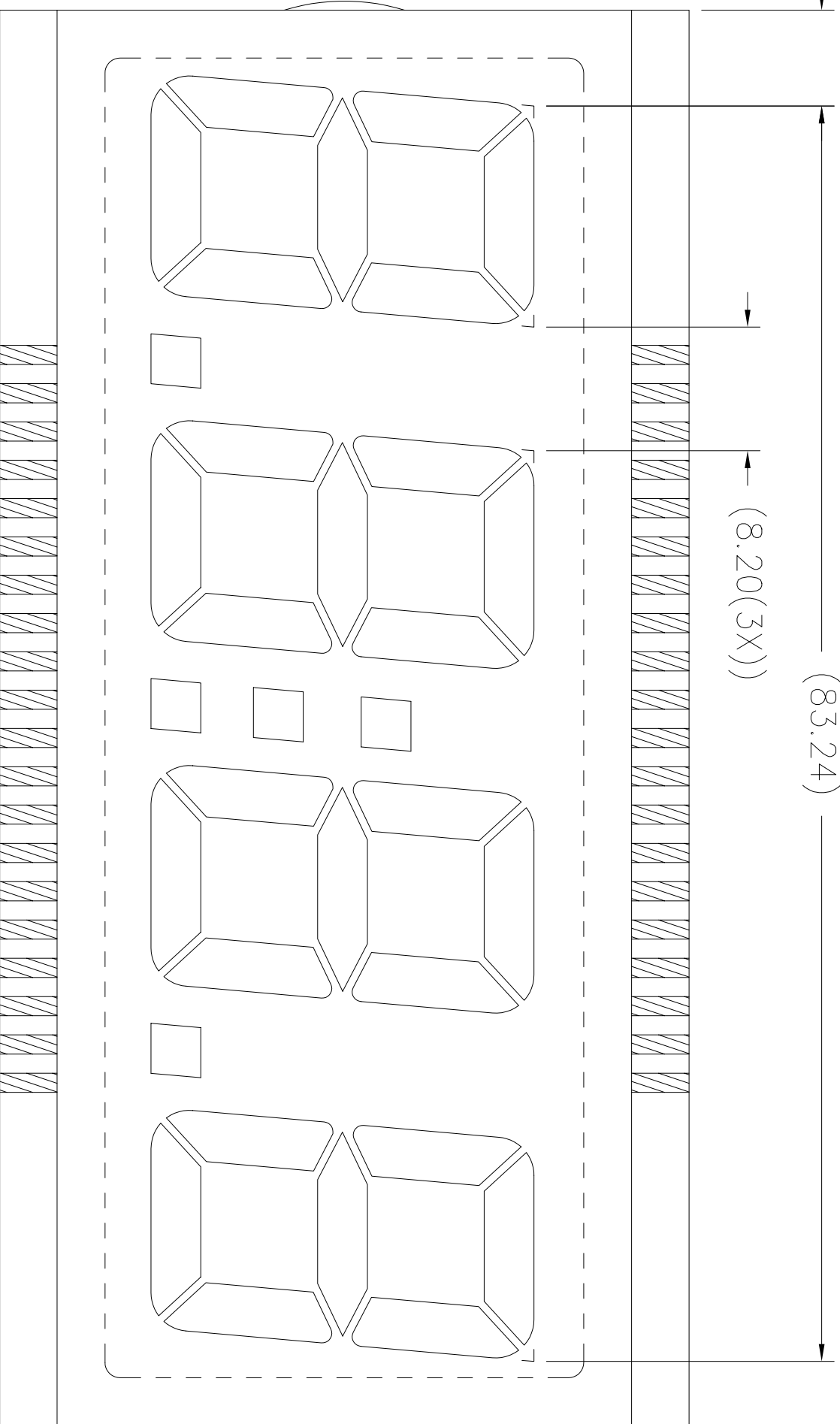


DWG.NO.: VI-421-DP (REV.0)

(6.35±0.2)

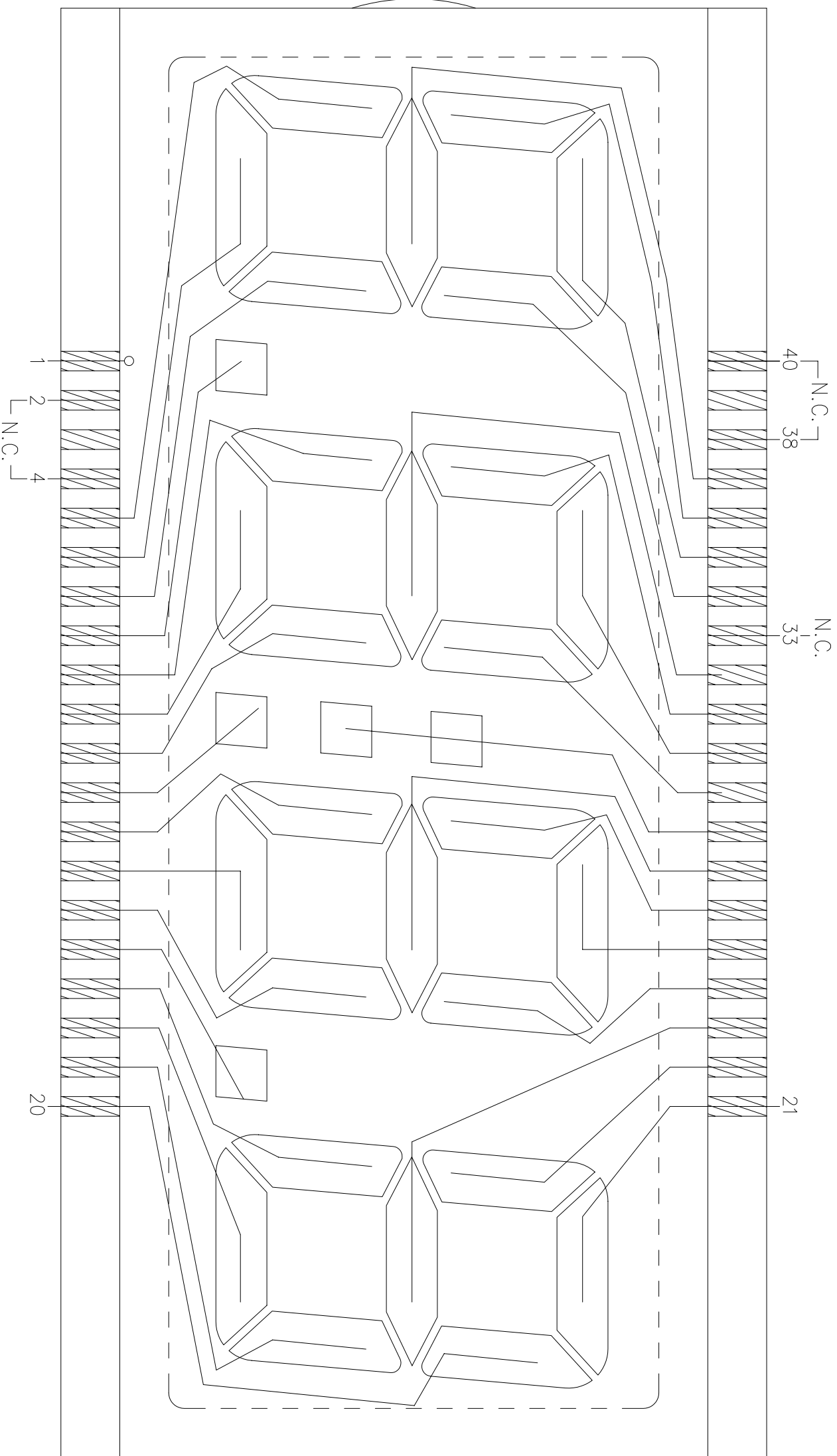
(83.24)

(8.20(3X))



DWG.NO.: VI-421-DP (REV.0)

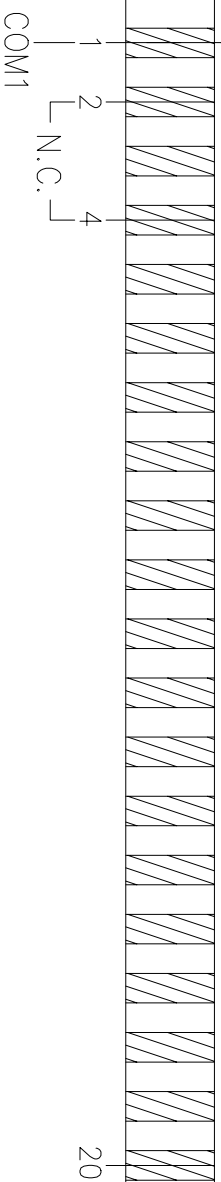
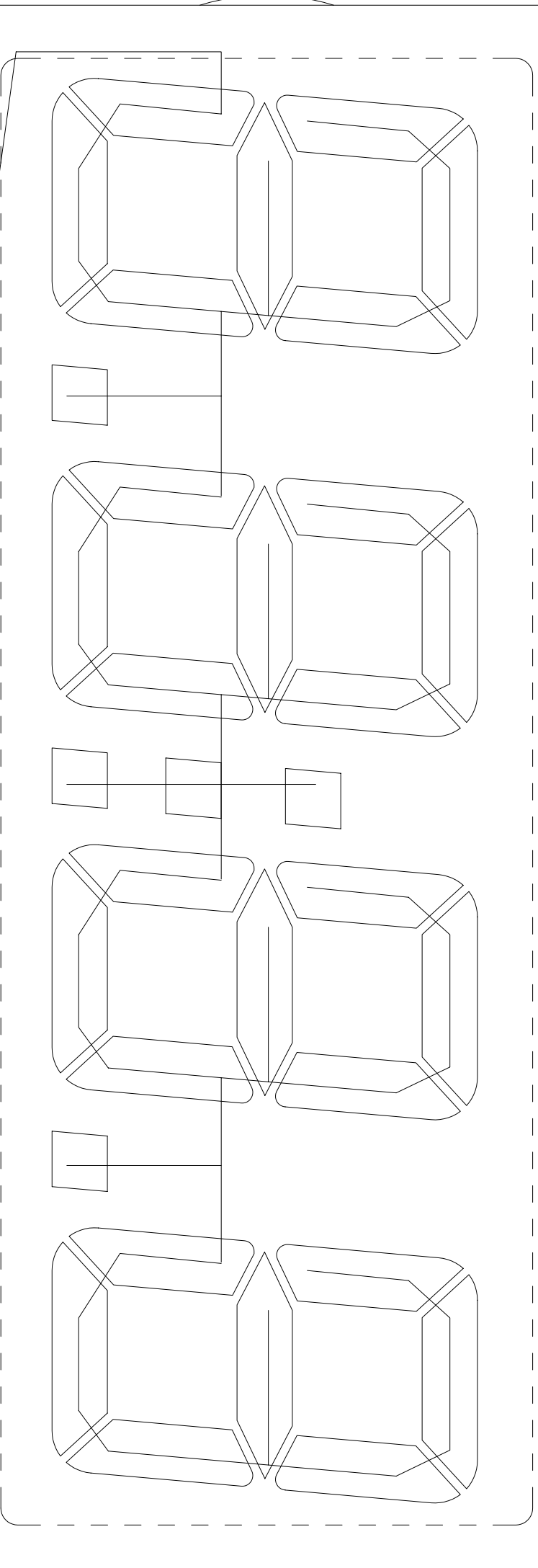
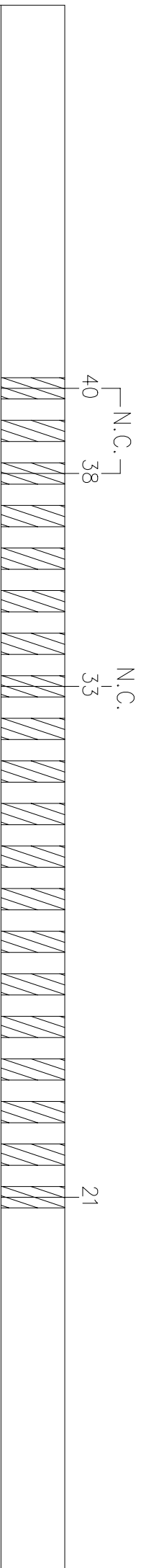
SEGMENT TRACKING



REMARKS : N.C. = NO CONNECTION

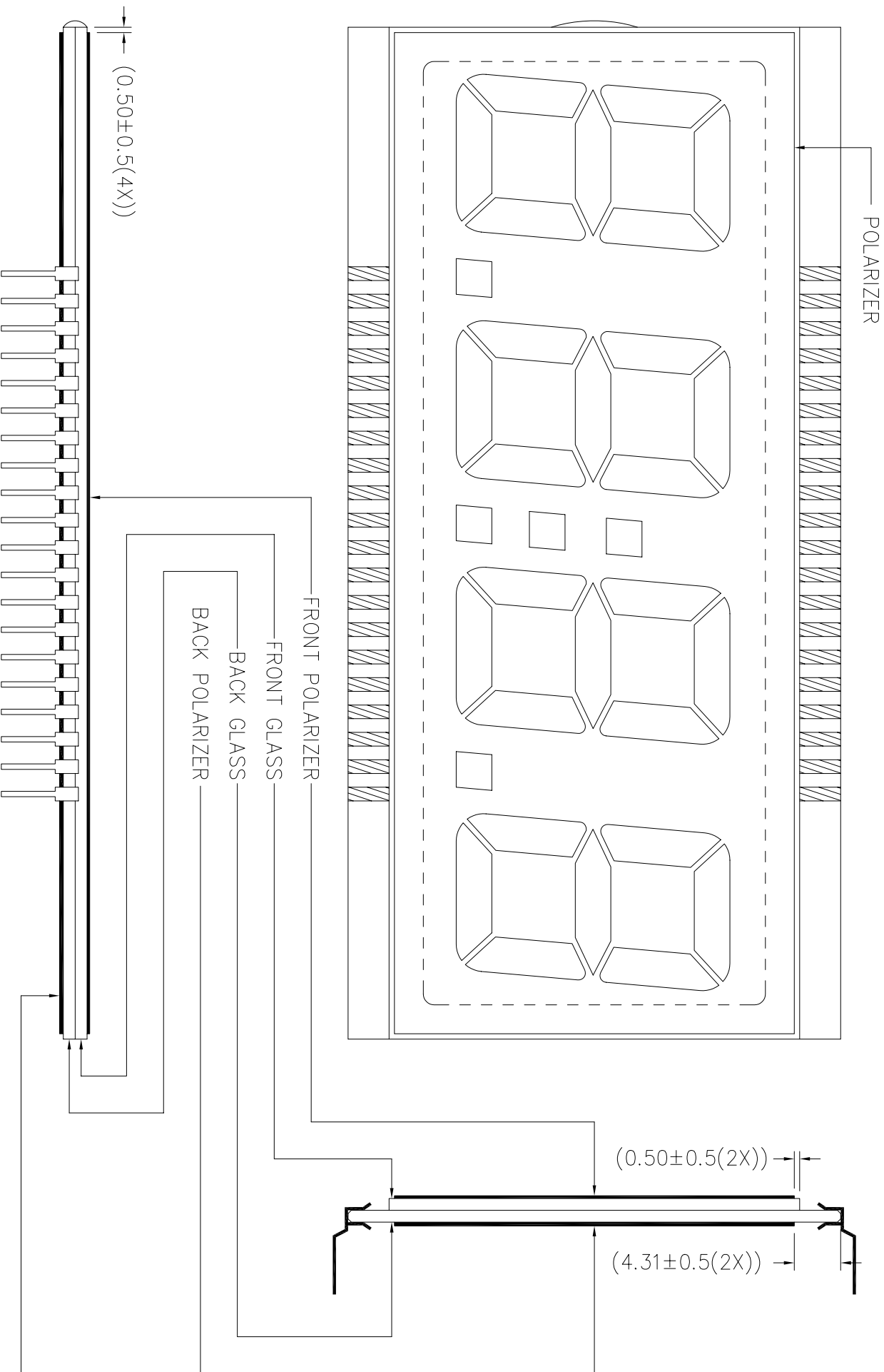
DWG.NO.: VI-421-DP (REV.0)

COMMON TRACKING

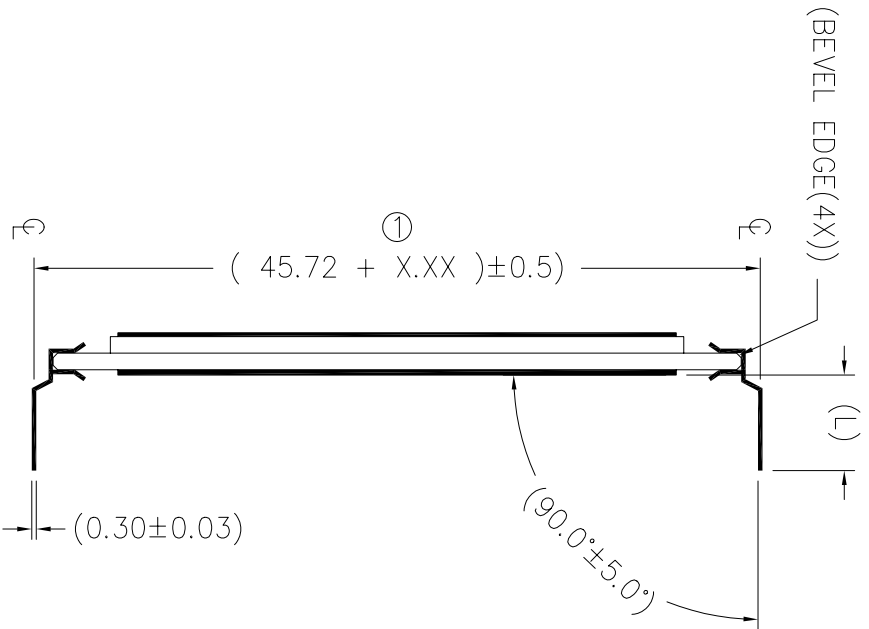
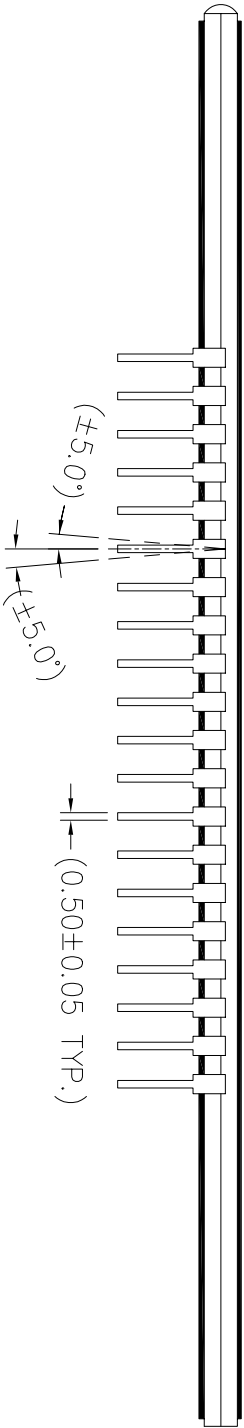
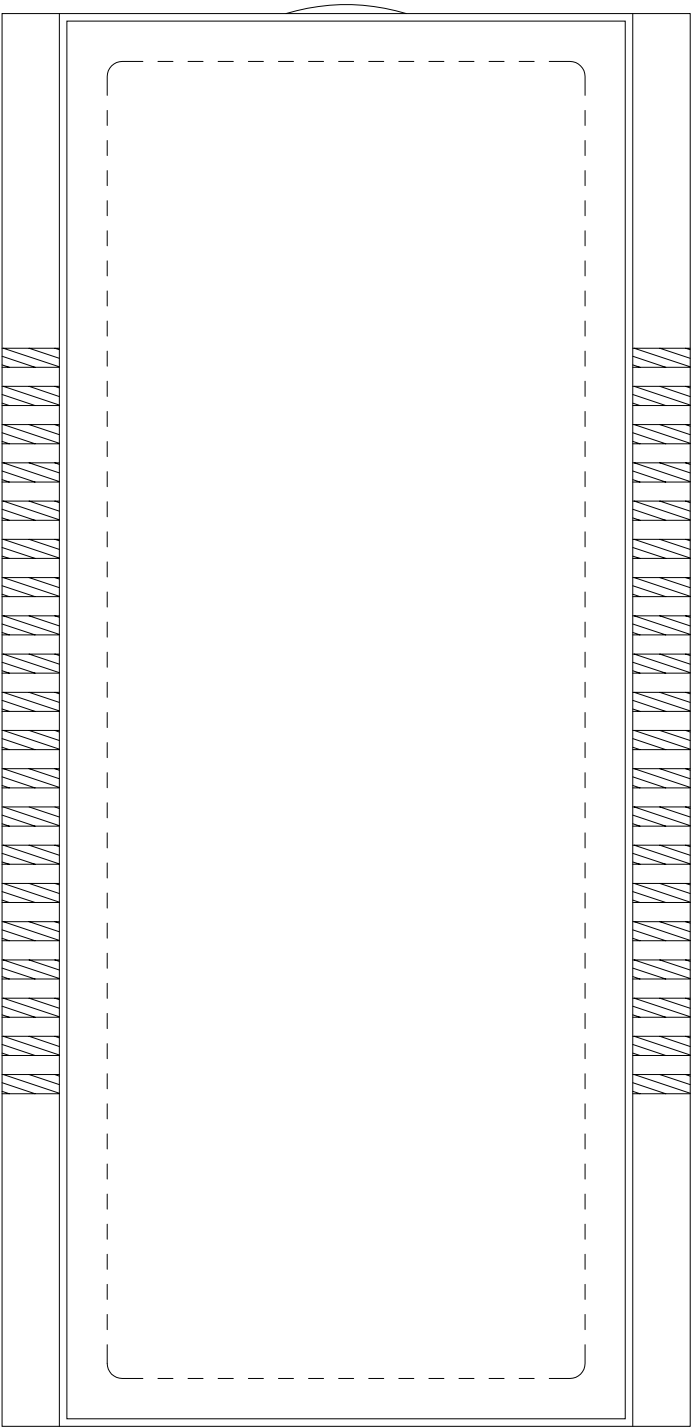


REMARKS : N.C. = NO CONNECTION

VARITRONIX LIMITED		OPEN LAYER :	SCALE
POLARIZER LOCATION DIAGRAM		P	Do not scale
DOC. NO. : PL-VI-421-DP-01		Drawn by : ZHP	Date : 2005-01-26
		Checked by : INA	Date : 2005-01-26
		Approval by :	Date : 2005-01-26



VARITRONIX LIMITED		OPEN LAYER :	SCALE
DIL-PIN DETAILS LOCATION DIAGRAM		DP-L0	Do not scale
DOC. NO. : DP-VI-421-DP-01	Drawn by : ZHP	Checked by : INA	Date : 2005-01-26
ALL DIMENSIONS IN mm	Approval by :	Date : 2005-01-26	



REMARKS: PIN LENGTH (L) REFER TO COVER PAGE

- ① ----- X.XX=2.54 (FOR PIN LENGTH \geq 3.20 & \leq 10.00mm)
- X.XX=1.75 (FOR PIN LENGTH $>$ 10.00 & \leq 19.50mm)

DWG.NO.: VI-421-DP (REV.0)

PIN	COM1
1	COM1
2	N.C.
3	N.C.
4	N.C.
5	4E
6	4D
7	4C
8	DP4
9	3E
10	3D
11	3C
12	DP3
13	2E
14	2D
15	2C
16	DP2
17	1E
18	1D
19	1C
20	1B

PIN	COM1
21	1A
22	1F
23	1G
24	2B
25	2A
26	2F
27	2G
28	L
29	3B
30	3A
31	3F
32	3G
33	N.C.
34	4B
35	4A
36	4F
37	4G
38	N.C.
39	N.C.
40	N.C.

REMARKS: N.C. = NO CONNECTION