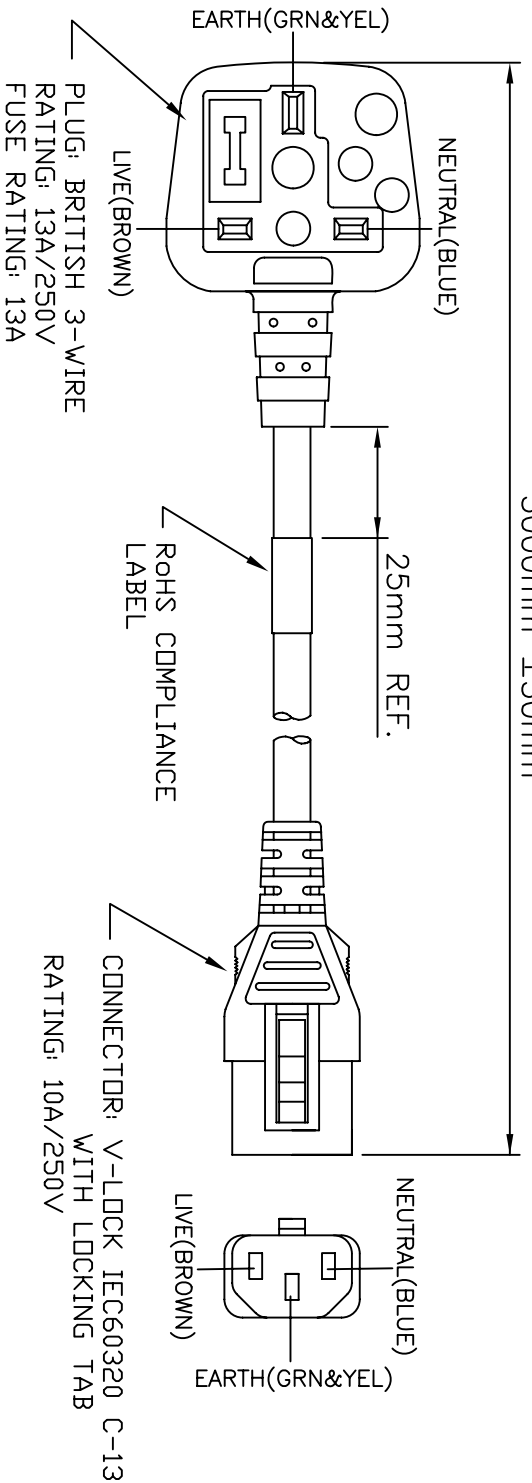
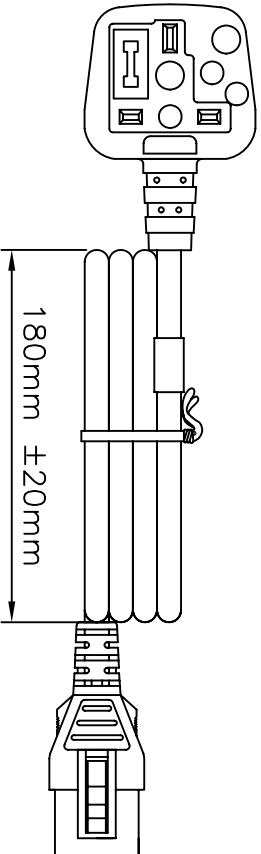



3000mm ±50mm



VOLEX RESERVES THE RIGHT TO ALTER NON-CRITICAL DIMENSIONS WITHOUT NOTICE.

PACKAGING: FOLD & TIE



- NOTES**
- 1) CORDAGE: HD5VV-F 3 X 1mm, BLACK, LEAD FREE
  - 2) APPROVALS: 
  - 3) PACKAGING: 40 PIECES PER CARTON
  - 4) THIS ITEM IS A CORD ONLY. NO C-14 INLET INCLUDED.

<input checked="" type="checkbox"/> Indianapolis, IN <input type="checkbox"/> Conover, N.C. <input type="checkbox"/> Freemont, CA <input type="checkbox"/> Aguascalientes, MX <input type="checkbox"/> Tijuana, Mexico <input type="checkbox"/> Hermosillo, MX <input type="checkbox"/> Clinton, AR <input type="checkbox"/> Kanata, Canada		<b>Proprietary Notice:</b> This document is the property of Volex Incorporated. The information contained herein is not to be disclosed to anyone without the express written consent of Volex Inc.		<b>MATERIAL:</b> PLUG: PVC-BLACK CONNECTOR: PVC-BLACK JACKET: PVC-BLACK		<b>FINISH:</b> JACKET: SMOOTH		<b>TOLERANCE UNLESS OTHERWISE SPECIFIED</b> .XXX ± .005 .XX ± .02 .X ± .03 FRACT. ± 1/32 ANGULAR ± 1/2°		<b>ITEM DESCRIPTION</b> CORDSET - BRITISH V-LOCK DETACHABLE POWER SUPPLY CORD (3M)	
<b>SCALE:</b> NDT TO SCALE		<b>ECD:</b> N/A		<b>APPROVED</b> STC		<b>DRAWN BY</b> STC		<b>DATE:</b> 6/21/07		<b>DATE</b> 6/21/07	
1		C.U.D - NEW RELEASE		STC		STC		VL-1724-23-300		6/21/07	



CUD

FORM IN71-07 REV.A