

Model RV4/RV4-CT/D-RV4  
 27mm Rotary Potentiometer  
 Long Life - 1 Million cycles  
 Conductive Plastic Element  
 Heavy Duty Applications  
 Sealed Unit Available  
 RoHS Compliant



## MODEL STYLES

Panel, Solder Lugs, Single Gang	RV4
Panel, Solder Lugs, with Center Tap	RV-CT
Panel, Solder Lugs, Dual Gang	D-RV4

## ELECTRICAL<sup>1</sup>

Resistance Range, Ohms	1K-1M $\Omega$
Standard Resistance Tolerance	$\pm 10\%$
Residual Resistance	6 $\Omega$ max.
Input Voltage, maximum	500 Vdc not to exceed power rating
Power rating, Watts	2 Watts @ 70°C for "B" Taper, 1 Watt for all others
Dielectric Strength	1000VAC, 1 minute
Insulation Resistance, Minimum	50M ohms at 500Vdc
Sliding Noise	100mV max.
Actual Electrical Travel, Nominal	300°
Electrical Continuity, Nominal	312°
Gang error	$\pm 3$ dB (-40dB to 0dB)

## MECHANICAL

Total Mechanical Travel	312° $\pm 5^\circ$
Static Stop Strength, Maximum	200 oz-in
Rotational Torque, (Single gang)	Dust Proof : 1.0.oz-in. Max. Sealed : 1.0 to 2.5 oz-in
Rotational Torque, Maximum (Dual gang)	Dust Proof : 3.0.oz-in. Sealed : 5.0 oz-in
Panel Nut Tightening Torque	25 lb-in

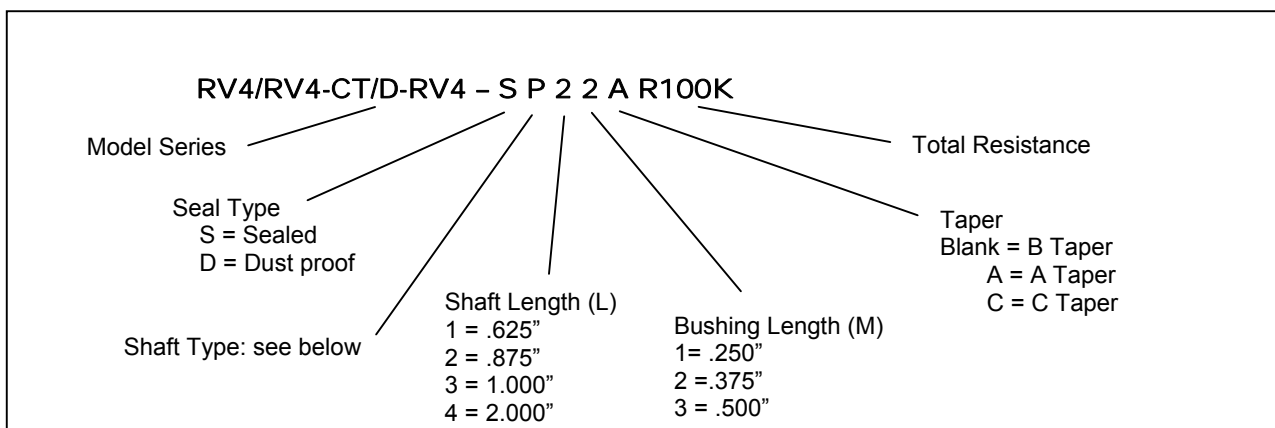
## ENVIRONMENTAL

Operating Temperature Range	-55°C to +120°C
Rotational Load Life	1M Cycles (10% $\Delta R$ )

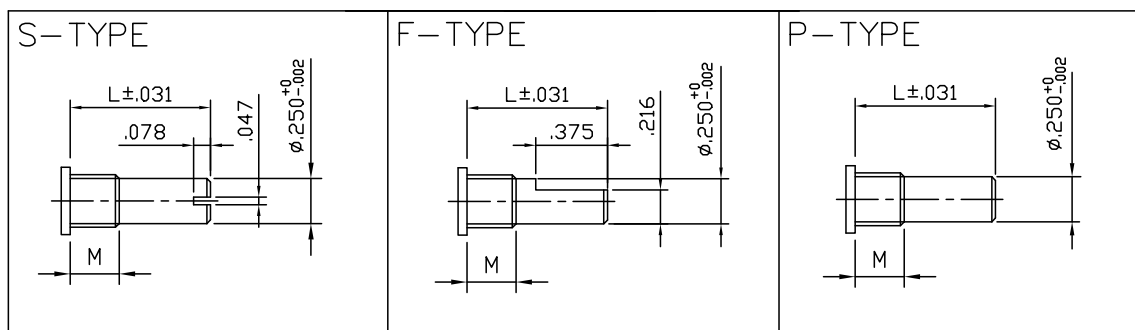
<sup>1</sup> Specifications subject to change without notice.

# Model RV4/RV4-CT/D-RV4

## ORDERING INFORMATION<sup>2</sup>



## Shaft Types

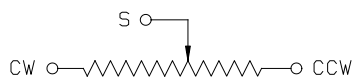


## STANDARD RESISTANCE VALUES, OHMS

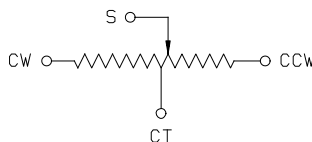
1K 2K 5K 10K 20K 50K 100K 200K 500K 1MEG

## CIRCUIT DIAGRAM

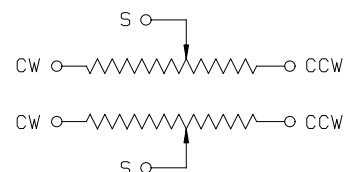
### RV4 (without Center Tap)



### RV4-CT (with Voltage Center Tap)



### D-RV4 (Dual Gang)

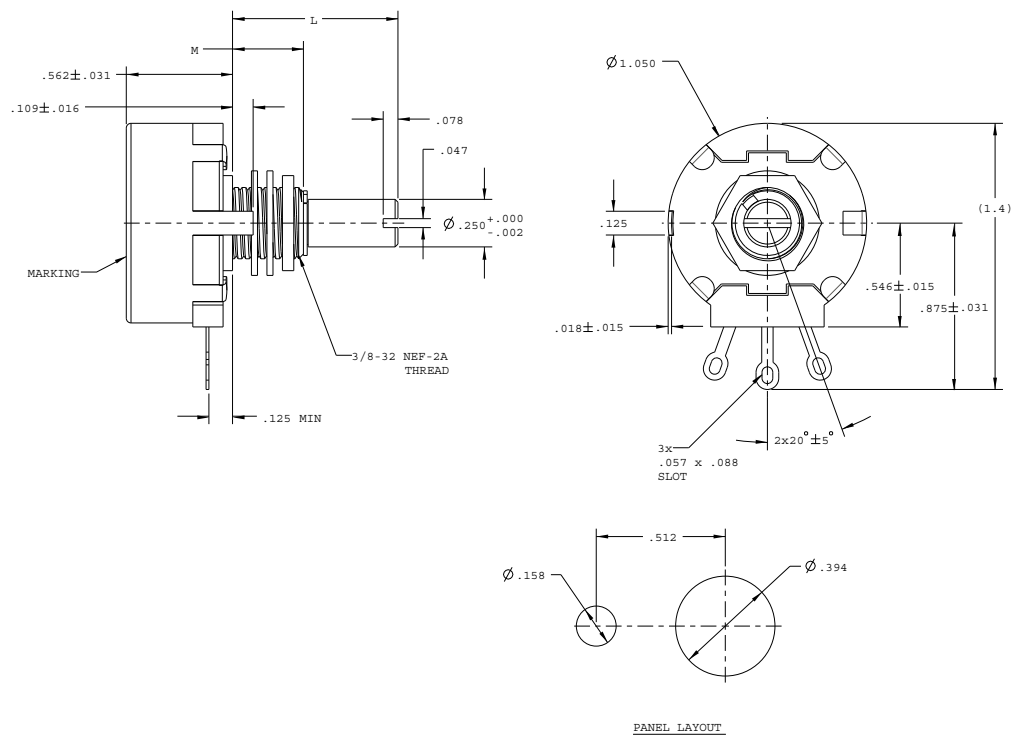


<sup>2</sup> Contact our customer service for custom designs and features.

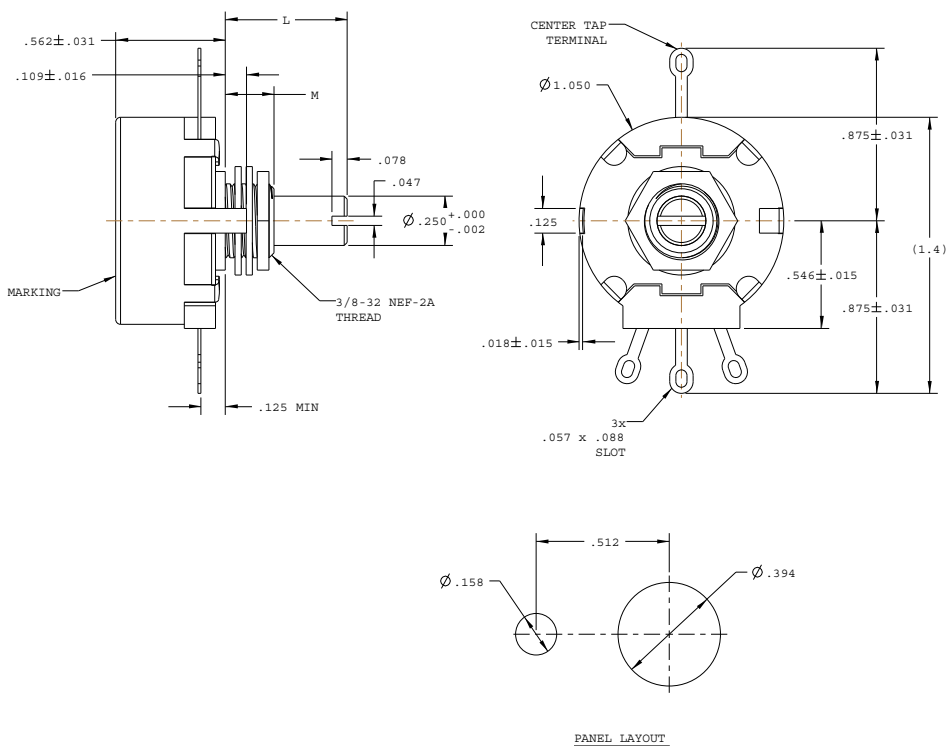
# Model RV4/RV4-CT/D-RV4

## OUTLINE DRAWING

### Model RV4



### Model RV4-CT (Center Tap)



# Model RV4/RV4-CT/D-RV4

## Model D-RV4 (Dual gang)

