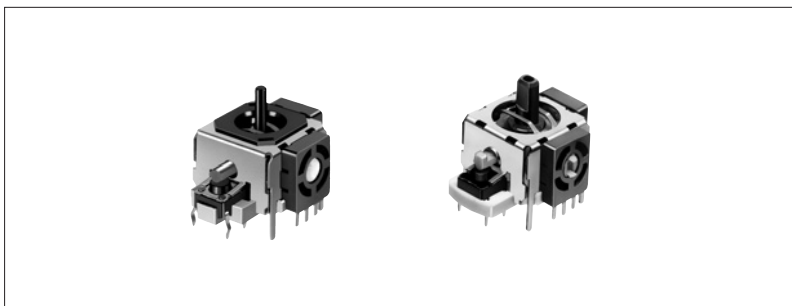


Stick Controller

RKJXK/RKJXP Series

Space-saving type is available with or without lever return mechanism.

- Power
- Push
- Slide
- Rotary
- Encoders
- Detector
- Dual-in-line Package Type
- Multi Control Devices
- TACT
- Custom-Products



Features

- Superior operational feeling free from operational irregularity due to direction. Ideal for finger-tip operation.
- Integrated TACT switch for selection contributes to the improvement of user-friendliness of the set.

Applications

- Remote controllers for audio systems and TVs
- Game controllers, electronic toy controllers

Typical Specifications (Potentiometer Part)

| Items | RKJXK | RKJXP |
|---------------------------|---|-----------------------|
| Rated power | 0.0125W | |
| Maximum operating voltage | 50V AC, 5V DC | |
| Operating force | 8mN·m max (Not Lever reset) 6±4mN·m (Lever reset type) | 17±10mN·m |
| Operating life | 100,000 cycles min. | 2,000,000 cycles min. |

Typical Specifications (Center Push Part)

| Characteristics | RKJXK | RKJXP |
|-----------------|--|---------------------------------------|
| Ratings (max.) | 50mA 12V DC | |
| Operating force | 5.2±2.6N | 6.4 ^{+3.4} _{-2.6} N |
| Travel | 0.5 ^{+0.5} _{-0.4} mm | |
| Operating life | 1,000,000 min. | |

Standard Products List (Recommended Products)

| Lever return mechanism | Center push | Total resistance (kΩ) | Resistance taper | Products No. | Minimum packing unit (pcs.) | Drawing No. |
|------------------------|-------------|-----------------------|------------------|--------------|-----------------------------|-------------|
| Without | Without | 10 | B (0B) | RKJXK1210002 | 500 | 1 |
| | | | | RKJXK122000D | | |
| With | With | | | RKJXK122400Y | 700 | 2 |
| | | | | RKJXP1224002 | | 3 |

For other detailed specifications, see P.324

Dimensions

Unit:mm

| No. | Model | Style | PC board mounting hole dimensions (Viewed from mounting side) |
|-----|------------------------|-------|---|
| 1 | RKJXK1210 RKJXK1220 | | |
| 2 | RKJXK1224 | | |
| 3 | RKJXP1224 | | |

Power

Push

Slide

Rotary

Encoders

Detector

Dual-in-line
Package Type

Multi Control
Devices

TACT

Custom-
Products

Variable
Resistor Type

Switch
Type

Products Specifications

| Items | | RKJXK | RKJXP | RKJXF | |
|-----------------------------|---------------------------|-----------------------------|--|--------------------------|---------------|
| Operating temperature range | | -10°C to +60°C | | | |
| Power | Rated power | 0.0125W | | 0.05W | |
| Push | Electrical performance | Directional resolution | | | |
| Slide | | Contiguity | | | |
| Rotary | | Insulation resistance | | | |
| Encoders | | 100MΩ min. 250V DC | | | |
| Detector | Voltage proof | | 250V AC for 1min. | | |
| Dual-in-line Package Type | Mechanical performance | Direction application force | | 5±4.5mN·m | |
| | | Push application force | | ————— | |
| | | Solder heat resistance | Manual soldering | | ————— |
| | | | Dip soldering | | ————— |
| Slider noise | | 300mV max. by JIS method | | 100mV max. by JIS method | |
| Lever stopper strength | | 0.3N·m | ————— | 0.3N·m | |
| Lever play | | 5°max. | | | |
| Lever strength | | 50N min. (Push/Pull) | | 30N min. (Push/Pull) | |
| Switch Type | Vibration | | 10 to 55 to 10Hz/min., the amplitude is 1.5mm for all the frequencies, in the 3 direction of X, Y and Z for 2 hours respectively | | |
| | Operating life | Directions | 100,000 cycles | 2,000,000 cycles | 50,000 cycles |
| | | Center detent | 1,000,000 cycles | | ————— |
| Environmental test | Cold | | -10±2°C for 96h | | |
| | Long-term heat resistance | | 70±2°C for 96h | | |
| | Moisture resistance | | 40±2°C, 90 to 95%RH for 96h | | |