

### INTRODUCTION:

Adam Tech Solder Cup D-Sub connectors are a popular interface for many I/O applications. Offered in 9, 15, 25, 37 and 50 positions, they are an excellent choice for a low cost industry standard connection. These connectors are manufactured with precision stamped contacts, choice of insulator colors and shell plating, and offer a wide selection of mating and mounting options. Adam Tech Solder Cup connectors can be soldered to cable ends or mounted directly to a PCB card edge.

### FEATURES:

- Cable or edge card mounting
- Industry standard compatibility
- Durable metal shell design
- Precision formed bifurcated contacts
- Mating and mounting options

### MATING CONNECTORS:

Adam Tech D-Subminiatures and all industry standard D-Subminiature connectors.

### SPECIFICATIONS:

#### Material:

Insulator: PBT, 30% glass reinforced, rated UL94V-0  
Insulator Colors: Black (White optional)  
Contacts: Phosphor Bronze  
Shell: Steel, Tin or Zinc plated  
Hardware: Brass, Nickel plated

#### Contact Plating:

Gold Flash (15 and 30 µin Optional) over Nickel underplate.

#### Electrical:

Operating voltage: 250V AC / DC max.  
Current rating: 5 Amps max.  
Contact resistance: 20 mΩ max. initial  
Insulation resistance: 5000 MΩ min.  
Dielectric withstanding voltage: 1000V AC for 1 minute

#### Mechanical:

Insertion force: 0.75 lbs max  
Extraction force: 0.44 lbs min

#### Temperature Rating:

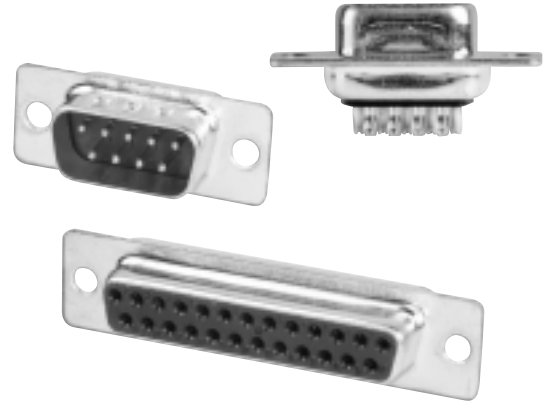
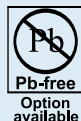
Operating temperature: -65°C to +125°C

### PACKAGING:

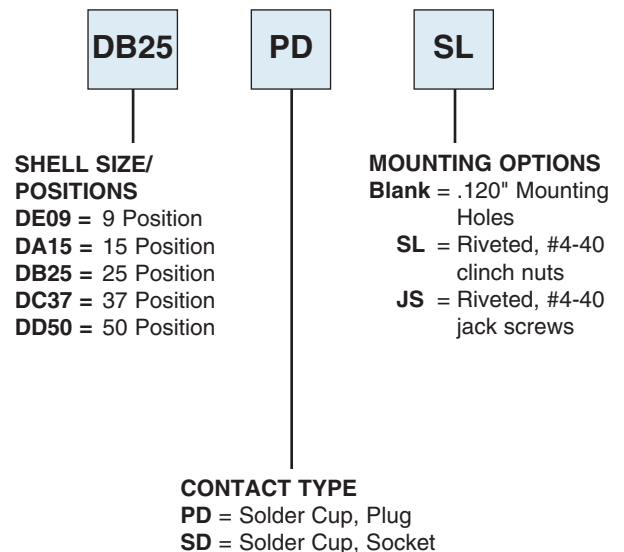
Anti-ESD plastic trays

### APPROVALS AND CERTIFICATIONS:

UL Recognized File No. E224053  
CSA Certified File No. LR1578596



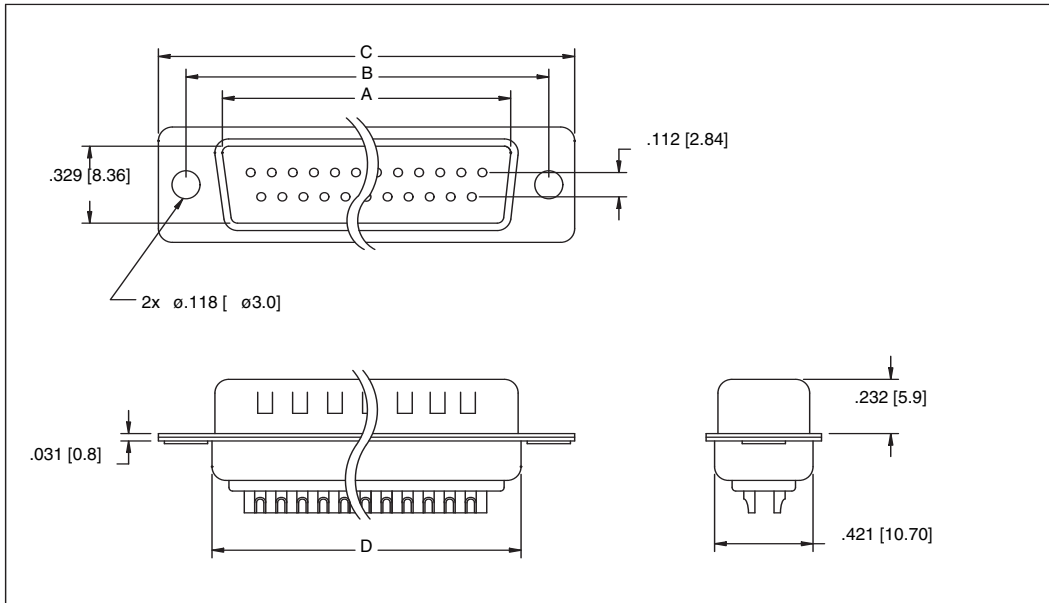
### ORDERING INFORMATION



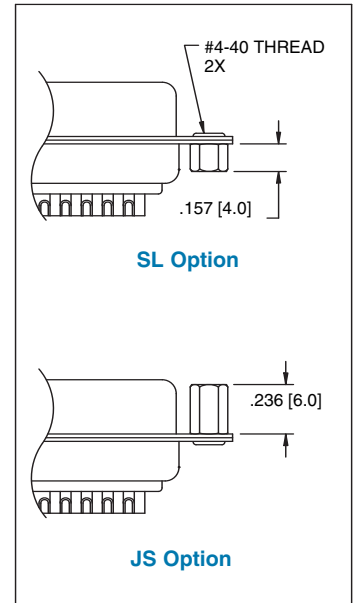
### OPTIONS:

Add designator(s) to end of part number  
30 = 30 µin gold plating in contact area  
RC = RoHS compliant lead-free product with Hi-Temp insulator

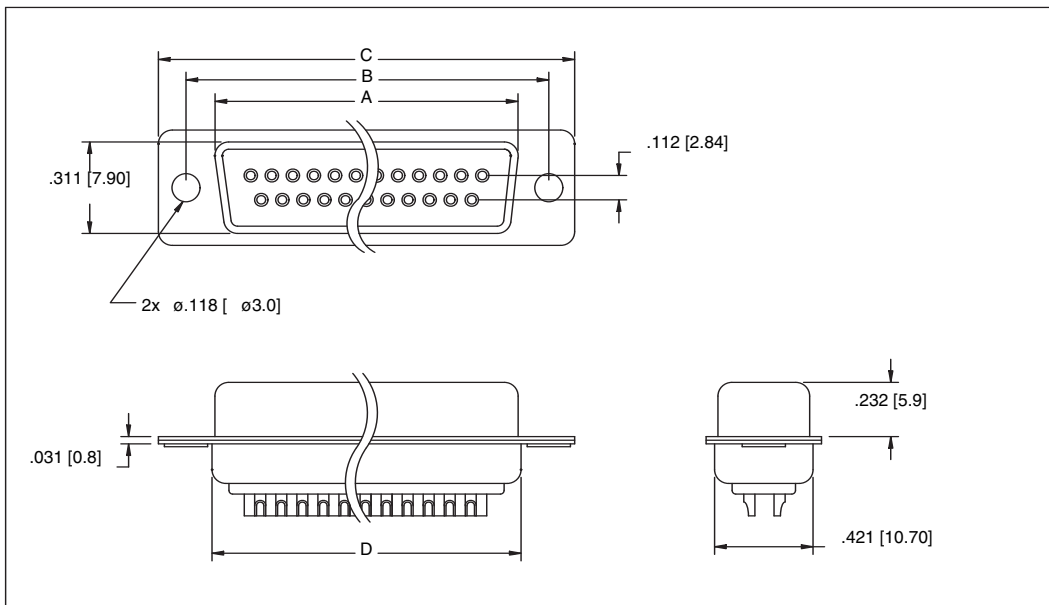
#### PLUG



#### MOUNTING OPTIONS



#### SOCKET



Unit: Inch / mm

POSITIONS	Socket Dimensions				POSITIONS	Plug Dimensions			
	A	B	C	D		A	B	C	D
9	.643 (16.33)	.984 (24.99)	1.213 (30.81)	.759 (19.28)	9	.666 (16.92)	.984 (24.99)	1.213 (30.81)	.759 (19.28)
15	.971 (24.66)	1.312 (33.32)	1.541 (39.14)	1.083 (27.51)	15	.994 (25.25)	1.312 (33.32)	1.541 (39.14)	1.083 (27.51)
25	1.511 (38.38)	1.852 (47.04)	2.088 (53.04)	1.625 (41.30)	25	1.534 (38.96)	1.852 (47.04)	2.088 (53.04)	1.625 (41.30)
37	2.159 (54.84)	2.500 (63.50)	2.729 (69.32)	2.272 (57.71)	37	2.182 (55.42)	2.500 (63.50)	2.729 (69.32)	2.272 (57.71)
50	2.064 (52.43)	2.406 (61.11)	2.635 (66.93)	2.178 (55.32)	50	2.079 (52.81)	2.406 (61.11)	2.635 (66.93)	2.178 (55.32)