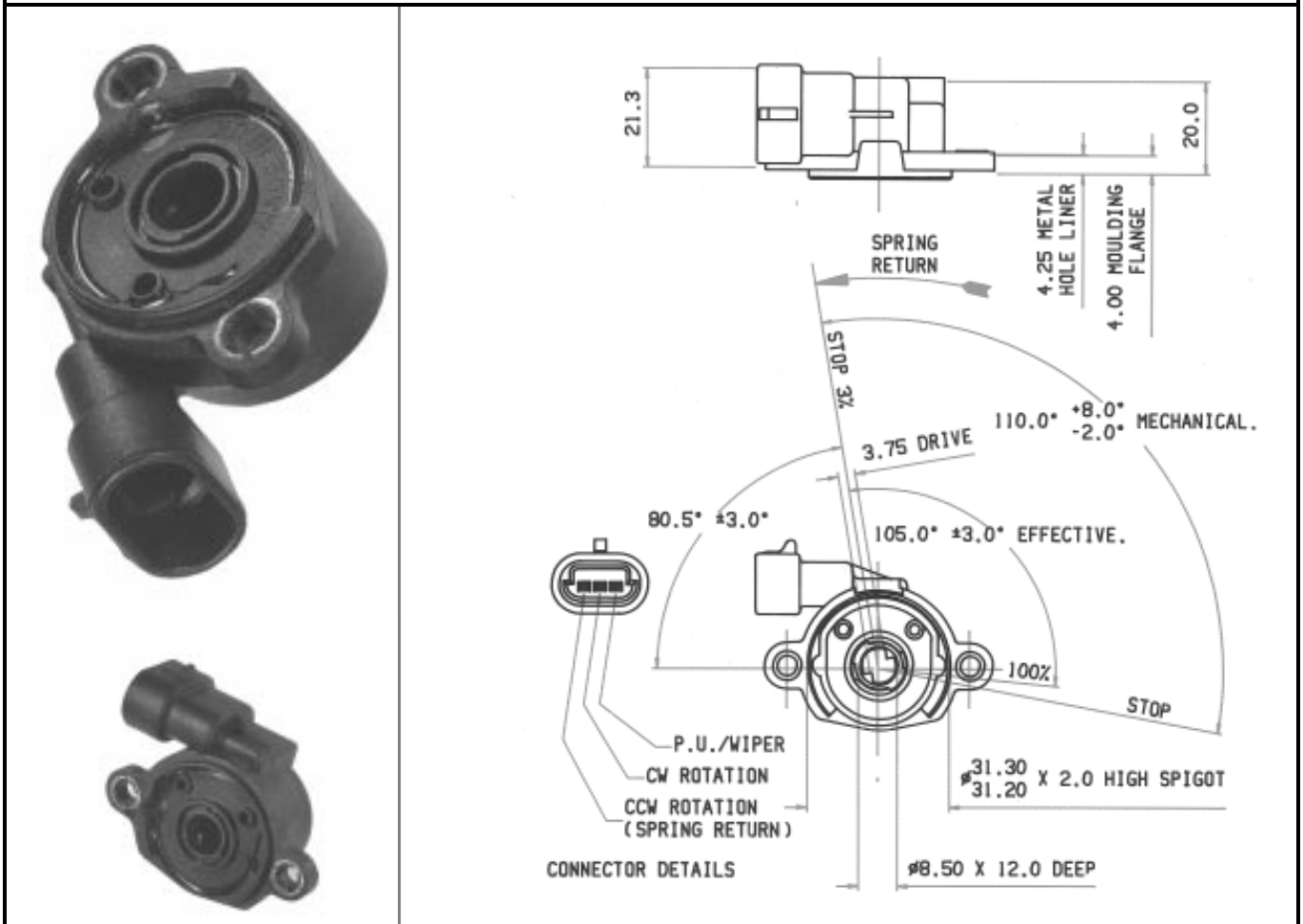


Throttle Position Sensor PF2C



Part Number	CP17/618
Resistance Value Options	500 to 5K ohms
Tolerance	+/-20%
Independent Linearity	± 2% max
Output Signal Temp Coeff.	<25 ppm / °C max
Output Smoothness	<0.5%
Operating Temperature	-40°C to +125°C
Isolation Voltage	500v a.c. r.m.s
Hysteresis	<0.3%
Effective Angle	105° ± 3°
Mechanical Angle	113° ± 5°
Operational Torque	70 mNm max
End Stop Torque	>800 mNm
Endurance	5 x 10 ⁶ cycles