

Model P110
 11mm Rotary Potentiometer
 Insulated Shaft
 Conductive Plastic Element
 With / Without Bushing
 RoHS Compliant



MODEL STYLES

| | |
|--------------------------------------|---------|
| Side Adjust , PCB pins | P110KV |
| Side Adjust , PCB pins, with Bushing | P110KV1 |
| Top Adjust, PCB pins | P110KH |
| Top Adjust, PCB pins, with Bushing | P110KH1 |

ELECTRICAL¹

| | |
|-----------------------------------|---------------------|
| Resistance Range, Ohms | 500-1M |
| Standard Resistance Tolerance | ± 20% |
| Residual Resistance | 20 ohms max. |
| Input Voltage, maximum | 50 Vac max. |
| Power rating, Watts | 0.05 |
| Dielectric Strength | 500Vac, 1 minute |
| Insulation Resistance, Minimum | 100M ohms at 500Vdc |
| Sliding Noise | 100mV max. |
| Actual Electrical Travel, Nominal | 260° |

MECHANICAL

| | |
|-------------------------|-------------------|
| Total Mechanical Travel | 300°± 10° |
| Static Stop Strength | 40 oz-in |
| Rotational Torque | 0.5 to 1.25 oz-in |

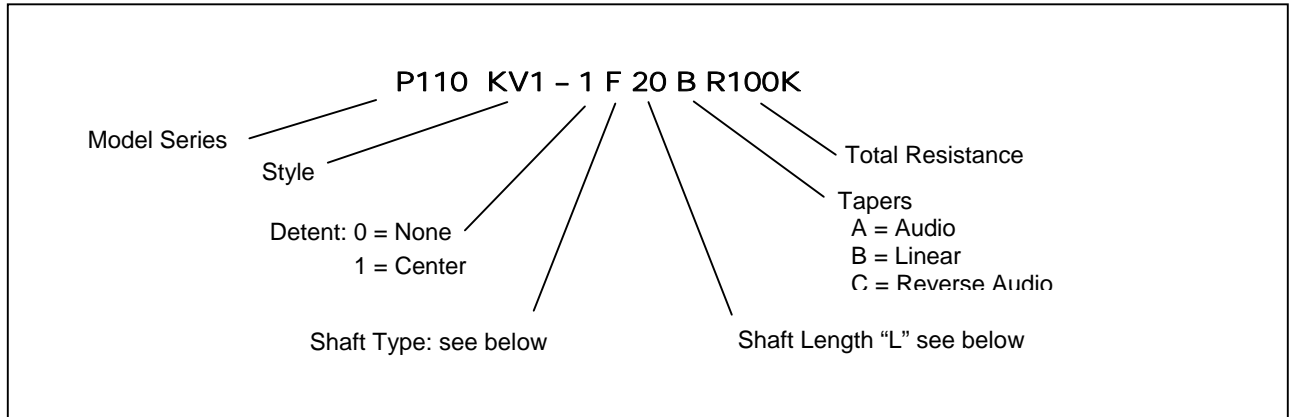
ENVIRONMENTAL

| | |
|-----------------------------|----------------|
| Operating Temperature Range | -20°C to +70°C |
| Rotational Life | 30,000 cycles |

¹ Specifications subject to change without notice.

Model P110

ORDERING INFORMATION²



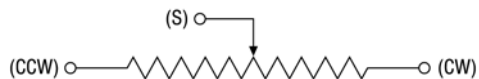
Shaft Types

| | F-TYPE | | | | | | Y-TYPE | | | |
|-----------------|--------|-----|----|----|----|----|--------|----|----|----|
| | | | | | | | | | | |
| WITH BUSHING | L | 15 | 20 | 25 | | | L | 15 | 20 | 25 |
| | T | 7 | 12 | 12 | | | T | 7 | 12 | 12 |
| WITHOUT BUSHING | L | 15 | 18 | 20 | 25 | 30 | L | 15 | 20 | |
| | T | 4.5 | 7 | 7 | 12 | 12 | T | 5 | 7 | |

STANDARD RESISTANCE VALUES, OHMS

500 1K 2K 5K 10K 20K 50K 100K 200K 500K 1MEG

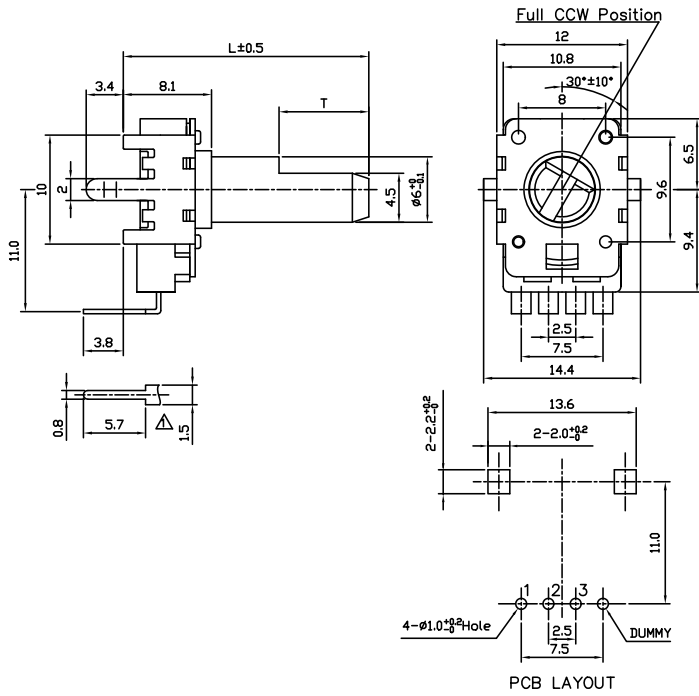
CIRCUIT DIAGRAM



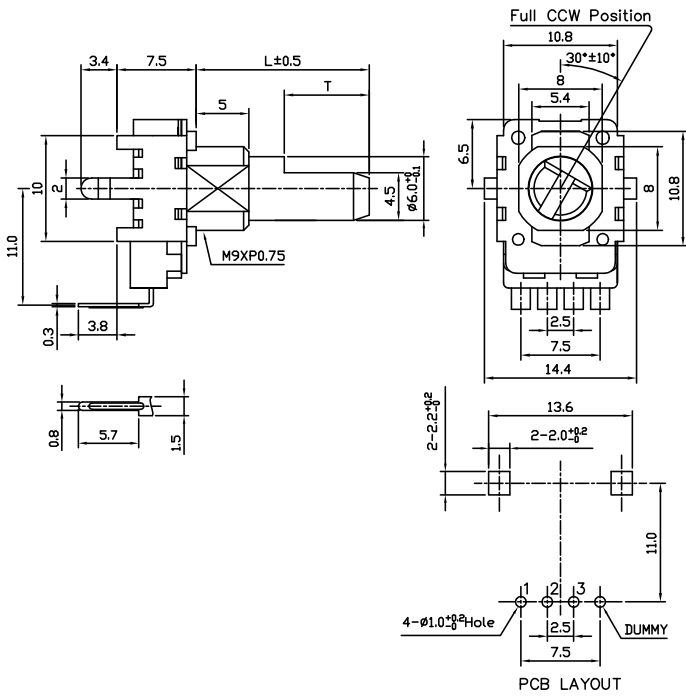
² Contact our customer service for custom designs and features.

Model P110

Model P110KH (Top Adjust, PCB pins)



Model P110KH1 (Top Adjust, PCB pins, with Bushing)



Model P110

