

D-SUBMINIATURE FLAT WIRE CONNECTORS

9 to 37 contacts

SPECIFICATIONS

Current Rating:	1 A
Contact Material:	Copper based Alloy
Contact Plating:	Gold over Nickel
Contact Area:	Gold over Nickel
Contact Plating:	Tin over Nickel
Solder Area:	Tin
Shell Material:	Steel
Shell Plating:	Tin
Insulator Material:	Polyamid, UL 94 V-0
Nominal Voltage:	125 V
Contact Resistance:	10 milliohms max.
Rate of Moisture:	75% rel. moisture according to DIN 40040 or MIL-C-21097B
Temperature Rating:	-65° to 155°C

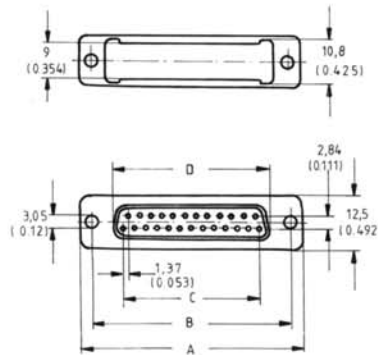
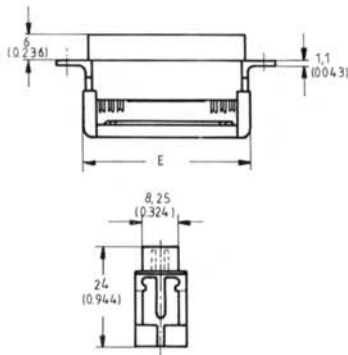
FEATURES

- D-Subs for mass termination connections to flat cable AWG 28 without wire stripping.
- Compatible with all other D-Sub connectors.
- Connect to single connectors or use as jumpers.
- Connectors have high pull-out resistance.
- Conform to MIL-C-24308.
- The position transmission from connector to cable occurs inside of the housing (1.376 to 1.27 mm).

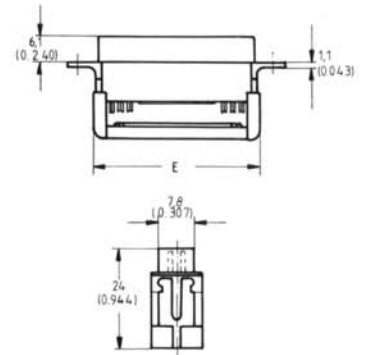


Shells tin plated, insulator grey

Pin connector



Socket connector



DIMENSIONS

Series	No. of contacts	A	B	C	D		E
					Socket connectors	Pin connectors	
IDCSUB	9	30.8	25.00	10.96	17.8	16.3	18.4
IDCSUB	15	39.1	33.32	19.33	26.2	24.5	26.7
IDCSUB	25	53.1	47.04	33.13	39.8	38.3	40.5
IDCSUB	37	69.5	63.50	49.70	56.2	54.8	56.9

ORDERING INFORMATION

Follow the sequence listed below to select the desired part number.

Example: IDCSUB 25-P is a D-Subminiature flat wire connector with 25 contacts, pin version with strain relief

Series	No. of contacts	Connector type	Strain relief
IDCSUB	25	P	SR
IDCSUB	9 15 25 37	P Pin connector S Socket connector	SR with strain relief