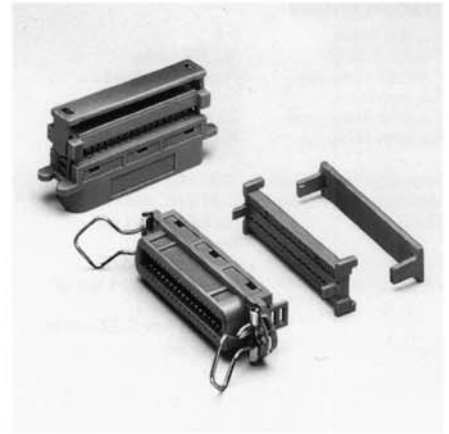


SPECIFICATIONS

Current Rating: 5 A
 Contact Material: Phosphor Bronze
 Contact Plating: Gold over Nickel
 Insulator Material: Polyamid, UL 94 V-0
 Temperature Rating: -55° to 125°C

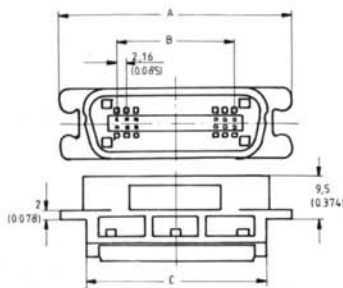
FEATURES

- Provide fast, easy assembly with flat cable (AWG 28, pitch 1.27 mm)
- Positive electrical contact with cable via dual beam contacts
- Assembly tools available
- Sockets have spring clips fitted, the plugs have solder buckets

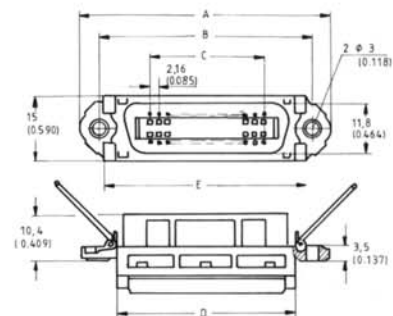


Needed for flat cable AWG 28 (page 67)

Male connector



Female connector



DIMENSIONS

Series	No. of contacts	A	B	C
I-57 IDC	24	48.0	23.5	38.0
I-57 IDC	36	61.0	36.7	51.0
I-57 IDC	50	76.0	51.5	66.0

Series	No. of contacts	A	B	C	D	E
I-57 IDC	24	54.0	47.0	23.5	38.0	45.0
I-57 IDC	36	67.0	60.0	36.7	51.0	58.0
I-57 IDC	50	83.0	75.0	52.0	69.0	73.0

ORDERING INFORMATION

Follow the sequence listed below to select the desired part number.

Example: I-57 IDC 36-M is a centronics connector for flat cable AWG 28 with 36 contacts, male version.

