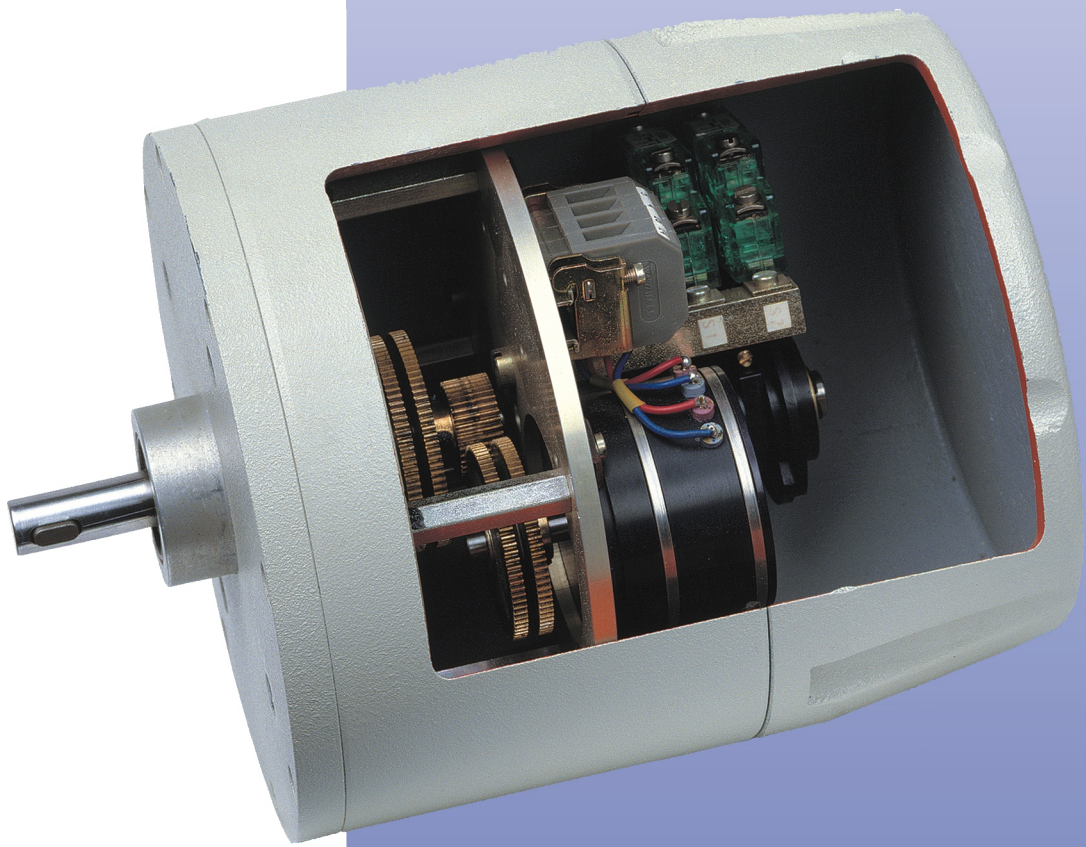


Protective Casings



Protective Casings

For protection against mechanical damage as well as dusty and moist industrial atmospheres, a series of protective casings is available for the whole line of angular position transmitters. These protective casings can partly be equipped with backlash compensating gearings with a degree of protection ranging from IP 40 up to IP 67 and protection class Exd3nG5m respectively. Most of the protective casings offer the option to incorporate cam operated limit switches with forced contact break for endpoint limitation. Switch point position and contact travel can be adjusted as desired by using a screwdriver.

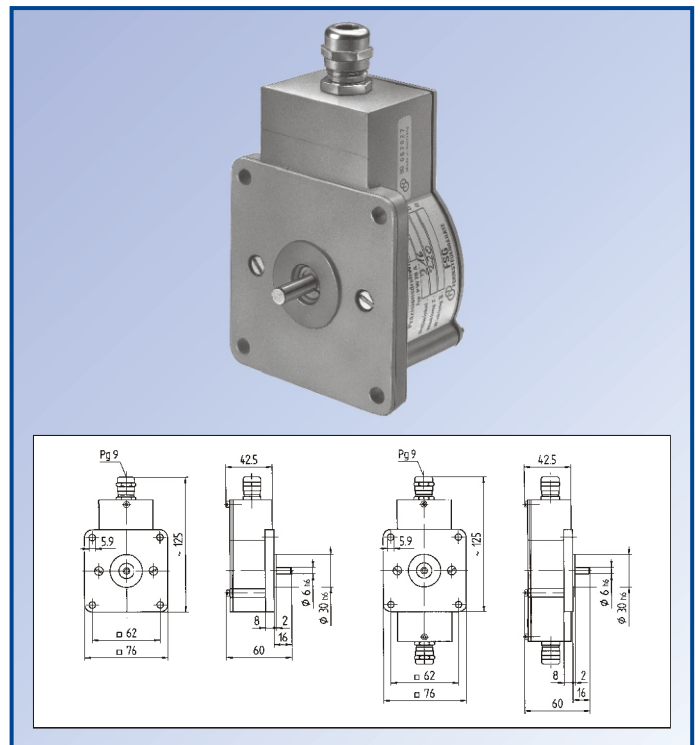
... Specifications

Series ...A

Mechanical data	
Casing	Alu, grey varnished coating
Degree of protection	IP 40 oder IP 65
Bearing friction	0,8 Ncm
Weight	approx. 0,5 ... 1 kg

Accepts all types of single-gang potentiometers series PW 70

... Models



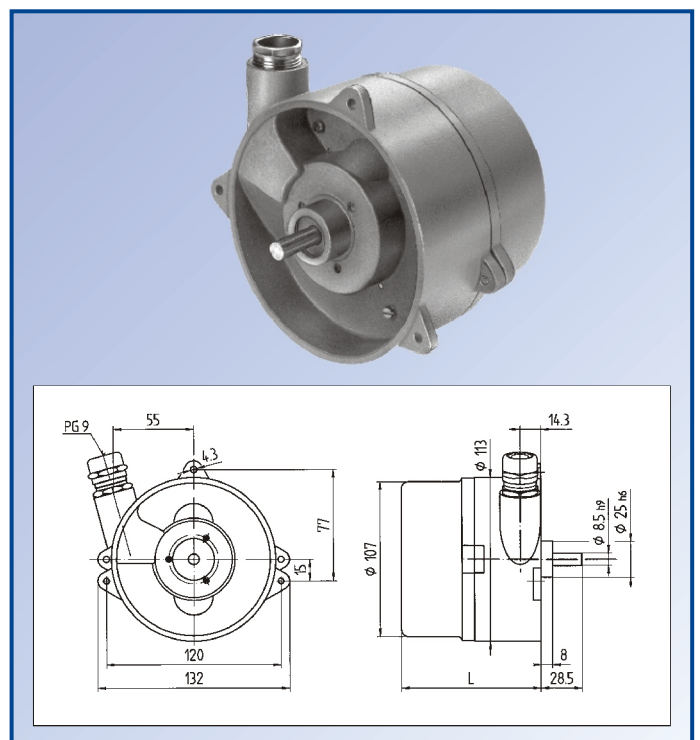
Series GS 110

Mechanical data	
Casing	Al, grey varnished coating
Degree of protection	IP 40 oder IP 65
Shaft material	stainless steel
Bearing	2 ball bearings
Weight	ca. 1 ... 2 kg

Accepts all sizes of transmitters up to an outside diameter of 80 mm

Length of casing	depends on the componets inside
Length L	78, 97, 145, 187 mm

Incorporating switches is possible



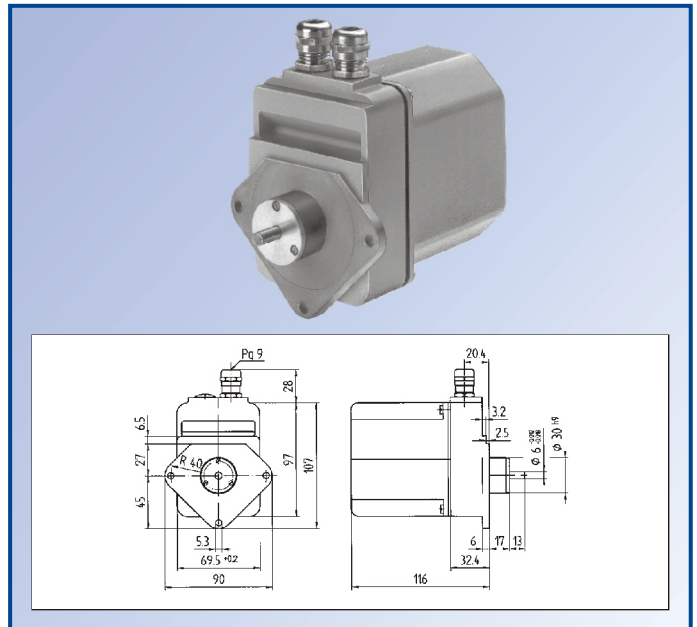
...Specifications

...Models

Series G 90

Mechanical data	
Casing	Al, grey varnished coating
Degree of protection	IP 40 or IP 65
Shaft material	stainless steel
Bearing	2 ball bearings
Bearing friction	IP 40 = 0,1 Ncm
	IP 65 = 1,5 Ncm
Gearing	1:1 to 1:10 backlash compensated
	1:1 to 25:1 backlash compensated
	26:1 to 125:1 reduced backlash
Weight	approx. 1 kg

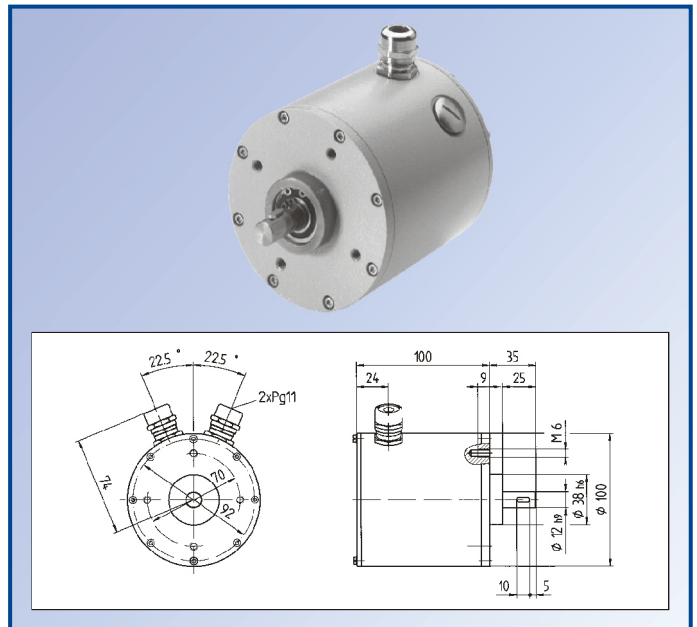
Accepts all sizes of transmitters up to an outside diameters of 54 mm



Series GS 100

Mechanical data	
Casing	Al, grey varnished coating
Degree of protection	IP 65
Shaft material	stainless steel
Bearing	2 ball bearings
Bearing friction	1,5 Ncm
Gearing	1:1 to 256:1 backlash compensated or reduced backlash
	1:10 backlash compensated
Weight	approx. 1,5 kg

Accepts transmitters size 13 and 20, servo mount



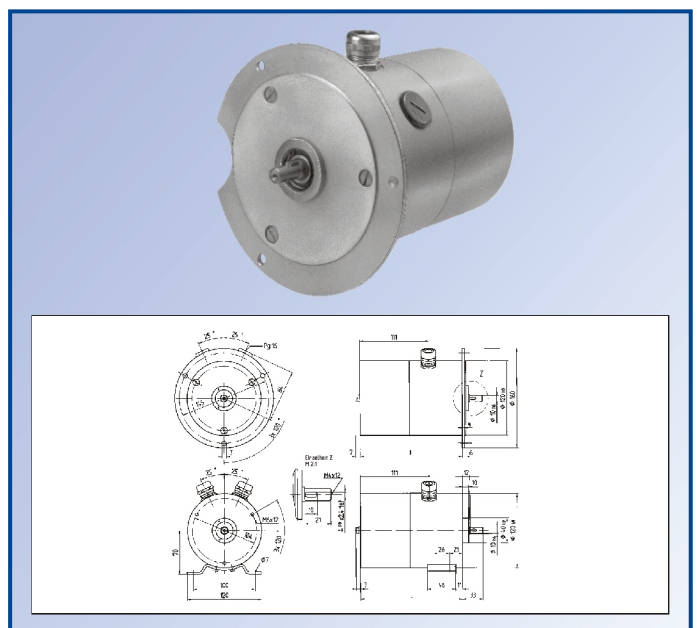
Series GS 120

Mechanical data	
Casing	Al, grey varnished coating
Degree of protection	IP 65
Shaft material	stainless steel
Bearing	2 ball bearings
Bearing friction	1,5 Ncm
Gearing	1:1 to 216:1 backlash compensated
	1:1 to 1296:1 reduced backlash
	1:1 to 1:10 backlash compensated
Weight	approx. 2,5 kg

Accepts all sizes of transmitters up to an outside diameters of 70 mm

Length L	163,8; 225; 286,2 mm
----------	----------------------

Incorporating switches is possible



...Specifications

Series GS 150

Mechanical data	
Casing	Al, grey varnished coating
Degree of protection	IP 40 or IP 65
Shaft material	stainless steel
Bearing	2 ball bearings
Bearing friction	4 Ncm
Gearing	1:1 to 1296:1 backlash compensated 1:1 to 1:10 backlash compensated
Weight	approx. 3 ... 8 kg

Accept all sizes of transmitters up to an outside diameter of 116 mm

Incorporating switches is possible

Length of casing	depends on the componets inside
L 1	from 59 mm up to 319 mm
L 2	D = 5 mm K1 = 72 mm, K2 = 144 mm, K3 = 174 mm

Series Ex d

Mechanical data run out series	
Casing	Al, grey varnished coating
Degree of protection	IP 54 or IP 65
Protection class	Exd3nG5
PTB-Nr.	PTB III B/E 17374
Shaft material	stainless steel
Bearing	2 ball bearings
Bearing friction	IP 54 0,8 Ncm
Gearing	1:1 to 10:1
Weight	approx. 3,5 ... 5 kg

Mechanical data new series (preliminary)

Casing	Al, grey varnished coating
Degree of protection	IP 65
Protection class	EExdIICT6
PTB-Nr.	PTB ...
Shaft material	stainless steel
Bearing	2 ball bearings
Bearing friction	1,5 Ncm
Gearing	-
Weight	approx. 5 kg

...Models

